

**Transmission & Distribution  
Material & Installation Specification**

**Distribution Cutouts**

**I. Quantity**

The base bid shall include the indicated number of distribution cutouts of this type furnished and installed as hereinafter specified.

**II. Material**

- A. The material shall be equal in quality, design, performance, and appearance to the items specified on drawing TDMIS-26.
- B. All steel hardware to be hot dipped galvanized.
- C. Distribution Cutouts - shall provide full-fault-spectrum protection for overhead distribution systems rated 14.4 KV Delta, whether applied on overhead transformers, capacitors, cables, or lines. Distribution cutouts shall be Hubbell Chance CP730114PB or engineer approved equal
- D. Fuse Links – See TDMIS-29.
- E. Single position bracket shall be Chance # C206-0193, or engineer approved equal.

**III. Installation**

- A. The installation shall be as shown on drawing TDMIS-26.
- B. Fuse links shall be selected by Engineer for the application.

**IV. Method of measurement**

Shall be included with various modules as required for a complete and operational module, or, when installed on an existing structure for independent use such as a tap or branch, shall be per each and shall include all hardware, risers, jumpers, connectors, hot line

clamps and stirrups, labor, equipment and miscellaneous required for a complete and operational device.

**V. Basis of payment**

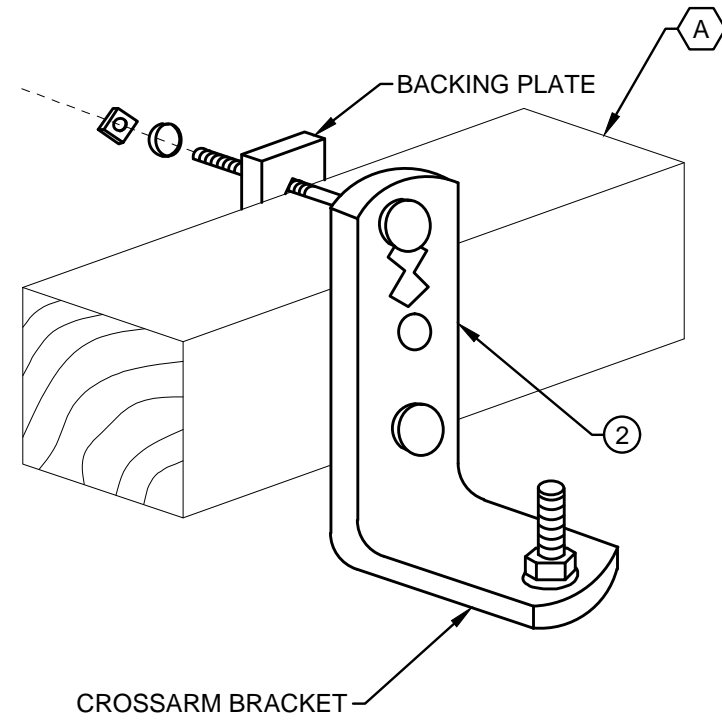
Items	Unit	Description
TDMIS-26	Two	Per single phase circuit
TDMIS-26	Three	Per three phase circuit

The pay items may also be required and included with other various modules.

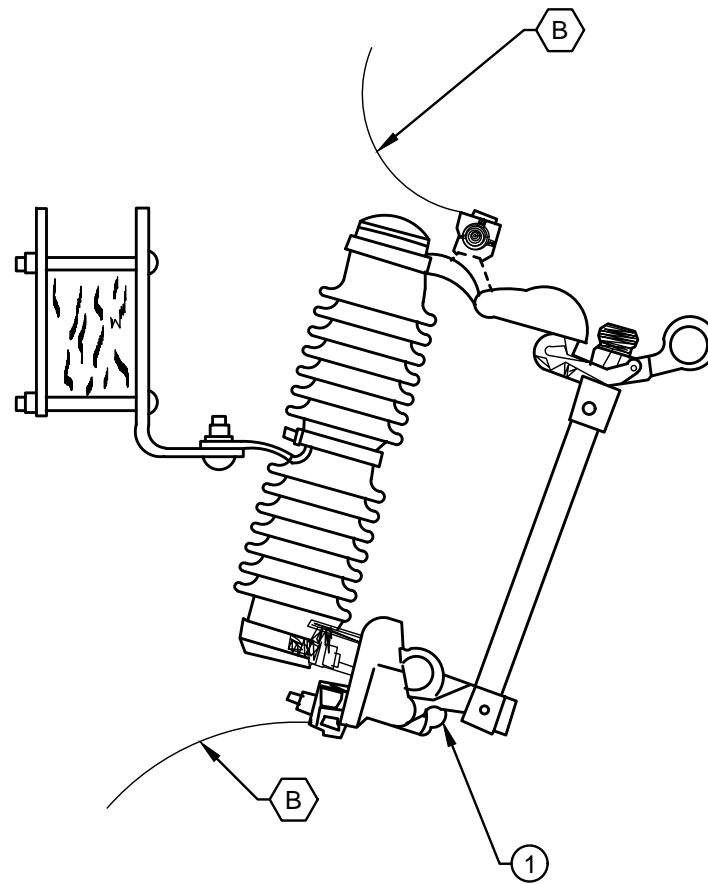
CITY OF COLUMBUS DEPT. OF PUBLIC UTILITIES – DIVISION OF POWER DISTRIBUTION CUTOUTS		
DRAWN BY: AEC	DATE: 01/01/2018	<b>TDMIS-26</b>
APPROVED: <i>[Signature]</i>		
	SHEET 1 of 2	

**CODED NOTES:**

- (A)** CONSTRUCTION UNITS LISTED INCLUDE ALL HARDWARE TO CONSTRUCT ASSEMBLIES AS SHOWN.
- (B)** JUMPERS, RISERS AND HOT LINE CLAMPS WITH STIRRUPS ARE TO BE INCLUDED WITH EACH ASSEMBLY



**DETAIL 1  
CROSSARM MOUNTING**



**DETAIL 2  
CUTOUT**

**SCHEDULE**

ITEM #	SUFFIX NO.	LENGTH	PART#
1	100L	15KV-100AMP LOAD BREAK	67690
1	200L	15KV-200AMP LOAD BREAK	20383

**ITEM LIST**

ITEM #	DESCRIPTION	PART #	QTY.
①	CUTOUT, CROSSARM MOUNTING	SEE SCH	1
②	BRACKET, CUTOUTS (NUTS, BOLTS, LOCK WASHERS ARE INCLUDED)	*	1

CITY OF COLUMBUS, OHIO  
DEPT. OF PUBLIC UTILITIES - DIVISION OF POWER

**DISTRIBUTION CUTOUT**

**MTCO**

DRAWN BY: AEC      DATE: 01/01/2018

APPROVED: *Red [Signature]*

SCALE: NTS

SHEET: 2 OF 2

**TDMIS-26**