

Transmission & Distribution
Material & Installation Specification

Screw Anchor

I. Quantity

The base bid shall include the indicated number of screw anchors of this type furnished and installed as hereinafter specified.

II. Material

- A. The material shall be equal in quality, design, performance, and appearance to the items specified on drawing TDMIS-112.
- B. All steel hardware to be hot dipped galvanized.
- C. Screw Anchor - Screw type, 1-1/2" sq. shaft, 5' length w/1-10" and 1-12" helix, galvanized steel, 24,000 lb. pullout. Chance # PO12642-EJ, Joslyn # J23382ACA or approved equal.
- D. Anchor Extension - 1-1/2" sq. shaft x 7' length, galvanized steel. Chance #12657, Joslyn # J23378.7 or approved equal.
- E. Anchor Extension - 1-1/2" sq. shaft x 3-1/2' length, galvanized steel, Chance # 12655, Joslyn # J23378.3 or approved equal.
- F. Adapter - Double eye for 1-1/2" sq. shaft, galvanized steel. Chance # C102-0024, Joslyn # J23365 or approved equal.

III. Installation

- A. The installation shall be as shown on drawing TDMIS-112.
- B. The anchor must penetrate into soil stiff enough for the required holding strength. Additional anchor extensions may be necessary to reach sufficiently stiff soils.

- C. The digger operator shall maintain constant downward pressure on the anchor as it is installed such that for each revolution of the anchor during installation the anchor advances at a rate equal to the pitch of the anchor's helix.
- D. Uniform advancement of the anchor is necessary to screw the anchor into the soil. Turning the anchor without advancement will cause flites to cavitate and have a negative impact on the anchor's holding capabilities.
- E. Anchors and extensions shall be installed in line with guy wire. The difference between the angle that the anchor is installed and the guy angle should not exceed +/-5 degrees.
- F. Anchors must be installed a minimum of 6 feet as measured along the anchor extension.
- G. Anchor extension rods should be installed so that the anchor eye is 6 to 12 inches above grade.
- H. Multiple anchor installations should be separated by a minimum of 5 feet.
- I. The anchor shall be installed approximately 25 feet from the pole or as indicated on the drawings. When an anchor must be moved due to an obstruction, every effort should be made to move it further from the pole than specified.

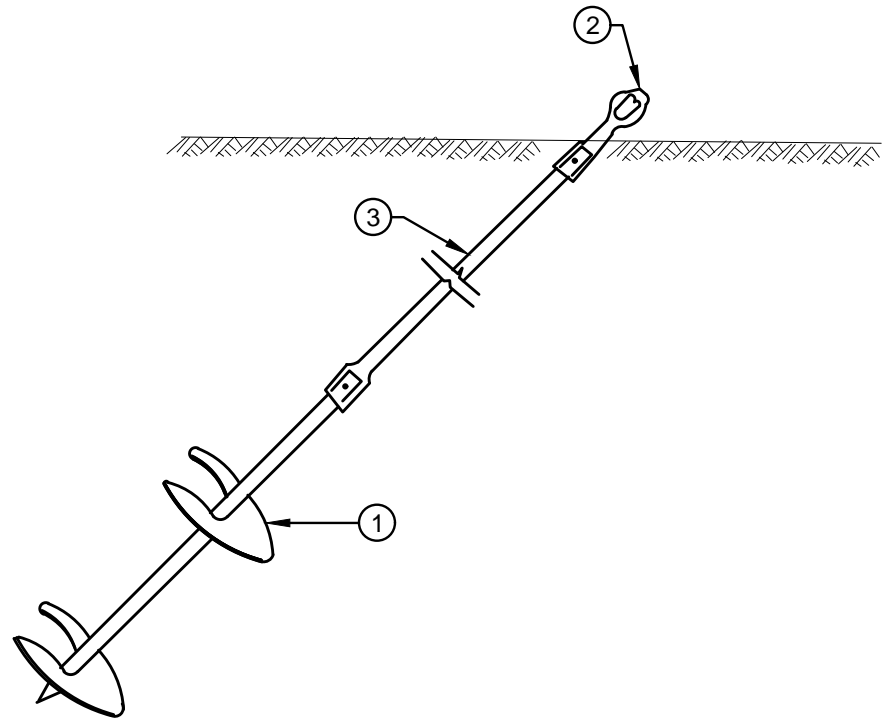
IV. Method of measurement

Anchors, extension rods and adapters, shall be included as component of various down guy and span guy modules.

V. Basis of payment

Shall be included within applicable modules.

CITY OF COLUMBUS DEPT. OF PUBLIC UTILITIES – DIVISION OF POWER SCREW ANCHOR		
DRAWN BY: AEC	DATE: 01/01/2018	TDMIS-112
APPROVED: <i>Karl Johnson</i>		
	SHEET 1 of 2	



DETAIL 1
SCREW ANCHOR (HELIX)

SCHEDULE

ITEM #	SUFFIX NO.	EXTENSION	EXTEN. PART #
2,3	1	3'-6"	19222
2,3	2	7'-0"	19223
2,3	4	3'-6"&7'-0"	19222&19223

ITEM LIST

ITEM #	DESCRIPTION	PART #	QTY.
①	ANCHOR, SCREW TYPE	19215	1
②	ADAPTER, TWIN OR "DOUBLE"	19207	1
③	SCREW ANCHOR EXTENSION (3'-6", 7'-0" OR 3'-6" & 7'-0")	SEE SCH	1

CITY OF COLUMBUS, OHIO
DEPT. OF PUBLIC UTILITIES - DIVISION OF POWER

SCREW ANCHOR

MPSA

DRAWN BY: AEC DATE: 01/01/2018

APPROVED: *[Signature]*

SCALE: NTS SHEET: 2 OF 2

TDMIS-112