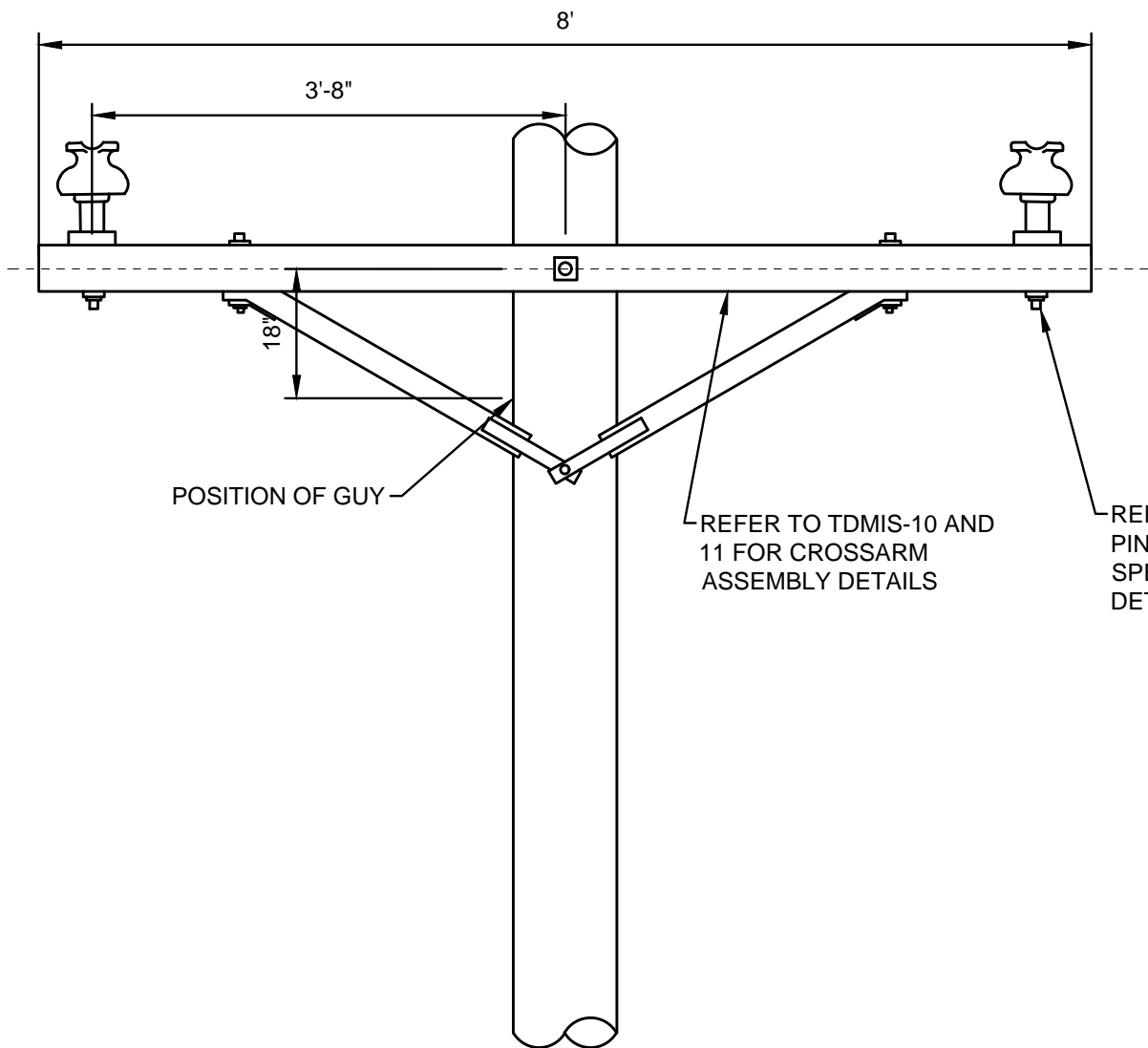
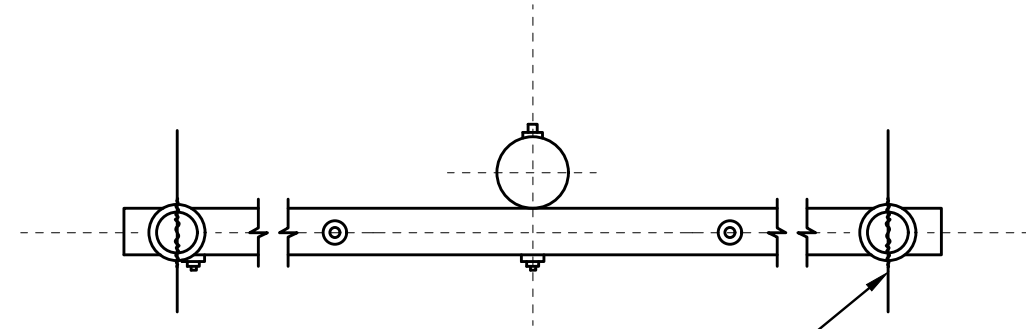


GENERAL NOTES:

1. THE CITY WILL PAY FOR ALL WORK INSTALLED AS SPECIFIED IN THIS DRAWING ACCORDING TO THE APPROPRIATE CONTRACT ITEMS FOR EACH COMPONENT OF THE WORK.



DETAIL 1
TANGENT AND ANGLES 0° TO 5°



REFER TO TDMIS-24&25 FOR
INSULATOR TIE DETAILS

DETAIL 2
PLAN VIEW

REFERENCE LIST	
TDMIS	DESCRIPTION
1	WOOD POLES
10	WOOD CROSSARM - WOOD BRACES
11	WOOD CROSSARM - STEEL BRACES
20	PIN AND PIN INSULATOR
24	COPPER CONDUCTOR HAND-MADE INSULATOR TIES
25	ALUMINUM CONDUCTOR HAND-MADE INSULATOR TIES

CITY OF COLUMBUS, OHIO
DEPT. OF PUBLIC UTILITIES - DIVISION OF POWER

TANGENT AND ANGLES UP TO 5 DEGREES
TWO PHASE CONSTRUCTION

THIS DRAWING IS FOR REFERENCE ONLY

DRAWN BY: AEC	DATE: 01/01/2018	TDMIS-200
APPROVED: <i>[Signature]</i>		
SCALE: NTS	SHEET: 1 OF 1	