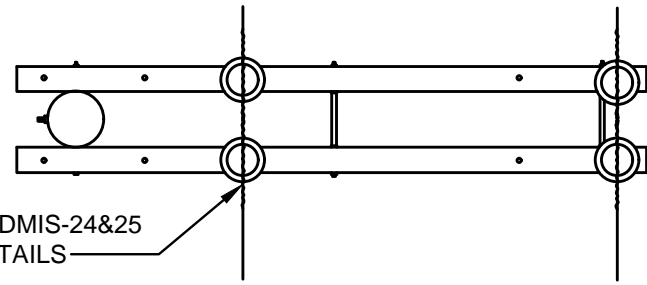
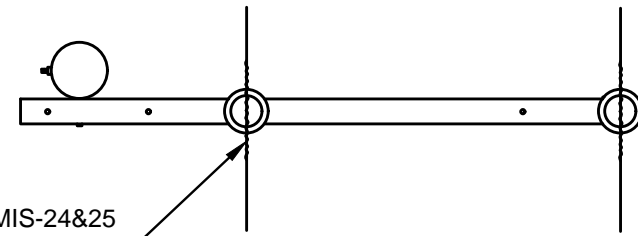


GENERAL NOTES:

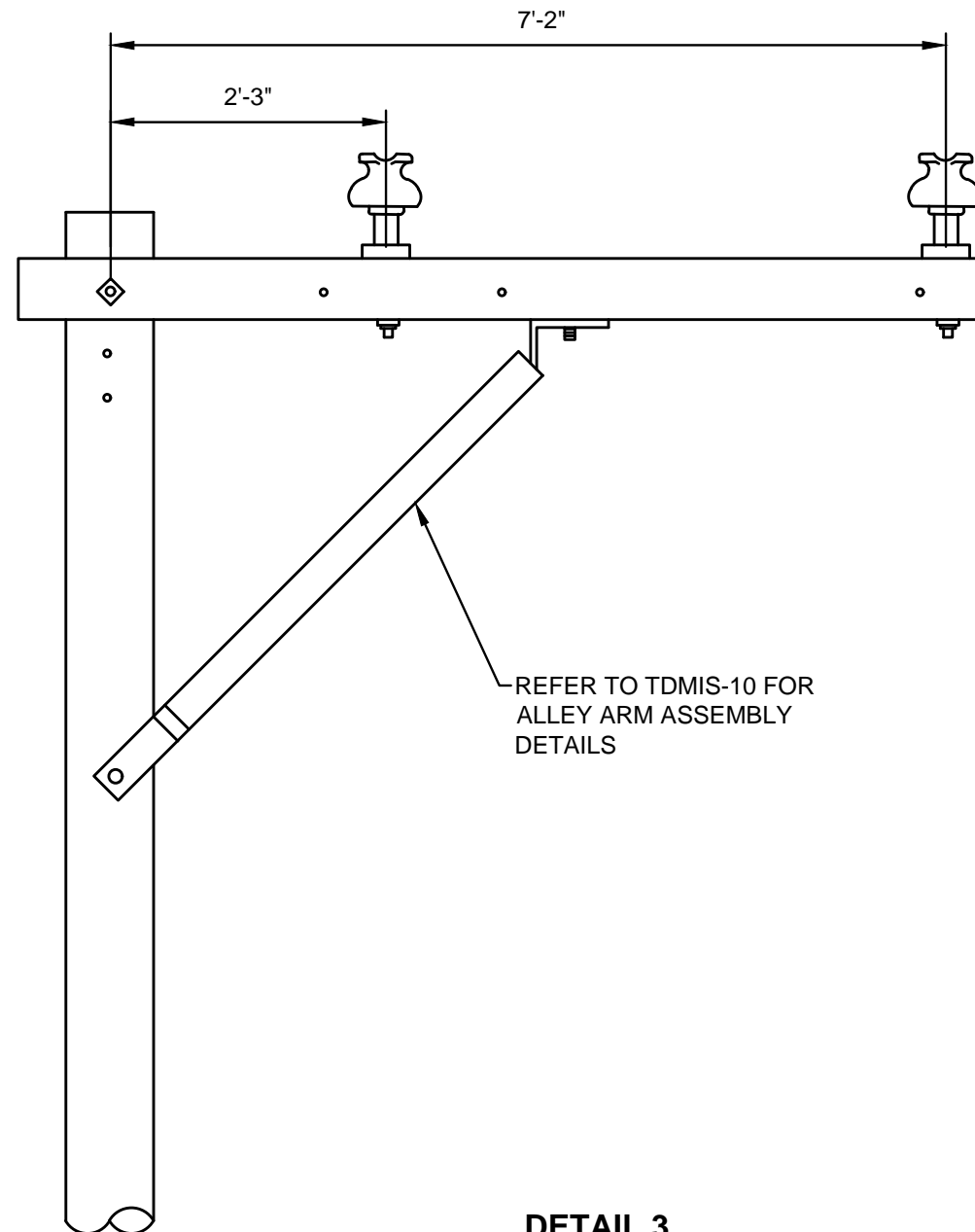
1. THE CITY WILL PAY FOR ALL WORK INSTALLED AS SPECIFIED IN THIS DRAWING ACCORDING TO THE APPROPRIATE CONTRACT ITEMS FOR EACH COMPONENT OF THE WORK.



DETAIL 1
PLAN VIEW - DOUBLE ARM



DETAIL 2
PLAN VIEW - SINGLE ARM



DETAIL 3
ALLEY ARM CONSTRUCTION

REFERENCE LIST

| TDMIS | DESCRIPTION |
|-------|---|
| 1 | WOOD POLES |
| 10 | WOOD CROSSARM - WOOD BRACES |
| 11 | WOOD CROSSARM - STEEL BRACES |
| 20 | PIN AND PIN INSULATOR |
| 24 | COPPER CONDUCTOR HAND-MADE INSULATOR TIES |
| 25 | ALUMINUM CONDUCTOR HAND-MADE INSULATOR TIES |

CITY OF COLUMBUS, OHIO
DEPT. OF PUBLIC UTILITIES - DIVISION OF POWER

ALLEY ARM CONSTRUCTION
2 PHASE CONSTRUCTION

| | |
|------------------------------|------------------|
| DRAWN BY: AEC | DATE: 01/01/2018 |
| APPROVED: <i>[Signature]</i> | |
| SCALE: NTS | SHEET: 1 OF 1 |

TDMIS-203

THIS DRAWING IS FOR REFERENCE ONLY