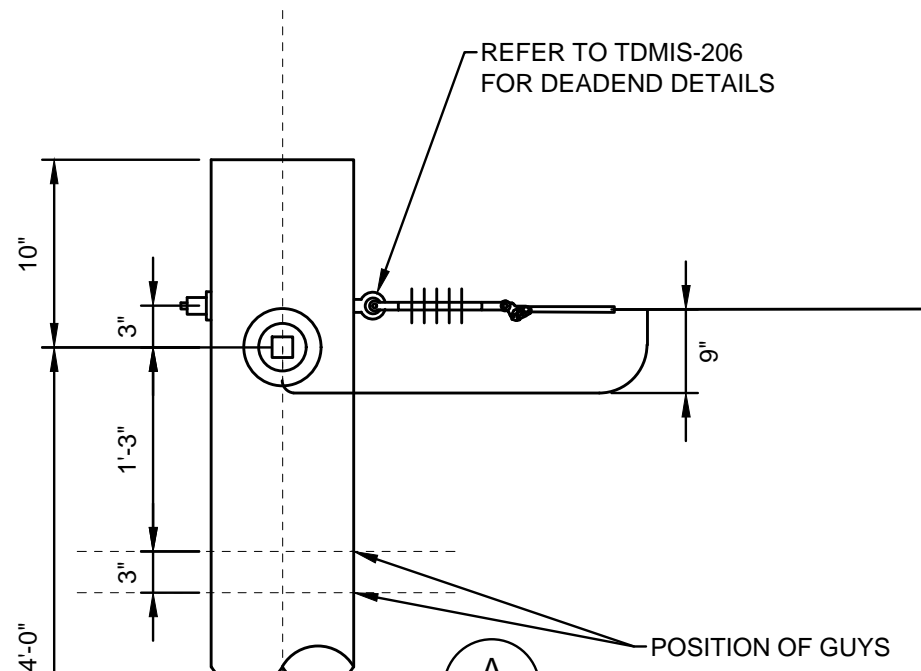
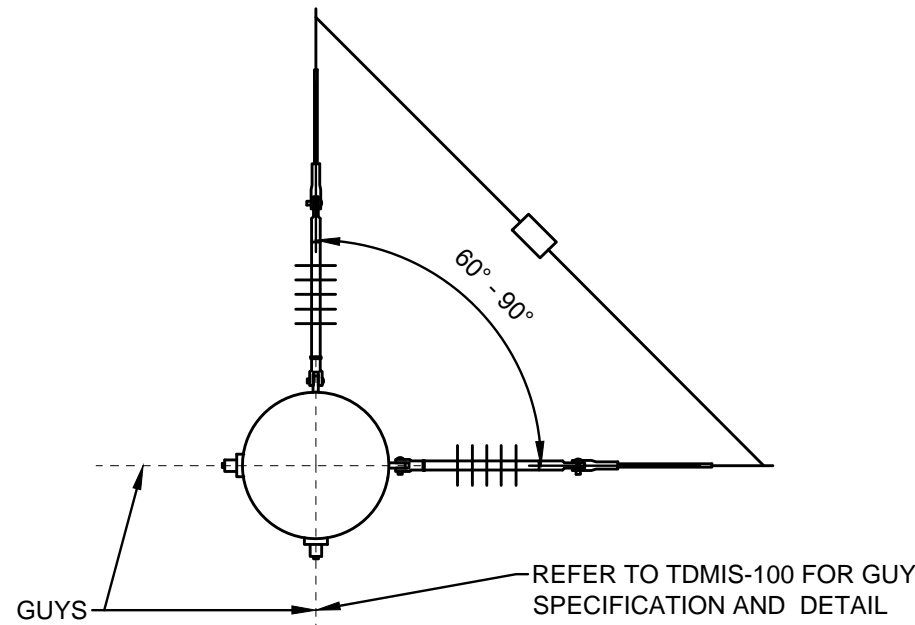


GENERAL NOTES:

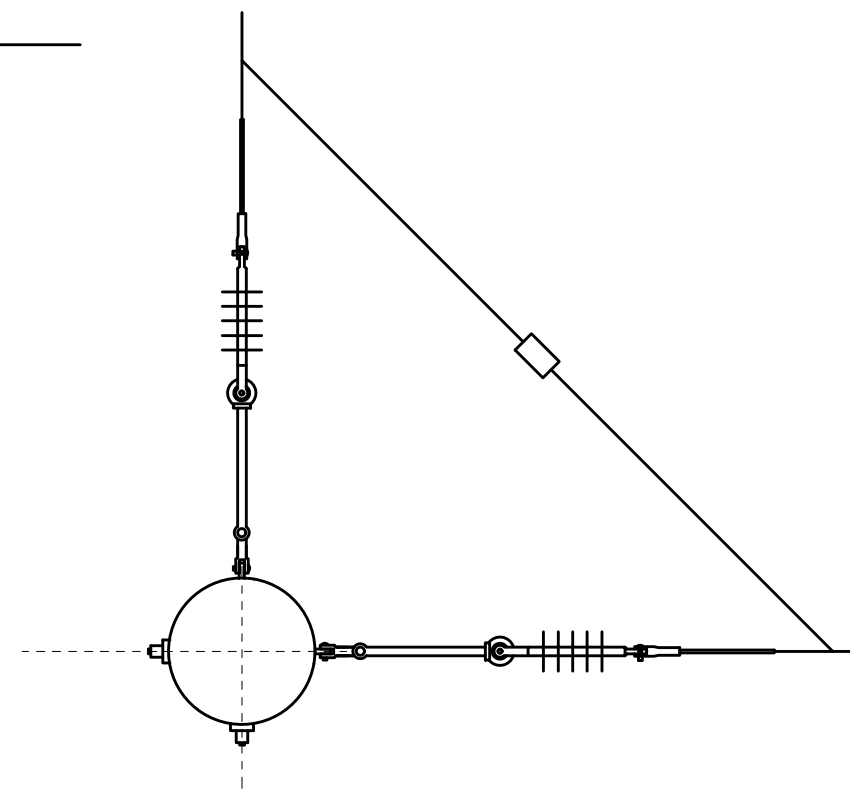
1. THE CITY WILL PAY FOR ALL WORK INSTALLED AS SPECIFIED IN THIS DRAWING ACCORDING TO THE APPROPRIATE CONTRACT ITEMS FOR EACH COMPONENT OF THE WORK.



DETAIL 1
LARGE LINE ANGLES, 60° - 90°



DETAIL 2
PLAN VIEW



SECTION A
DEADEND WITH EXTENSION LINK

REFERENCE LIST	
TDMIS	DESCRIPTION
1	WOOD POLES
206	DEADEND ASSEMBLIES
100	SINGLE DOWN GUY AND ANCHOR WITH INSULATOR

CITY OF COLUMBUS, OHIO DEPT. OF PUBLIC UTILITIES - DIVISION OF POWER	
LARGE LINE ANGLES, 60°-90° TWO PHASE CONSTRUCTION	
DRAWN BY: AEC	DATE: 01/01/2018
APPROVED: <i>[Signature]</i>	
SCALE: NTS	SHEET: 1 OF 1

TDMIS-204

THIS DRAWING IS FOR REFERENCE ONLY