

**Transmission & Distribution
Material & Installation Specification**

Deadend Assemblies

I. Quantity

The base bid shall include the indicated quantities of primary and neutral deadend assemblies of the type furnished and installed as hereinafter specified.

II. Material

A. The material and assembly components shall be as shown and scheduled on drawings TDMIS-206 or engineer approved equals.

III. Installation

A. Deadend assemblies shall be installed at locations indicated on project drawings as appropriate for phase and / or neutral conductors. Eye nuts shall have no less than 5 bolt threads showing inside eye after installation. Strain clamps shall be torqued per manufacturers recommendations.

IV. Method of measurement

Shall be for a complete and functional assembly and shall be included with various modules as shown or required for that module.
When the deadend assembly is added to an existing structure it shall be a single assembly module. Measurement shall include all components shown or required for a complete and operating module including designated parts, labor, equipment, tools and shall include conductor tensioning and guy pulling to leave conductors at initial sag and energized.

V. Basis of payment

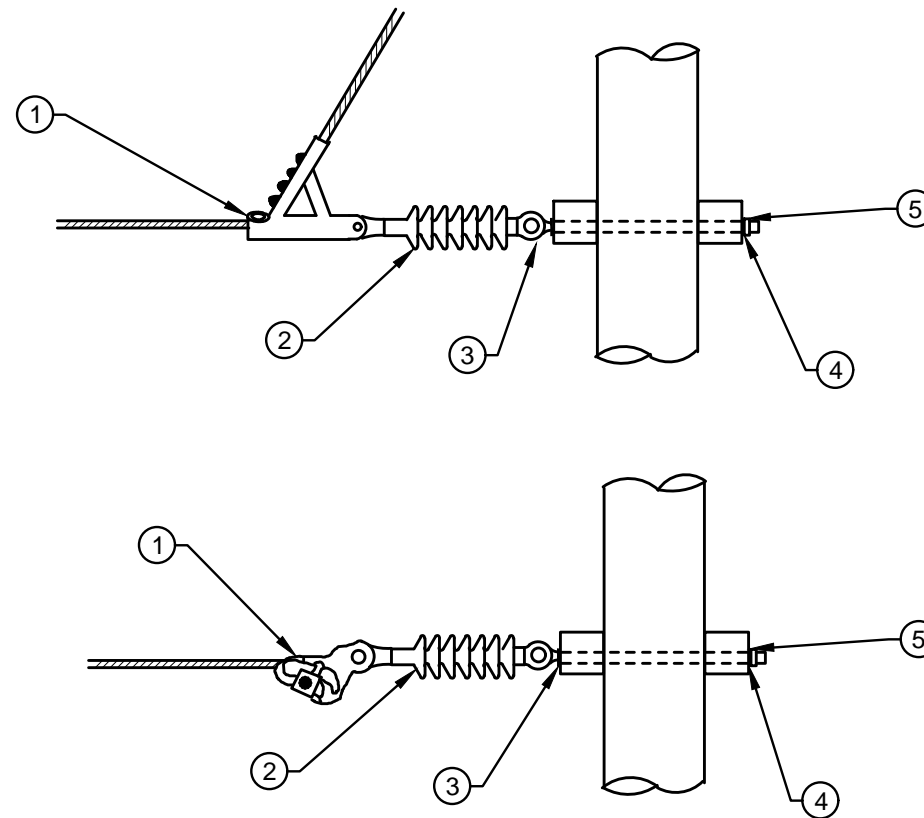
Shall be included with various modules that show or require dead end assemblies. When added to an existing structure, shall be:

| Items | Unit | Description |
|--------------|-------------|--------------------|
| TDMIS-206 | Each | Deadend assembly |

| | | |
|---|------------------|------------------|
| CITY OF COLUMBUS DEPT. OF PUBLIC UTILITIES – DIVISION OF POWER DEADEND ASSEMBLY | | |
| DRAWN BY: AEC | DATE: 01/01/2018 | TDMIS-206 |
| APPROVED: R. SPRITE | | |
| SHEET 1 of 4 | | |

CODED NOTES:

A FOR VERTICAL CONSTRUCTION, ANCHOR SHACKLE AND EXTENSION LINK REQUIRED ON LOWER PHASE TO PROVIDE CLIMBING CLEARANCE



DETAIL 1
CONDUCTOR POLE, DEADEND, CROSSARM

SCHEDULE

| ITEM # | SUFFIX NO. | DESCRIPTION | PART # | COMMENTS |
|--------|------------|----------------------------------|--------|------------------------|
| 1 | 1 | #6 THRU #4/0 COPPER OR ALUMINUM | 20333 | BABY SHOE |
| 1 | 2 | #2/0 THRU 336 ACSR ALUMINUM ONLY | 20334 | |
| 1 | 3 | #2 THRU #4/0 COPPER OR ALUMINUM | 20335 | STRAIGHT LINE DEADEND |
| 1 | 4 | #336 THRU 556 ACSR ALUMINUM ONLY | 20217 | USED FOR 336 ACSR ONLY |
| 1 | 5 | #6 THRU #2 COPPER | 53636 | STRAIGHT LINE DEADEND |
| 1 | 6 | #556 THRU 795 ACSR ALUMINUM ONLY | 20336 | |

ITEM LIST

| ITEM # | DESCRIPTION | PART # | QTY. |
|--------|--|---------|------|
| ① | CLAMP, STRAIN, CLEVIS (AS REQUIRED) | SEE SCH | 1 |
| ② | INSULATOR, DEADEND, POLYMER, 15KV, GRAY | 20243 | 1 |
| ③ | NUT, OVAL EYE 5/8" - 11 UNC | 18977 | 1 |
| ④ | WASHER, SQUARE FLAT, 2 1/4"X2 1/4"X3/16", 11/16" DIA. HOLE | 18901 | 1 |
| ⑤ | WASHER, SPRING LOCK, 11/16" DIA. HOLE, DOUBLE COIL | 18895 | 1 |

CITY OF COLUMBUS, OHIO
DEPT. OF PUBLIC UTILITIES - DIVISION OF POWER

**MODULE, CONDUCTOR POLE,
DEADEND
MCPDE**

DRAWN BY: AEC DATE: 01/01/2018

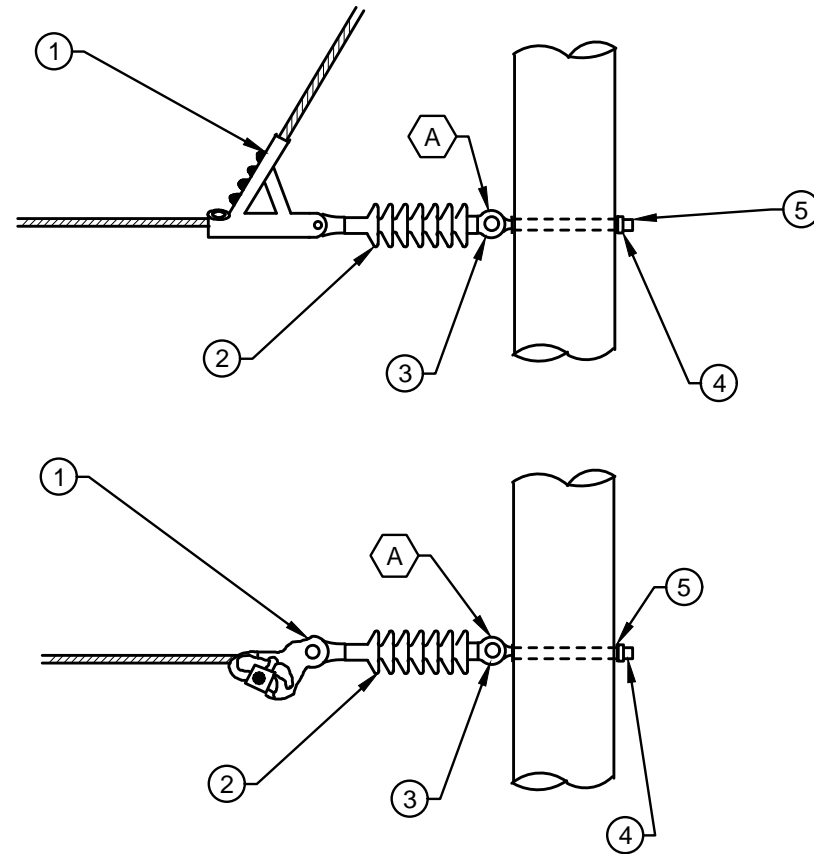
APPROVED: R. SPRITE

SCALE: NTS SHEET: 2 OF 4

TDMIS-206

CODED NOTES:

A FOR VERTICAL CONSTRUCTION, ANCHOR SHACKLE AND EXTENSION LINK REQUIRED ON LOWER PHASE TO PROVIDE CLIMBING CLEARANCE



DETAIL 2
CONDUCTOR POLE, DEADEND, POLE

SCHEDULE

| ITEM # | SUFFIX NO. | DESCRIPTION | PART # | COMMENTS |
|--------|------------|----------------------------------|--------|------------------------|
| 1 | 1 | #6 THRU #4/0 COPPER OR ALUMINUM | 20333 | BABY SHOE |
| 1 | 2 | #2/0 THRU 336 ACSR ALUMINUM ONLY | 20334 | |
| 1 | 3 | #2 THRU #4/0 COPPER OR ALUMINUM | 20335 | STRAIGHT LINE DEADEND |
| 1 | 4 | #336 THRU 556 ACSR ALUMINUM ONLY | 20217 | USED FOR 336 ACSR ONLY |
| 1 | 5 | #6 THRU #2 COPPER | 53636 | STRAIGHT LINE DEADEND |
| 1 | 6 | #556 THRU 795 ACSR ALUMINUM ONLY | 20336 | |

ITEM LIST

| ITEM # | DESCRIPTION | PART # | QTY. |
|--------|--|---------|------|
| ① | CLAMP, STRAIN, CLEVIS (AS REQUIRED) | SEE SCH | 1 |
| ② | INSULATOR, DEADEND, POLYMER, 15KV, GRAY | 20243 | 1 |
| ③ | NUT, OVAL EYE 5/8" - 11 UNC | 18977 | 1 |
| ④ | WASHER, SQUARE CURVED, 3"X3"X3/16", 11/16" DIA. HOLE | 18903 | 1 |
| ⑤ | WASHER, SPRING LOCK, 11/16" DIA. HOLE, DOUBLE COIL | 18895 | 1 |

CITY OF COLUMBUS, OHIO
DEPT. OF PUBLIC UTILITIES - DIVISION OF POWER

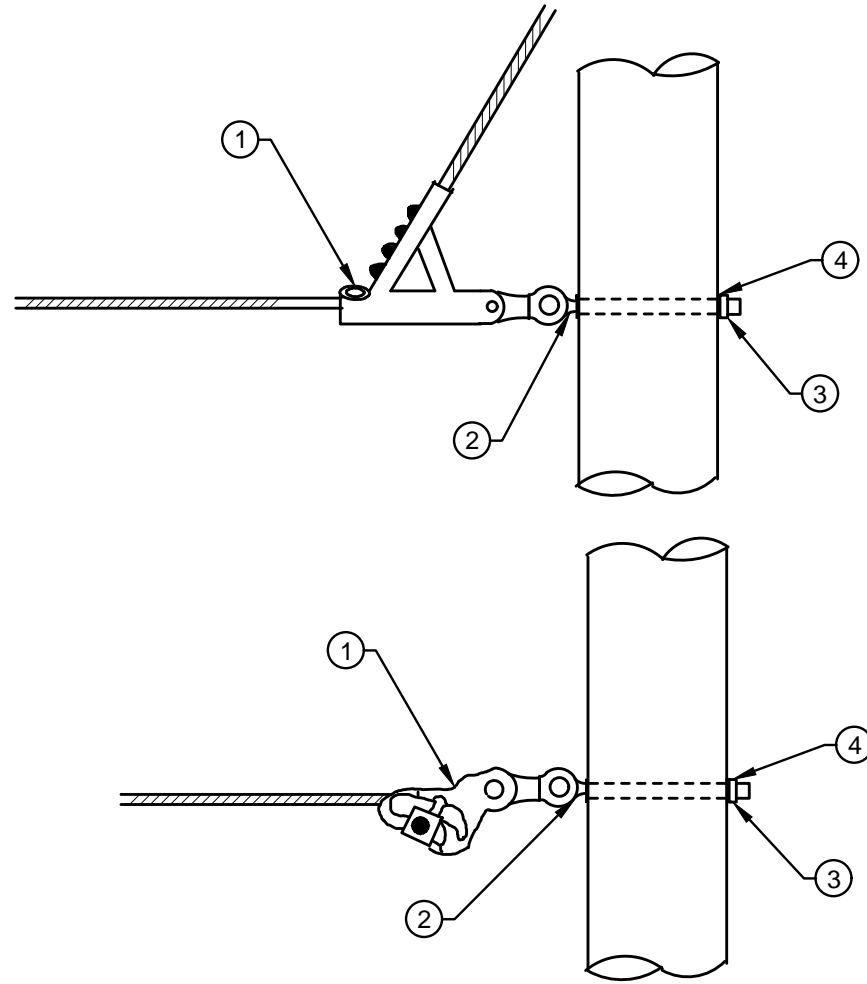
**MODULE, CONDUCTOR POLE,
DEADEND
MCPDE**

DRAWN BY: AEC DATE: 01/01/2018

APPROVED: R. SPRITE

SCALE: NTS SHEET: 3 OF 4

TDMIS-206



DETAIL 3
NEUTRAL CONDUCTOR POLE, DEADEND

SCHEDULE

| ITEM # | SUFFIX NO. | DESCRIPTION | PART # | COMMENTS |
|--------|------------|----------------------------------|--------|------------------------|
| 1 | 1 | #6 THRU #4/0 COPPER OR ALUMINUM | 20333 | BABY SHOE |
| 1 | 2 | #2/0 THRU 336 ACSR ALUMINUM ONLY | 20334 | |
| 1 | 3 | #2 THRU #4/0 COPPER OR ALUMINUM | 20335 | STRAIGHT LINE DEADEND |
| 1 | 4 | #336 THRU 556 ACSR ALUMINUM ONLY | 20217 | USED FOR 336 ACSR ONLY |
| 1 | 5 | #6 THRU #2 COPPER | 53636 | STRAIGHT LINE DEADEND |
| 1 | 6 | #556 THRU 795 ACSR ALUMINUM ONLY | 20336 | |

ITEM LIST

| ITEM # | DESCRIPTION | PART # | QTY. |
|--------|--|---------|------|
| ① | CLAMP, STRAIN, CLEVIS (AS REQUIRED) | SEE SCH | 1 |
| ② | BOLT, OVAL EYE 5/8"X12" | 18956 | 1 |
| ③ | WASHER, SQUARE CURVED, 3"X3"X3/16", 11/16" DIA. HOLE | 18903 | 1 |
| ④ | WASHER, SPRING LOCK, 11/16" DIA. HOLE, DOUBLE COIL | 18895 | 1 |

CITY OF COLUMBUS, OHIO
DEPT. OF PUBLIC UTILITIES - DIVISION OF POWER

**MODULE NEUTRAL CONDUCTOR POLE
DEADEND
MNCPDE**

DRAWN BY: AEC DATE: 01/01/2018

APPROVED: R. SPRITE

SCALE: NTS SHEET: 4 OF 4

TDMIS-206