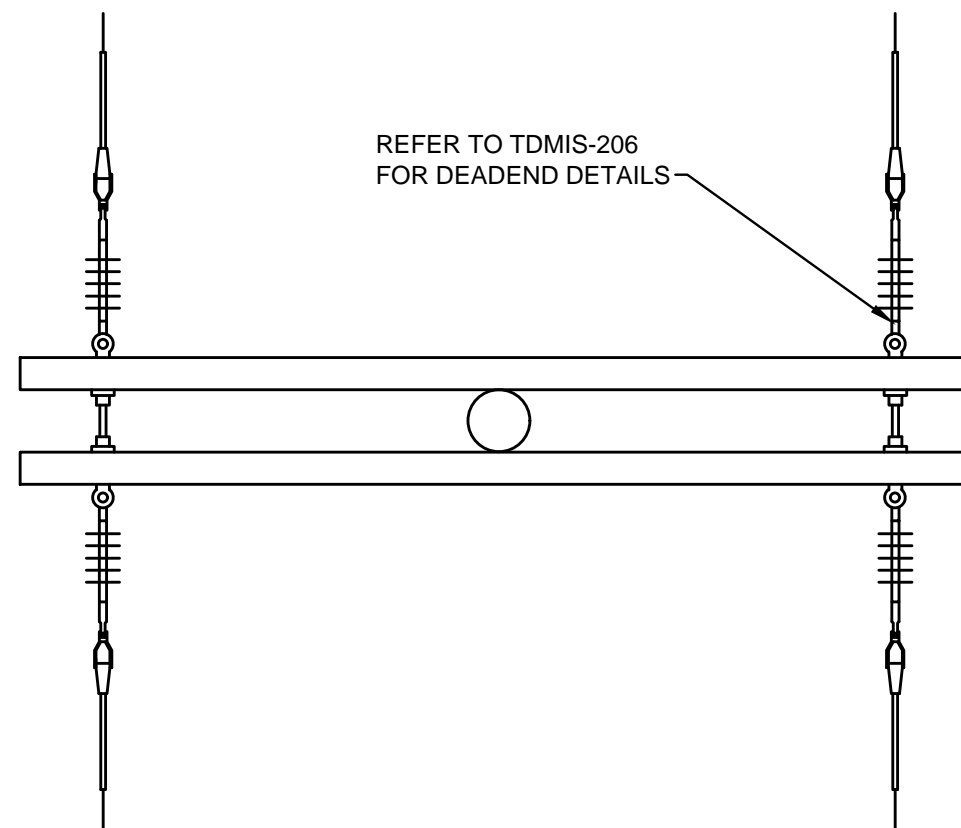


**DETAIL 1
DOUBLE DEADEND**



**DETAIL 2
PLAN VIEW**

GENERAL NOTES:

1. THE CITY WILL PAY FOR ALL WORK INSTALLED AS SPECIFIED IN THIS DRAWING ACCORDING TO THE APPROPRIATE CONTRACT ITEMS FOR EACH COMPONENT OF THE WORK.

REFERENCE LIST	
TDMIS	DESCRIPTION
1	WOOD POLES
10	WOOD CROSSARM - WOOD BRACES
11	WOOD CROSSARM - STEEL BRACES
206	DEADEND ASSEMBLIES

THIS DRAWING IS FOR REFERENCE ONLY

CITY OF COLUMBUS, OHIO
DEPT. OF PUBLIC UTILITIES - DIVISION OF POWER

**DOUBLE DEADEND
2 PHASE CONSTRUCTION**

DRAWN BY: AEC	DATE: 01/01/2018
APPROVED: <i>[Signature]</i>	
SCALE: NTS	SHEET: 1 OF 1

TDMIS-207