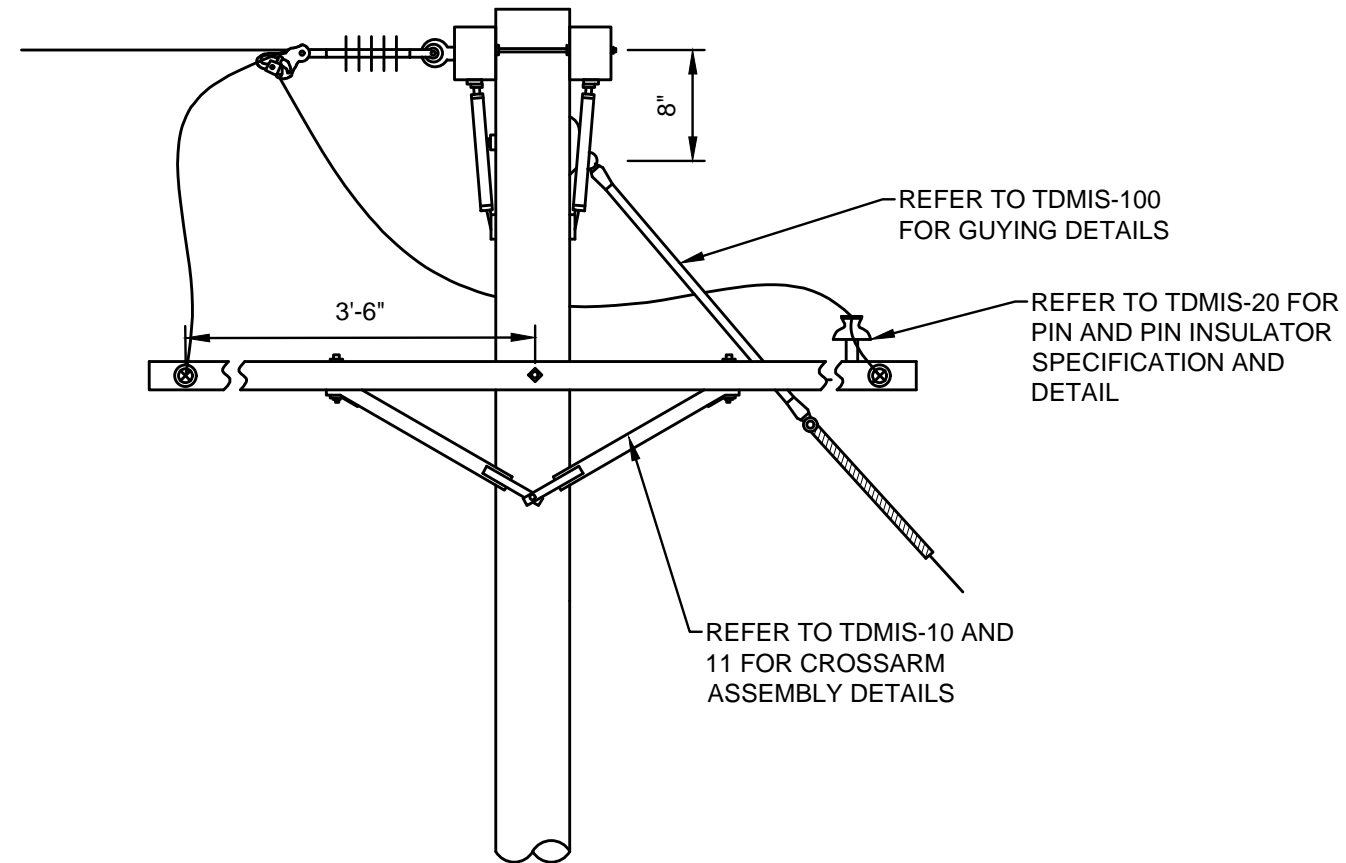
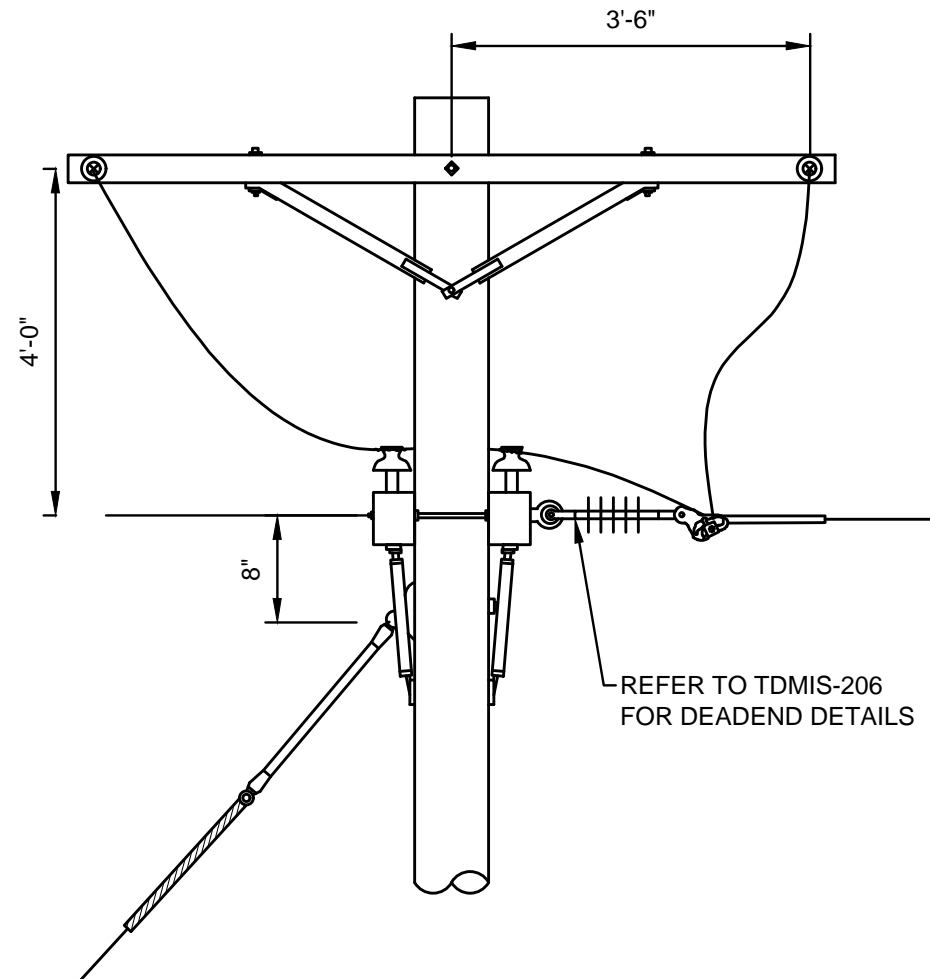
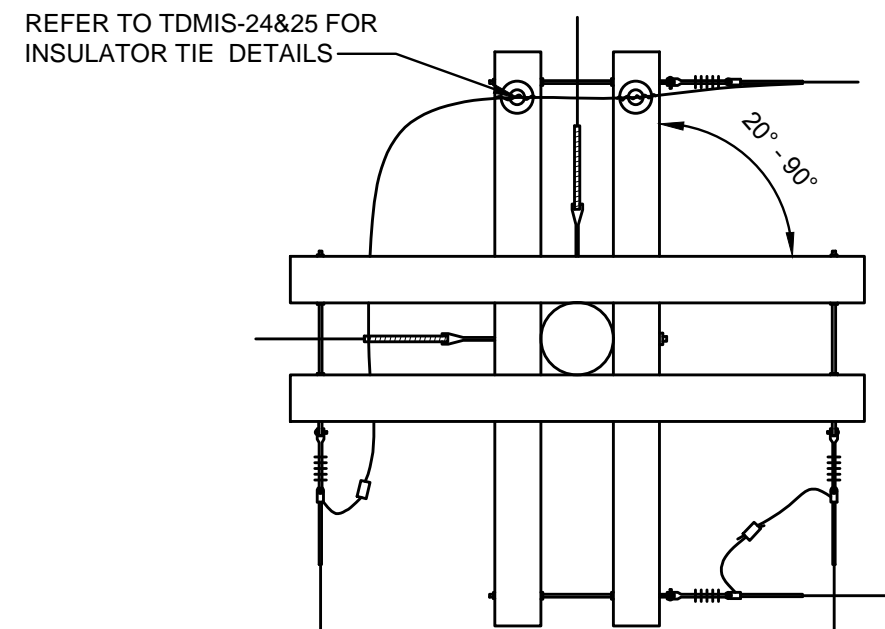


**GENERAL NOTES:**

1. THE CITY WILL PAY FOR ALL WORK INSTALLED AS SPECIFIED IN THIS DRAWING ACCORDING TO THE APPROPRIATE CONTRACT ITEMS FOR EACH COMPONENT OF THE WORK.



**DETAIL 1  
TWO WAY BUCK**



**DETAIL 2  
PLAN VIEW**

**REFERENCE LIST**

TDMIS	DESCRIPTION
1	WOOD POLES
10	WOOD CROSSARM - WOOD BRACES
11	WOOD CROSSARM - STEEL BRACES
20	PIN AND PIN INSULATOR
24	COPPER CONDUCTOR HAND-MADE INSULATOR TIES
25	ALUMINUM CONDUCTOR HAND-MADE INSULATOR TIES
100	SINGLE DOWN GUY & ANCHOR WITH INSULATOR
206	DEADEND ASSEMBLIES

CITY OF COLUMBUS, OHIO  
DEPT. OF PUBLIC UTILITIES - DIVISION OF POWER

**TWO WAY BUCK  
2 PHASE CONSTRUCTION**

THIS DRAWING IS FOR REFERENCE ONLY

DRAWN BY: AEC	DATE: 01/01/2018
APPROVED: R. SPRITE	
SCALE: NTS	SHEET: 1 OF 1

**TDMIS-209**