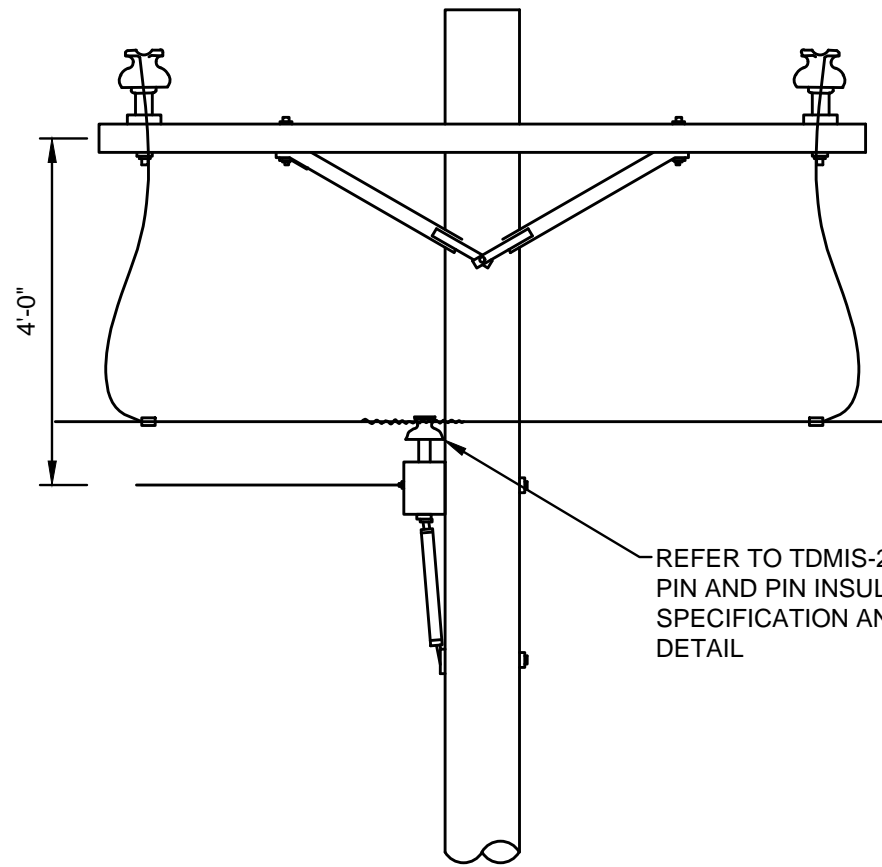
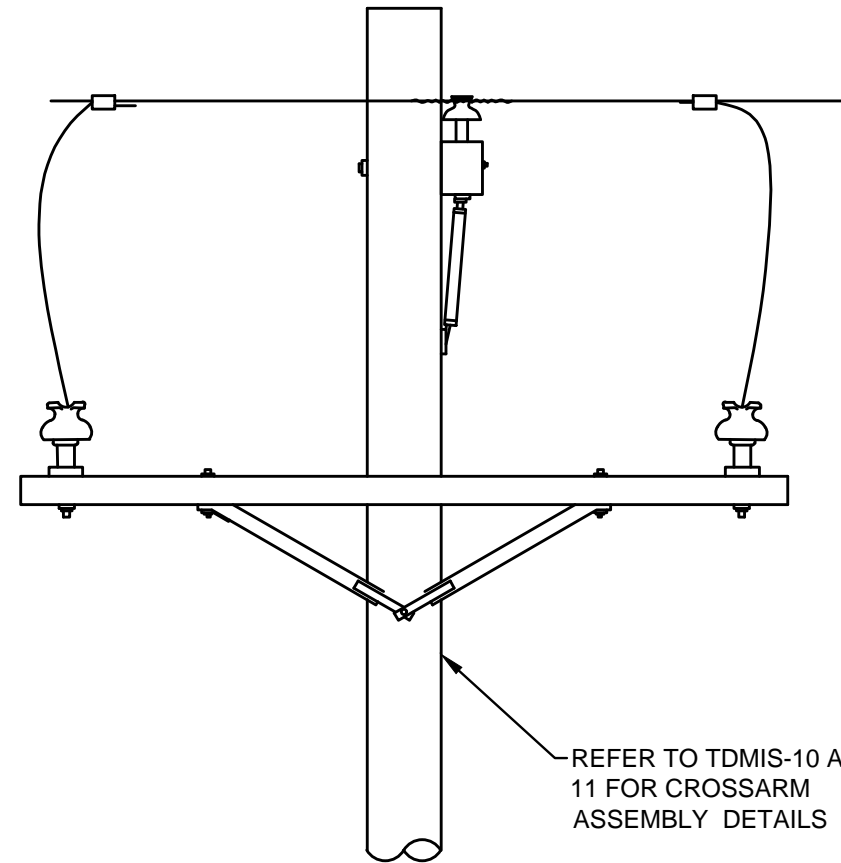


**GENERAL NOTES:**

1. THE CITY WILL PAY FOR ALL WORK INSTALLED AS SPECIFIED IN THIS DRAWING ACCORDING TO THE APPROPRIATE CONTRACT ITEMS FOR EACH COMPONENT OF THE WORK.



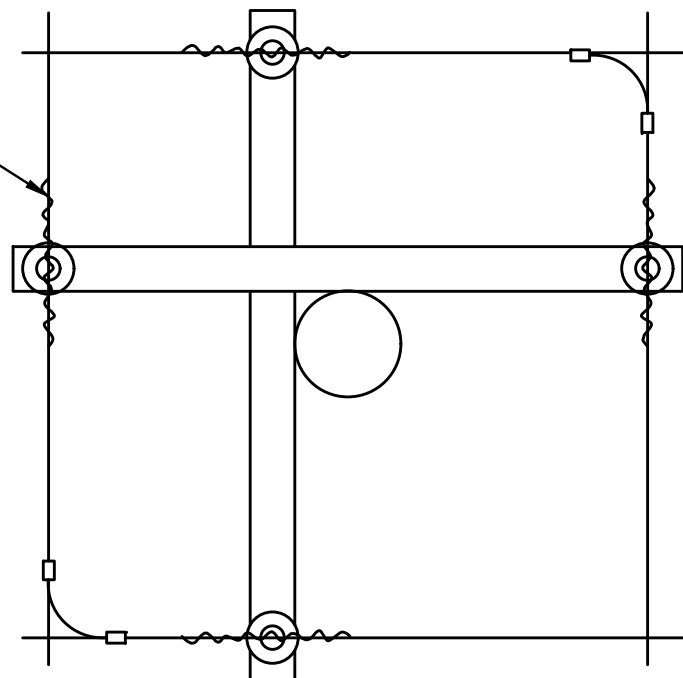
REFER TO TDMIS-20 FOR  
PIN AND PIN INSULATOR  
SPECIFICATION AND  
DETAIL



REFER TO TDMIS-10 AND  
11 FOR CROSSARM  
ASSEMBLY DETAILS

**DETAIL 1  
FOUR WAY CORNER**

REFER TO TDMIS-24&25 FOR  
INSULATOR TIE DETAILS



**DETAIL 2  
PLAN VIEW**

**REFERENCE LIST**

TDMIS	DESCRIPTION
1	WOOD POLES
10	WOOD CROSSARM - WOOD BRACES
11	WOOD CROSSARM - STEEL BRACES
20	PIN AND PIN INSULATOR
24	COPPER CONDUCTOR HAND-MADE INSULATOR TIES
25	ALUMINUM CONDUCTOR HAND-MADE INSULATOR TIES

THIS DRAWING IS FOR REFERENCE ONLY

CITY OF COLUMBUS, OHIO  
DEPT. OF PUBLIC UTILITIES - DIVISION OF POWER

**FOUR WAY CORNER  
2 PHASE CONSTRUCTION  
R. SPRITE**

DRAWN BY: AEC	DATE: 01/01/2018
APPROVED: <i>[Signature]</i>	
SCALE: NTS	SHEET: 1 OF 1

**TDMIS-210**