

**Transmission & Distribution
Material & Installation Specification**

**14" Spacer Cable Tangent Bracket
Tangent 5° or Less**

V. Basis of payment

Items	Unit	Description
TDMIS-300	Each	14" spacer cable tangent bracket, tangent 5° or less

I. Quantity

The base bid shall include the indicated number of 14" spacer cable tangent brackets furnished and installed as hereinafter specified.

II. Material

- A. 14" spacer cable tangent bracket- Supplied with messenger clamp for ½ inch to 9/16 inch messenger. Hendrix BM-14 or approved equal.
- B. Ground Wire - The ground wire shall be #6 solid soft drawn bare copper.
- C. Connectors - copper compression type.
- D. All steel hardware to be hot dipped galvanized.

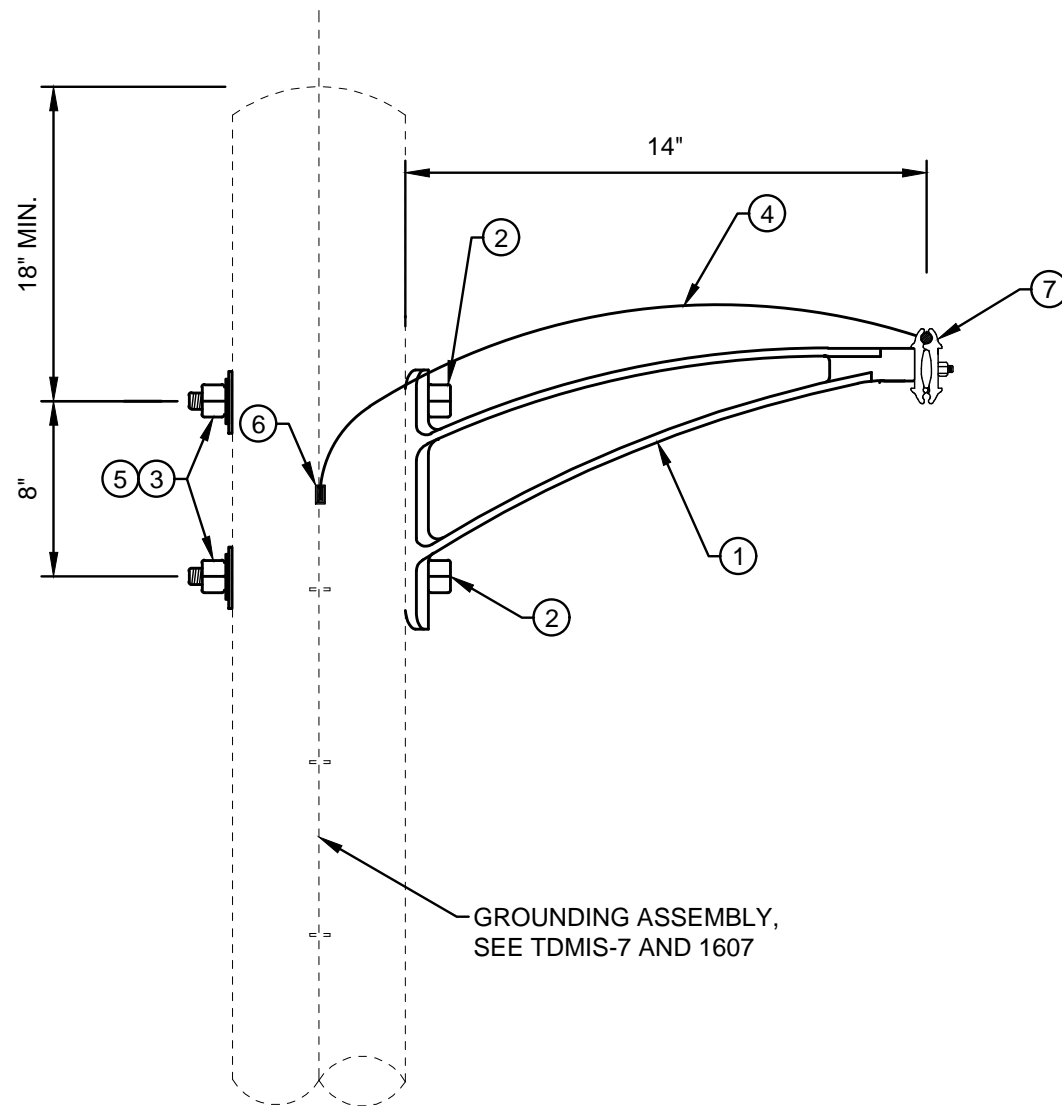
III. Installation

- A. The installation shall be as shown on drawing TDMIS-300.
- B. The 14" bracket shall be used under normal circumstances, on tangent poles and line angles up to, and including, five (5) degrees, to attach the messenger wire to the pole. Cable spacers (see TDMIS-310) are then used to support the spacer cable from the messenger.

IV. Method of measurement

Shall be per each completed assembly including bracket, bolts, washers, ground connections, tools, labor, equipment and all miscellaneous required for a complete and operational module.

CITY OF COLUMBUS DEPT. OF PUBLIC UTILITIES – DIVISION OF POWER 14" SPACER CABLE TANGENT BRACKET TANGENT 5° OR LESS		
DRAWN BY: AEC	DATE: 01/01/2018	TDMIS-300
APPROVED: <i>[Signature]</i>		
	SHEET 1 of 2	



DETAIL 1
14" SPACER CABLE TANGENT BRACKET

REFERENCE LIST

TDMIS	DESCRIPTION
1	WOOD POLES
7	OVERHEAD DISTRIBUTION CIRCUIT GROUNDING
1607	GROUND ROD TEST

ITEM LIST

ITEM #	DESCRIPTION	PART #	QTY.
①	MESSENGER BRACKET, HENDRIX TYPE BM-14	19649	1
②	MACHINE BOLT, 5/8" X LENGTH AS REQUIRED	42369	2
③	SQUARE WASHER, 2 1/4"X2 1/4"X3/16" SQ. CURVED	18897	2
④	GROUND WIRE, SOFT DRAWN COPPER, SOLID, #6 CU	20082	2
⑤	WASHER, SPRING LOCK, DOUBLE COIL, GALVANIZED	18895	2
⑥	CONNECTOR, (SIZE AND TYPE AS REQUIRED)	19628	1
⑦	CONNECTOR, COMPRESSION, #6 - #2/0	19629	1

CITY OF COLUMBUS, OHIO
 DEPT. OF PUBLIC UTILITIES - DIVISION OF POWER

14" SPACER CABLE TANGENT BRACKET
 TANGENT 5° OR LESS
 MSCTB14

DRAWN BY: AEC DATE: 01/01/2018

APPROVED: *[Signature]*

SCALE: NTS SHEET: 2 OF 2

TDMIS-300