

**Transmission & Distribution**  
**Material & Installation Specification**

**24" Spacer Cable Tangent Bracket**  
**Tangent 5° or Less**

**I. Quantity**

The base bid shall include the indicated number of 24" spacer cable tangent brackets furnished and installed as hereinafter specified.

**II. Material**

- A. 24" spacer cable tangent bracket- Supplied with messenger clamp for ½ inch to 9/16 inch messenger. Hendrix BM-24 or approved equal.
- B. Ground Wire - The ground wire shall be #6 solid soft drawn bare copper.
- C. Connectors - copper compression type.
- D. All steel hardware to be hot dipped galvanized.

**III. Installation**

- A. The installation shall be as shown on drawing TDMIS-301.
- B. The 24" bracket shall be used on tangent poles and line angles up to and including five (5) degrees, to attach the messenger wire to the pole. Cable spacers (see TDMIS-310) are then used to support the spacer cable from the messenger.
- C. The 24" bracket can be used in lieu of a 14" bracket where a longer bracket would reduce a line angle or where the conductor needs to be farther from the pole.

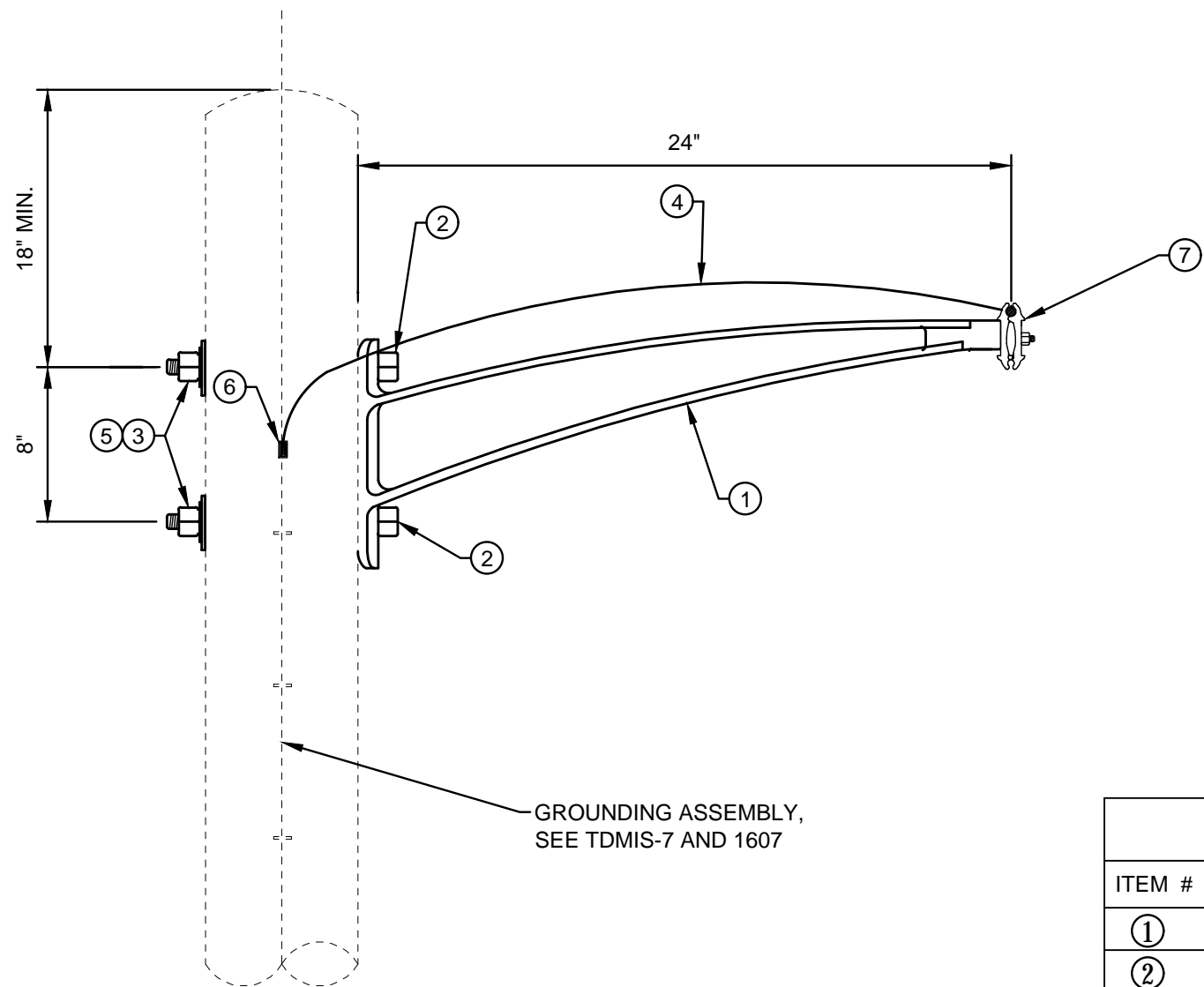
**IV. Method of measurement**

Shall be per each completed assembly including bracket, bolts, washers, ground connections, tools, labor, equipment and all miscellaneous required for a complete and operational module.

**V. Basis of payment**

Items	Unit	Description
TDMIS-301	Each	24" spacer cable tangent bracket, tangent 5° or less

CITY OF COLUMBUS DEPT. OF PUBLIC UTILITIES – DIVISION OF POWER 24" SPACER CABLE TANGENT BRACKET TANGENT 5° OR LESS		
DRAWN BY: AEC	DATE: 01/01/2018	<b>TDMIS-301</b>
APPROVED: <i>[Signature]</i>		
	SHEET 1 of 2	



**DETAIL 1**  
**24" SPACER CABLE TANGENT BRACKET**

**REFERENCE LIST**

TDMIS	DESCRIPTION
1	WOOD POLES
7	OVERHEAD DISTRIBUTION CIRCUIT GROUNDING
1607	GROUND ROD TEST

**ITEM LIST**

ITEM #	DESCRIPTION	PART #	QTY.
①	MESSENGER BRACKET, HENDRIX TYPE BM-24	19650	1
②	MACHINE BOLT, 5/8" X LENGTH AS REQUIRED	42369	2
③	SQUARE WASHER, 2 1/4"X2 1/4"X3/16" SQ. CURVED	18897	2
④	GROUND WIRE, SOFT DRAWN COPPER, SOLID, #6 CU	20082	3
⑤	WASHER, SPRING LOCK, DOUBLE COIL, GALVANIZED	18895	2
⑥	CONNECTOR, (SIZE AND TYPE AS REQUIRED)	19628	1
⑦	CONNECTOR, COMPRESSION, #6 - #2/0	19629	1

CITY OF COLUMBUS, OHIO  
 DEPT. OF PUBLIC UTILITIES - DIVISION OF POWER

**24" SPACER CABLE TANGENT BRACKET**  
**TANGENT 5° OR LESS**  
**MSCTB24**

DRAWN BY: AEC      DATE: 01/01/2018

APPROVED: *[Signature]*

SCALE: NTS      SHEET: 2 OF 2

**TDMIS-301**