

Transmission & Distribution
Material & Installation Specification

14" Spacer Cable Tangent Bracket with
Anti-Sway Bracket, Tangent 5° or Less

I. Quantity

The base bid shall include the indicated number of 14" spacer cable tangent brackets with anti-sway bracket furnished and installed as hereinafter specified.

II. Material

- A. 14" spacer cable tangent bracket- Supplied with messenger clamp for ½ inch to 9/16 inch messenger. Hendrix BM-14 or approved equal.
- B. Ground Wire - The ground wire shall be #6 solid soft drawn bare copper.
- C. Connectors - Copper compression type.
- D. Tangent Bracket Stirrup - Hot dipped galvanized. Hendrix TS-1 or approved equal.
- E. Spacer - High density polyethylene. Hendrix RTL-15 or approved equal.
- F. Anti-Sway Bracket - High density polyethylene. Hendrix BAS-14F or approved equal.
- G. All steel hardware to be hot dipped galvanized.

III. Installation

- A. The installation shall be as shown on drawing TDMIS-302.
- B. The 14" tangent bracket with anti-sway bracket shall be used to stabilize spacers, supporting the spacer cable, on tangent poles and line angles up and including to five (5) degrees.

- C. Typical applications are at transformer tap poles to stabilize the spacer, thus eliminating the flex of the transformer lead wire and to allow the spacer to remain vertical on poles with a slight angle up to and including 5 degrees.

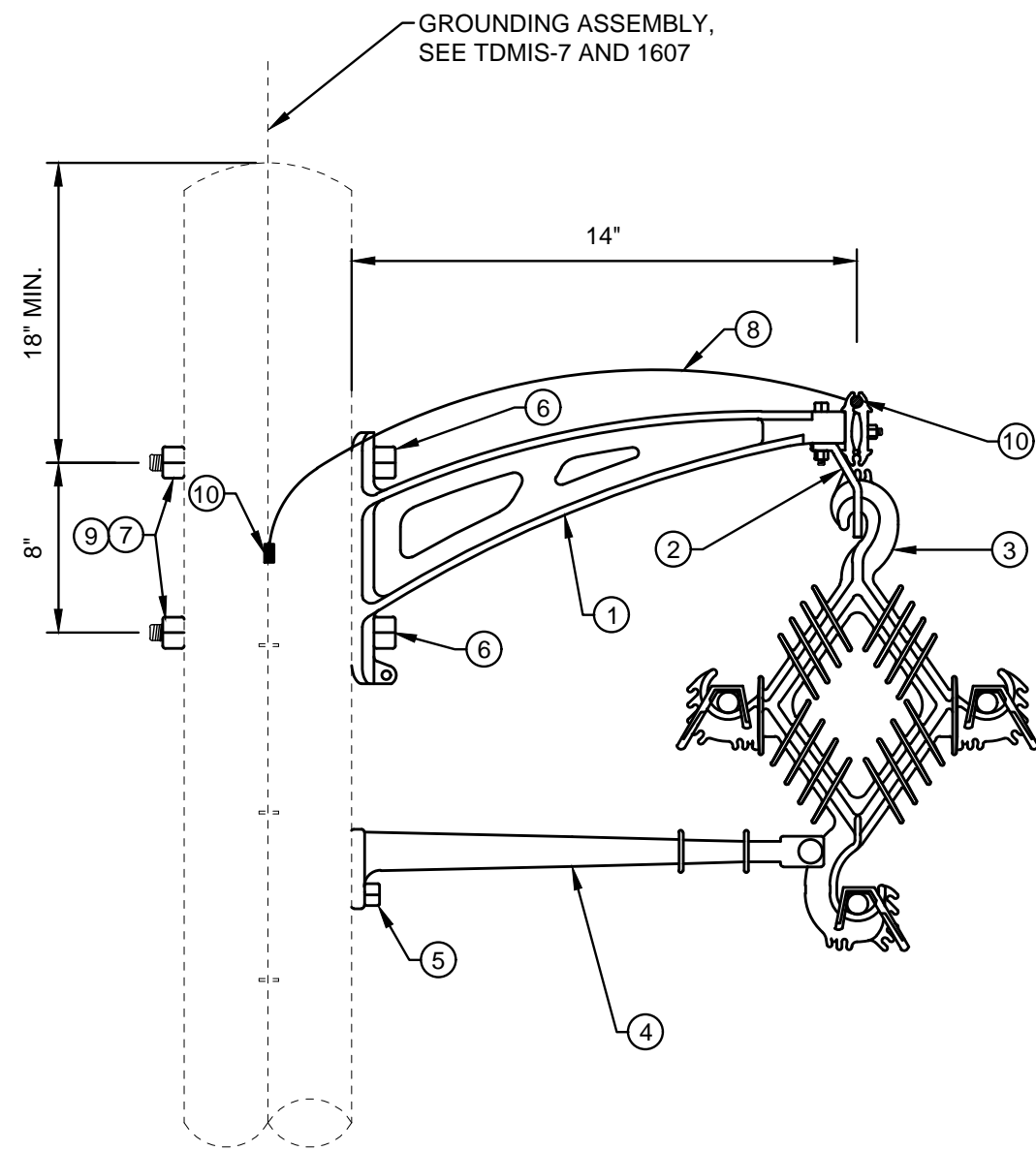
IV. Method of measurement

Shall be per each completed assembly including bracket, bolts, washers, ground connections, tools, labor, equipment and all miscellaneous required for a complete and operational module.

V. Basis of payment

Items	Unit	Description
TDMIS-302	Each	14" spacer cable tangent bracket with anti-sway bracket, tangent 5° or less

CITY OF COLUMBUS DEPT. OF PUBLIC UTILITIES – DIVISION OF POWER 14" SPACER CABLE TANGENT BRACKET W/ ANTI-SWAY BRACKET, TANGENT 5° OR LESS		
DRAWN BY: AEC	DATE: 01/01/2018	TDMIS-302
APPROVED: <i>[Signature]</i>		
	SHEET 1 of 2	



DETAIL 1

14" SPACER CABLE TANGENT BRACKET, WITH ANTI-SWAY BRACKET

REFERENCE LIST

TDMIS	DESCRIPTION
1	WOOD POLES
7	OVERHEAD DISTRIBUTION CIRCUIT GROUNDING
1607	GROUND ROD TEST

ITEM LIST

ITEM #	DESCRIPTION	PART #	QTY.
①	MESSENGER BRACKET, HENDRIX TYPE BM-14	19649	1
②	STIRRUP, (HENDRIX TYPE TS-1), SUPPL. W/ 1/2" BOLT AND SELF-LOCK NUT	20325	1
③	SPACER WITH CLAMPS	20322	1
④	ANTI-SWAY BAR, HENDRIX TYPE BAS-14F, SUPPLIED WITH PLASTIC BOLT	19645	1
⑤	LAG SCREW, FETTER DRIVE, 1/2"X5"	18985	1
⑥	MACHINE BOLT, 5/8" X REQUIRED LENGTH	42369	2
⑦	SQUARE WASHER, 2 1/4"X2 1/4"X3/16" SQ. CURVED	18897	2
⑧	GROUND WIRE, SOFT DRAWN COPPER, SOLID, #6 CU	20082	2
⑨	WASHER, SPRING LOCK, DOUBLE COIL, GALVANIZED	18895	2
⑩	CONNECTOR, (SIZE AND TYPE AS REQUIRED)	42373	2

CITY OF COLUMBUS, OHIO
DEPT. OF PUBLIC UTILITIES - DIVISION OF POWER

**14" SPACER CABLE TANGENT BRACKET W/
ANTI-SWAY BRACKET, TANGENT 5° OR LESS
MSCBAS14**

DRAWN BY: AEC DATE: 01/01/2018

APPROVED: *[Signature]*

SCALE: NTS

SHEET: 2 OF 2

TDMIS-302