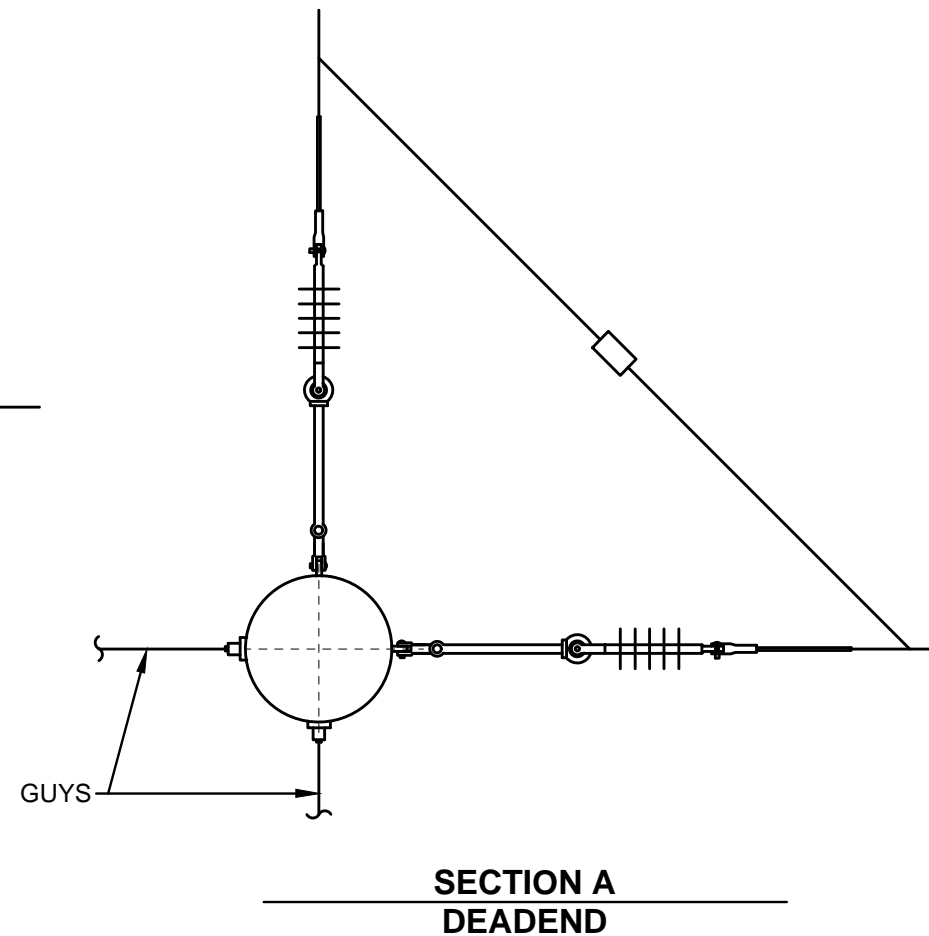
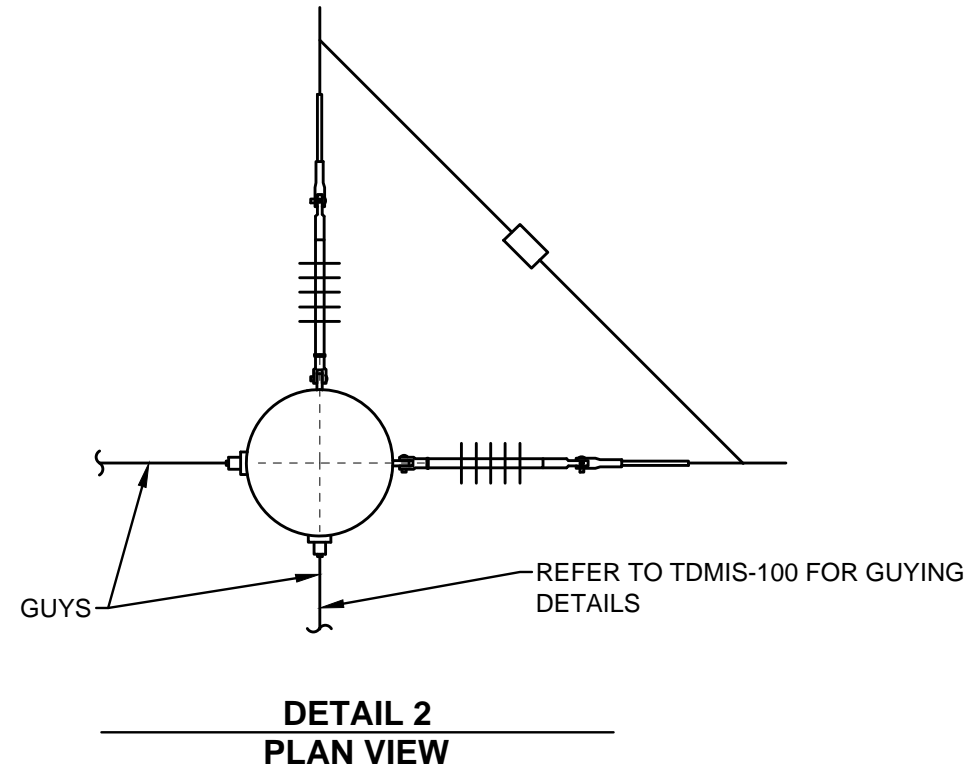
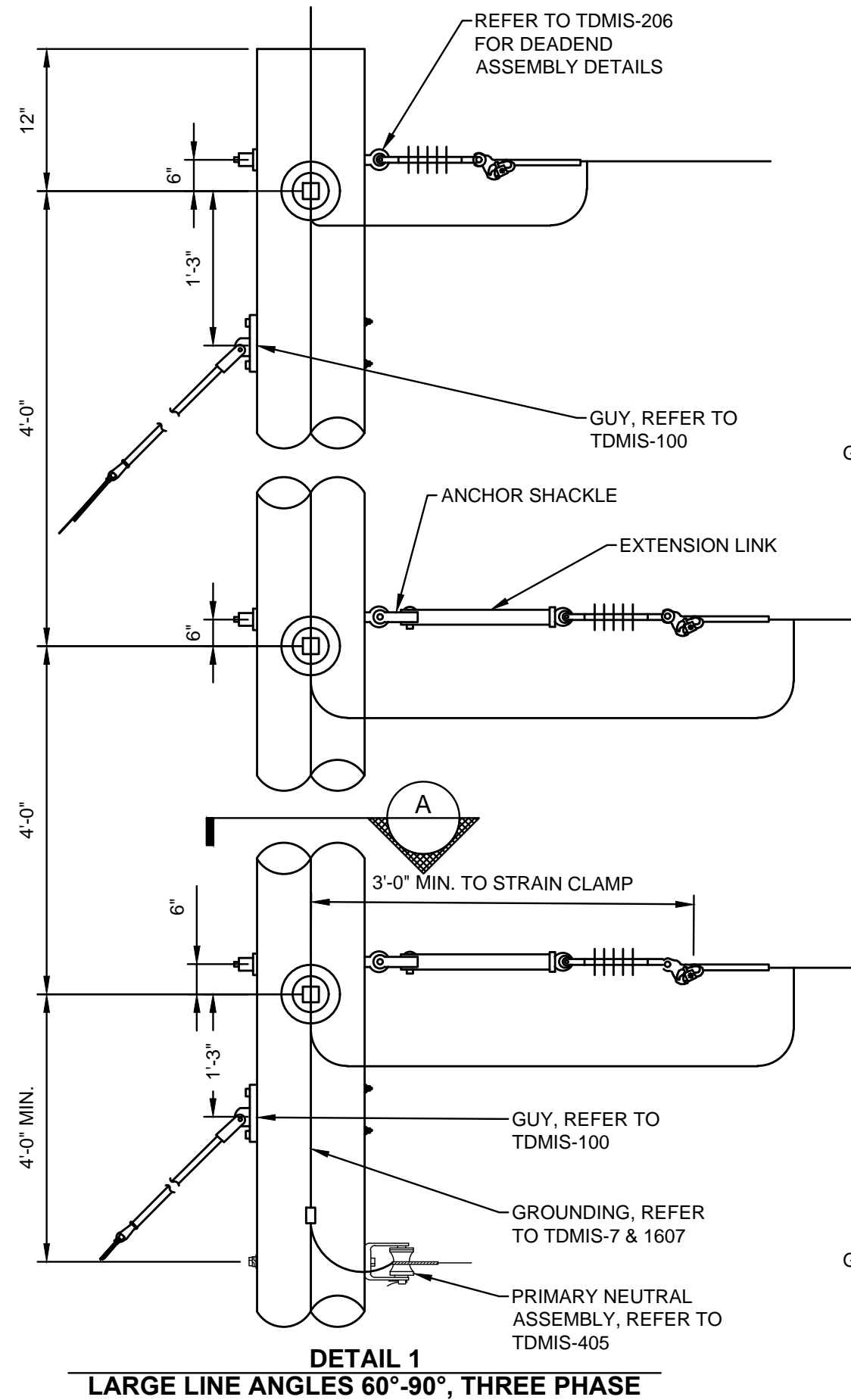


GENERAL NOTES:

1. THE CITY WILL PAY FOR ALL WORK INSTALLED AS SPECIFIED IN THIS DRAWING ACCORDING TO THE APPROPRIATE CONTRACT ITEMS FOR EACH COMPONENT OF THE WORK.



REFERENCE LIST	
TDMIS	DESCRIPTION
1	WOOD POLES
7	OVERHEAD DISTRIBUTION CIRCUIT GROUNDING
100	SINGLE DOWN GUY AND ANCHOR WITH INSULATOR
405	PRIMARY NEUTRAL ASSEMBLY
206	DEADEND ASSEMBLIES
1607	GROUND ROD TEST

CITY OF COLUMBUS, OHIO
DEPT. OF PUBLIC UTILITIES - DIVISION OF POWER

**LARGE LINE ANGLES, 60°-90°
THREE PHASE CONSTRUCTION**

DRAWN BY: AEC	DATE: 01/01/2018
APPROVED: <i>[Signature]</i>	
SCALE: NTS	SHEET: 1 OF 1

TDMIS-404

THIS DRAWING IS FOR REFERENCE ONLY