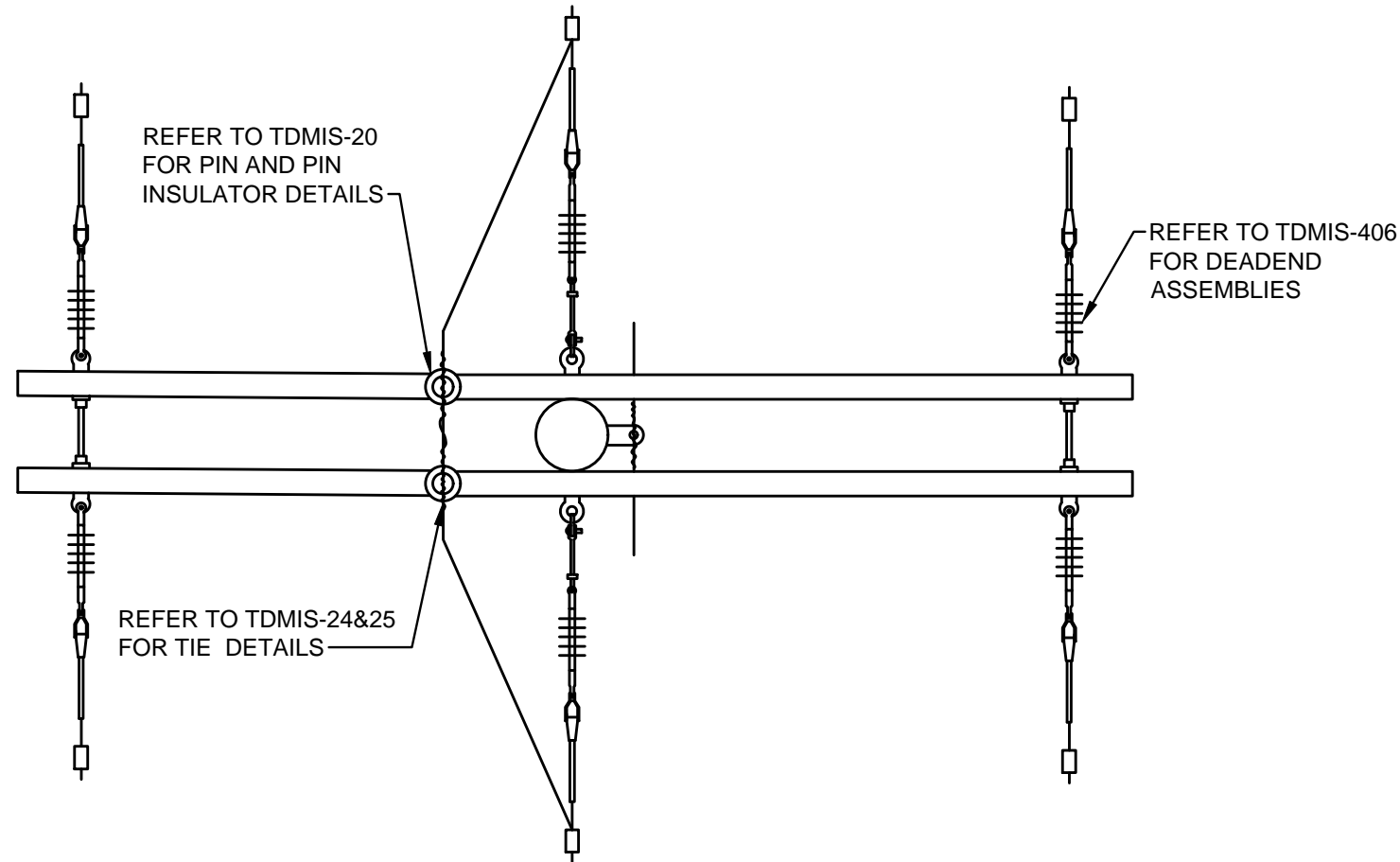
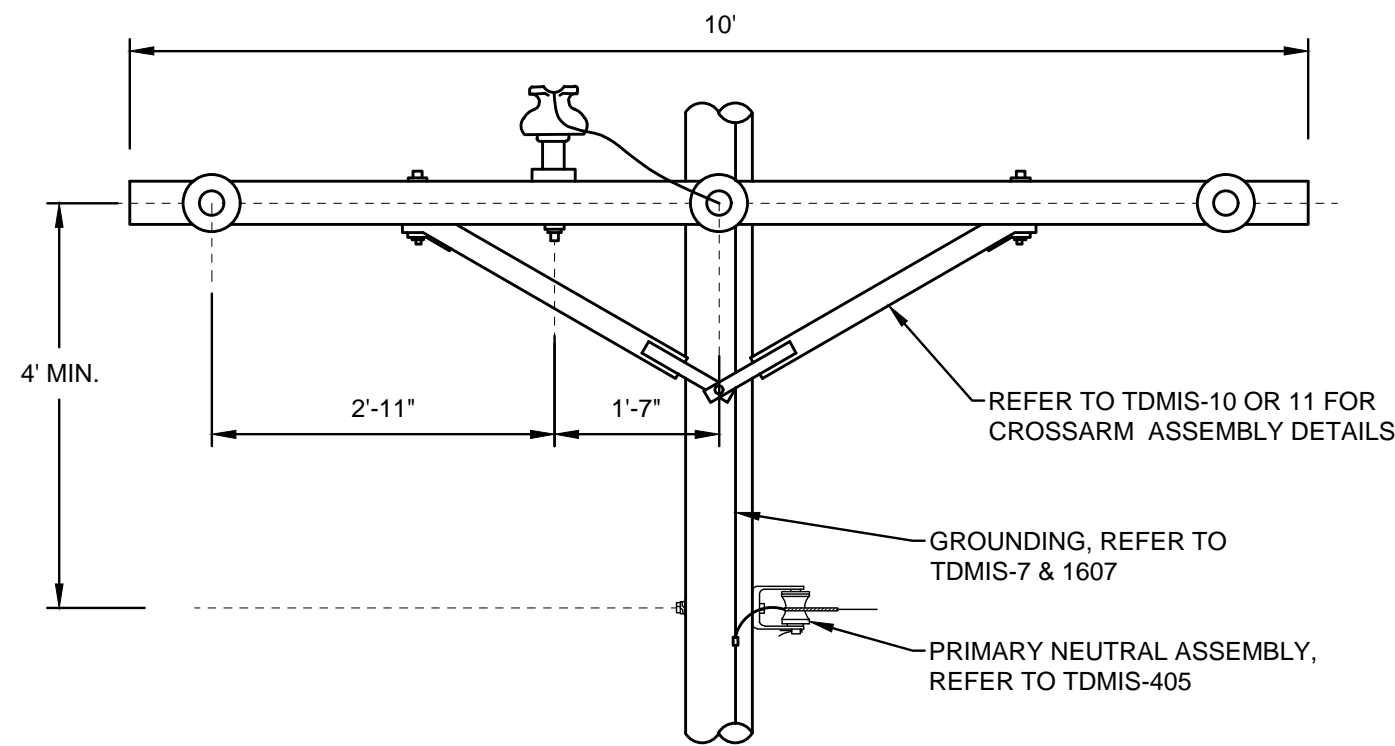


**GENERAL NOTES:**

1. THE CITY WILL PAY FOR ALL WORK INSTALLED AS SPECIFIED IN THIS DRAWING ACCORDING TO THE APPROPRIATE CONTRACT ITEMS FOR EACH COMPONENT OF THE WORK.



**DETAIL 1  
PLAN VIEW**



**DETAIL 2  
DOUBLE DEADEND, THREE PHASE**

REFERENCE LIST	
TDMIS	DESCRIPTION
1	WOOD POLES
7	OVERHEAD DISTRIBUTION CIRCUIT GROUNDING
10	WOOD CROSSARM - WOOD BRACES
11	WOOD CROSSARM - STEEL BRACES
20	PIN AND PIN INSULATOR
24	COPPER CONDUCTOR HAND-MADE INSULATOR TIES
25	ALUMINUM CONDUCTOR HAND-MADE INSULATOR TIES
405	PRIMARY NEUTRAL ASSEMBLY
406	DEADEND ASSEMBLIES
1607	GROUND ROD TEST

CITY OF COLUMBUS, OHIO DEPT. OF PUBLIC UTILITIES - DIVISION OF POWER	
<b>DOUBLE DEADEND THREE PHASE CONSTRUCTION</b>	
DRAWN BY: AEC	DATE: 01/01/2018
APPROVED: <i>[Signature]</i>	<b>TDMIS-407</b>
SCALE: NTS	

THIS DRAWING IS FOR REFERENCE ONLY