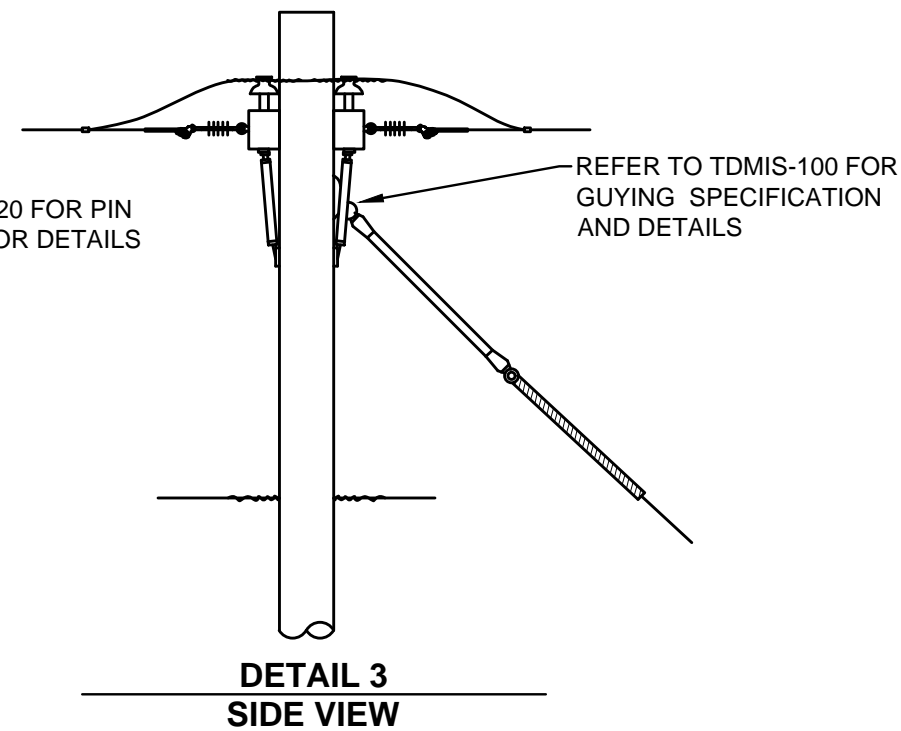
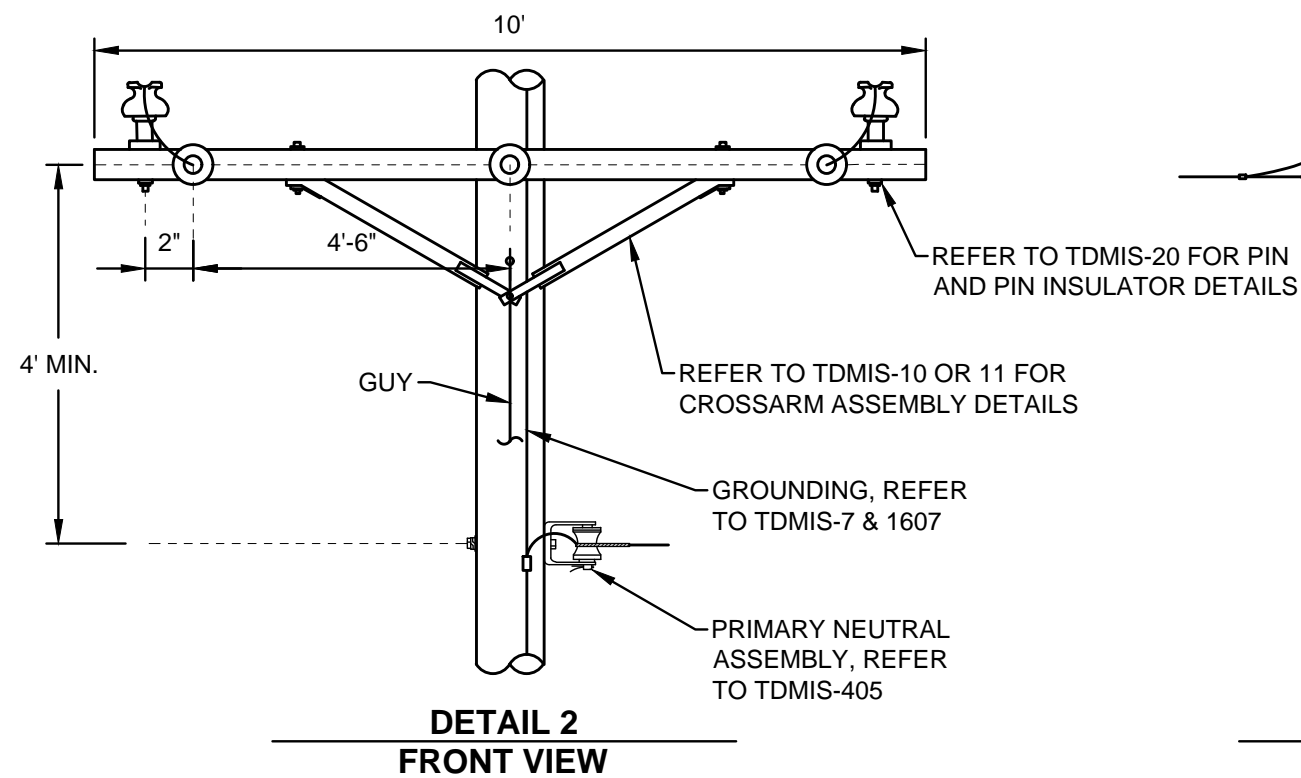
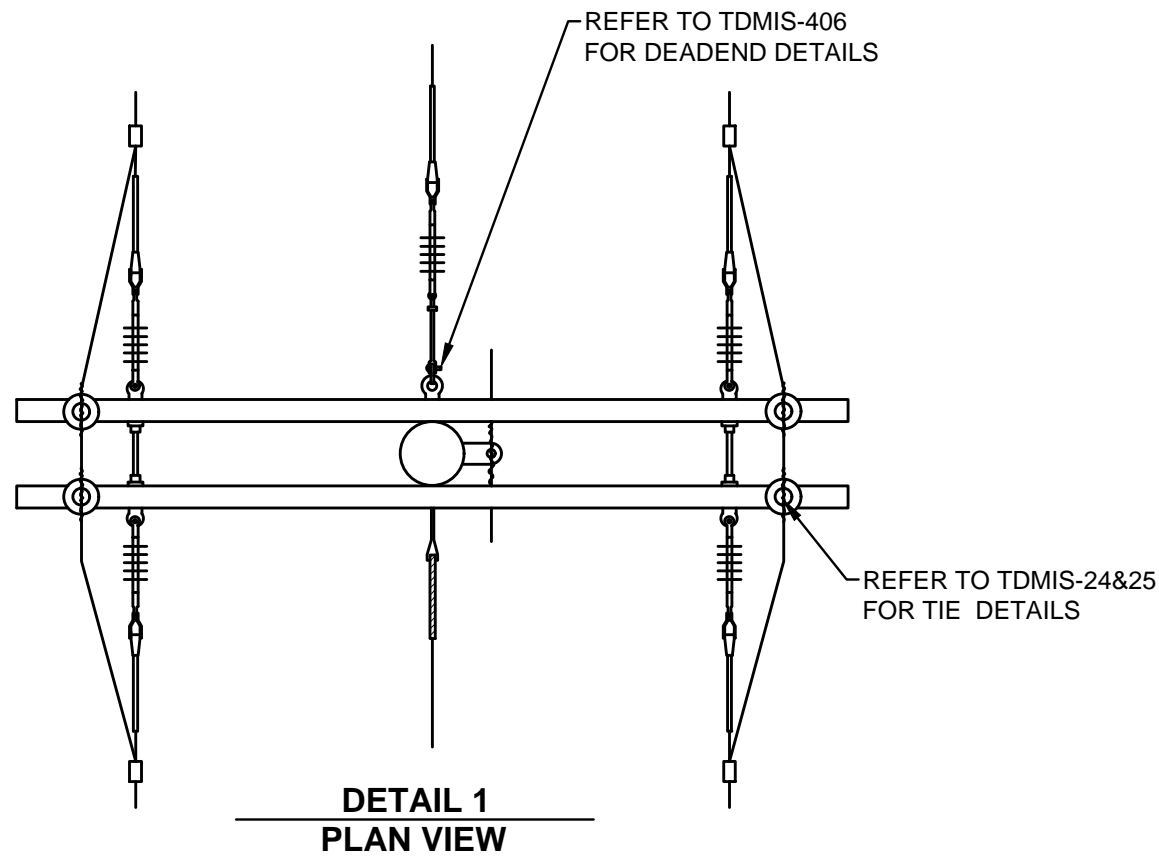


GENERAL NOTES:

1. THE CITY WILL PAY FOR ALL WORK INSTALLED AS SPECIFIED IN THIS DRAWING ACCORDING TO THE APPROPRIATE CONTRACT ITEMS FOR EACH COMPONENT OF THE WORK.



REFERENCE LIST

TDMIS	DESCRIPTION
1	WOOD POLES
7	OVERHEAD DISTRIBUTION CIRCUIT GROUNDING
10	WOOD CROSSARM - WOOD BRACES
11	WOOD CROSSARM - STEEL BRACES
20	PIN AND PIN INSULATOR
24	COPPER CONDUCTOR HAND-MADE INSULATOR TIES
25	ALUMINUM CONDUCTOR HAND-MADE INSULATOR TIES
100	SINGLE DOWN GUY & ANCHOR WITH INSULATOR
405	PRIMARY NEUTRAL ASSEMBLY
406	DEADEND ASSEMBLIES
1607	GROUND ROD TEST

CITY OF COLUMBUS, OHIO
DEPT. OF PUBLIC UTILITIES - DIVISION OF POWER

THREE PHASE DEADEND
AND TWO PHASE CONTINUATION, 0°-5°

DRAWN BY: AEC DATE: 01/01/2018

APPROVED: *[Signature]*

SCALE: NTS SHEET: 1 OF 1

TDMIS-408

THIS DRAWING IS FOR REFERENCE ONLY