

Transmission & Distribution
Material & Installation Specification

Secondary and Neutral Deadend Assembly (ACSR/Aluminum)

I. Quantity

The base bid shall include the indicated number of assemblies as shown or required, furnished, and installed as hereinafter specified.

II. Material

- A. Secondary hardware shall consist of a 3" spool insulator mounted in a galvanized clevis and a wedge clamp appropriate for the size of the duplex, triplex or quadplex messenger/neutral conductor.
- B. Connector shall be H-Tap type, copper only, for copper to copper connections
Copper to aluminum or aluminum to aluminum shall be aluminum H-Tap type with antioxidant factory applied within grooves.
- C. All steel hardware to be hot dipped galvanized.

III. Installation

- A. The installation shall be as shown on drawing TDMIS-502.
- B. Installation shall include sag and guy adjustments as required to meet clearance requirements of the NESC and any local zoning codes.
- C. Conductor connections shall be completed and operational.

IV. Method of Measurement

Shall be per each completed assembly including bracket, bolts, eye nuts, grips, clamps, washers, conductor and ground connections, tools, labor, equipment and all miscellaneous hardware required for a complete and operational module.

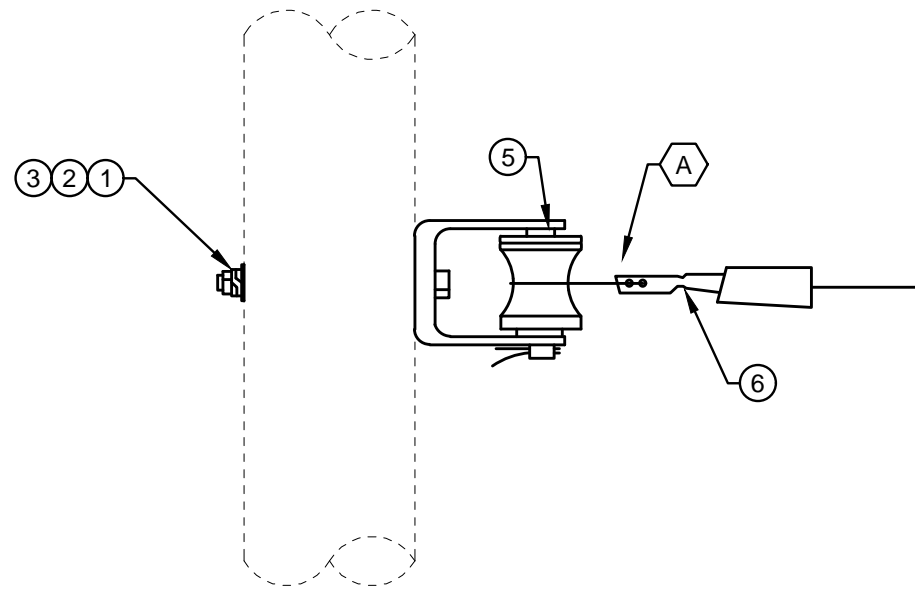
V. Basis of payment

Items	Unit	Description
TDMIS-502	Each	Secondary neutral assembly
TDMIS-502	Each	Messenger wedge clamp assembly
TDMIS-502	Each	Messenger clamp assembly

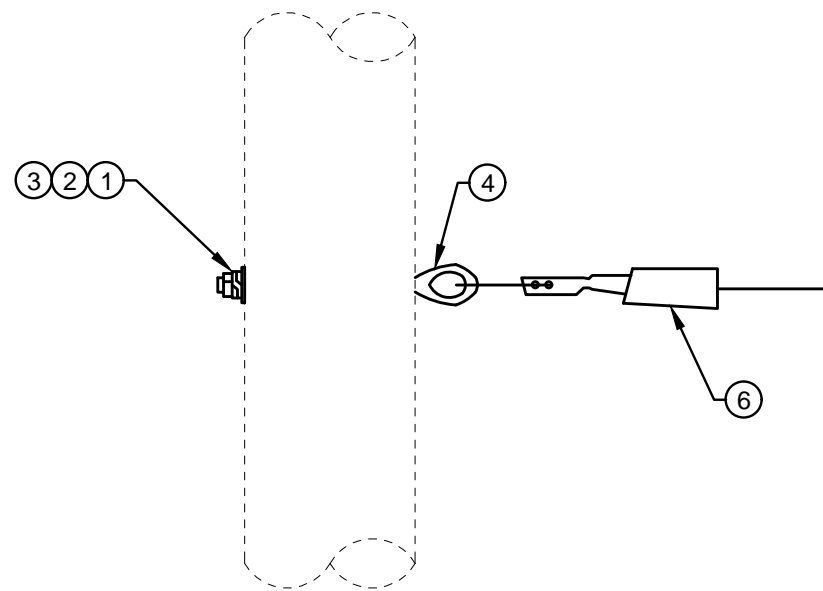
CITY OF COLUMBUS DEPT. OF PUBLIC UTILITIES – DIVISION OF POWER SECONDARY AND NEUTRAL DEADEND ASSEMBLY (ACSR/ALUMINUM)		
DRAWN BY: AEC	DATE: 01/01/2018	TDMIS-502
APPROVED: <i>[Signature]</i>		
	SHEET 1 of 2	

CODED NOTES:

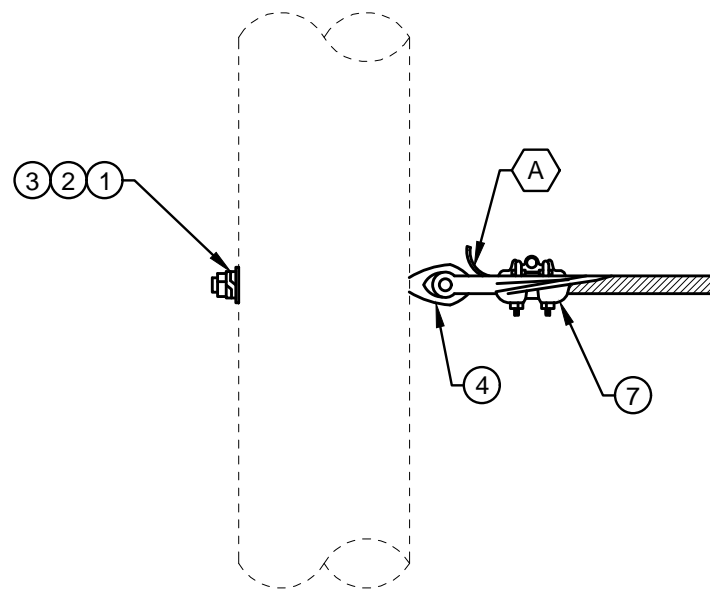
A EXTEND CONDUCTOR AS JUMPER IF REQUIRED.



DETAIL 1
SECONDARY NEUTRAL, #2 THRU 4/0, ACSR



DETAIL 2
SECONDARY MESSENGER, WEDGE CLAMP



DETAIL 3
SECONDARY MESSENGER, CLAMP

ITEM LIST

ITEM #	DESCRIPTION	PART #	QTY.
①	BOLT, MACHINE, 5/8"XLENGTH AS REQ.	42369	1
②	WASHER, SPRING LOCK, 11/16" HOLE, DOUBLE COIL	18895	1
③	WASHER, SQUARE CURVED, 2 1/4"X2 1/4"X3/16", 11/16" HOLE	18901	1
④	OVAL EYE NUT, 5/8"	18977	1
⑤	INSULATOR, CLEVIS	19285	1
⑥	WEDGE CLAMP, 4/0-1/0 ACSR	20225	1
⑦	STRAIN CLAMP	59885	1

CITY OF COLUMBUS, OHIO
DEPT. OF PUBLIC UTILITIES - DIVISION OF POWER

**SECONDARY AND NEUTRAL
DEADEND ASSEMBLIES (ACSR/ALUMINUM)**

DRAWN BY: AEC DATE: 01/01/2018
APPROVED: *[Signature]*
SCALE: NTS SHEET: 2 OF 2

TDMIS-502