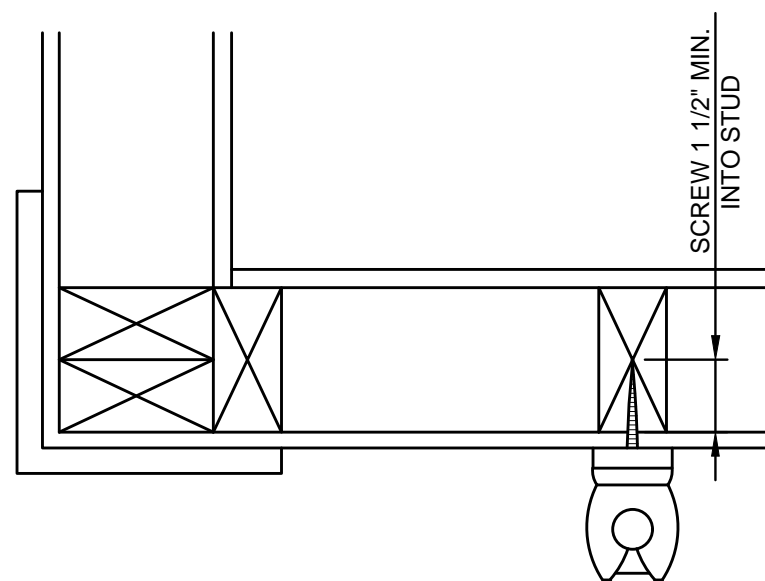


DETAIL 1
SERVICE DROP ATTACHMENT

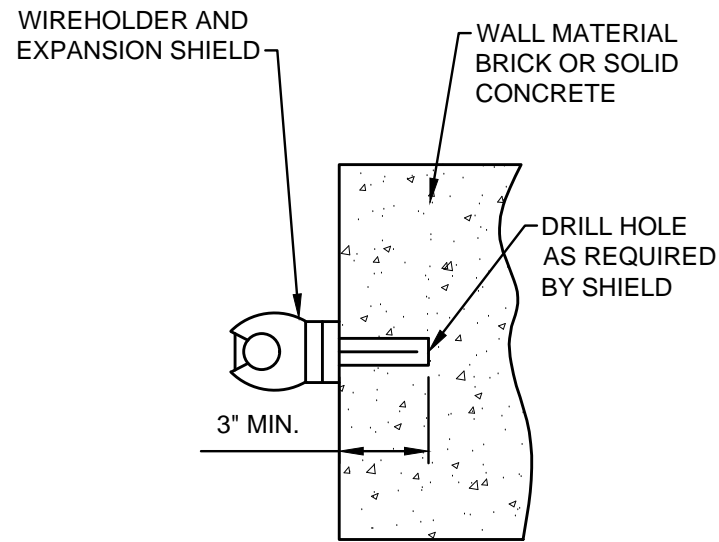


DETAIL 2
WIREHOLDER PENETRATION

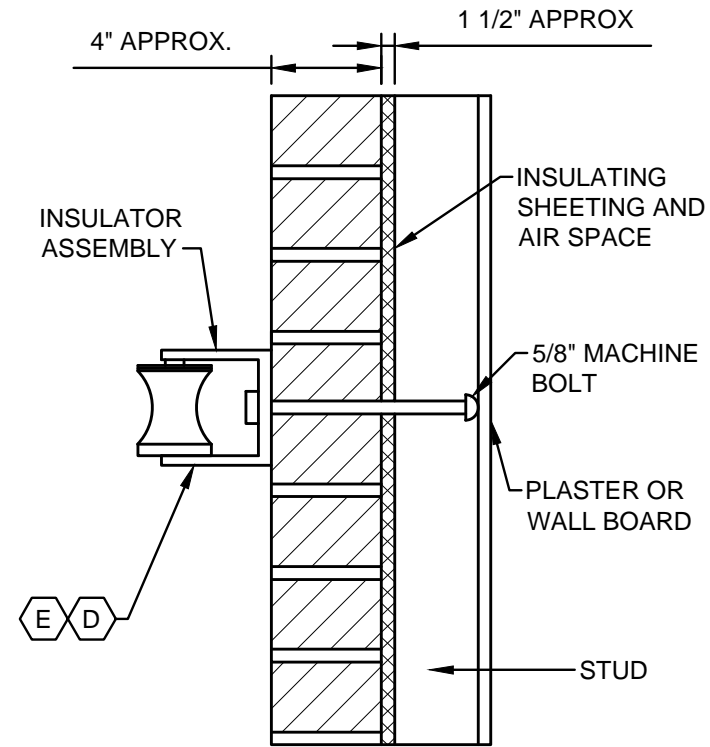
CODED NOTES:

- (A) SELECTION OF A 3 OR 4 INCH SCREW LENGTH IS DEPENDENT ON THE THICKNESS OF MATERIAL (FACING, INSULATION - ETC.) WHICH MUST BE PENETRATED BEFORE A SOLID FRAMING MEMBER IS ENCOUNTERED.
- (B) DRILL A 7/32" DIA. HOLE INTO THE WALL STUD BEFORE INSTALLING WIREHOLDERS. WIREHOLDER SCREW MUST BE INSTALLED AS FAR AS POSSIBLE SO THAT WIRE HOLDER IS TIGHT AND FLUSH WITH OUTSIDE FRAME SURFACE. AT LEAST 1 1/2" OF SCREW MUST PENETRATE THE STUD.
- (C) FOR PREFABRICATED HOUSES - WHERE THE STUD IS GENERALLY 2"X2". CUT THE WIREHOLDER SCREW TO THE REQUIRED LENGTH WITH BOLT CUTTERS IF GROUND CLEARANCES PERMIT SERVICE DROP TO BE ATTACHED BELOW CEILING LINE. OTHERWISE, USE ALTERNATIVE WIREHOLDER LOCATIONS SHOWN OR USE A SERVICE MAST.
- (D) STRUCTURE LOADING AT WIREHOLDER: FOR #4, #2 AWG AND 1/0 SERVICE DROP CABLE-STRUCTURE TO WITHSTAND A MIN. PULL OF 1000 LBS PER WIREHOLDER; FOR 4/0 AWG SERVICE DROP CABLE-STRUCTURE TO WITHSTAND A MINIMUM PULL OF 1500 LBS. PER WIREHOLDER.
- (E) THE SERVICE ATTACHMENT SHALL BE INSTALLED AT A HEIGHT THAT MAINTAINS REQUIRED CLEARANCES FOR SERVICE DROP CONDUCTORS. FOR CLEARANCES REFER TO NESC.
- (F) SERVICE MAST TO BE USED WHERE IT IS IMPOSSIBLE TO ATTACH WIREHOLDER TO BUILDING WALL AND MAINTAIN PROPER CLEARANCE

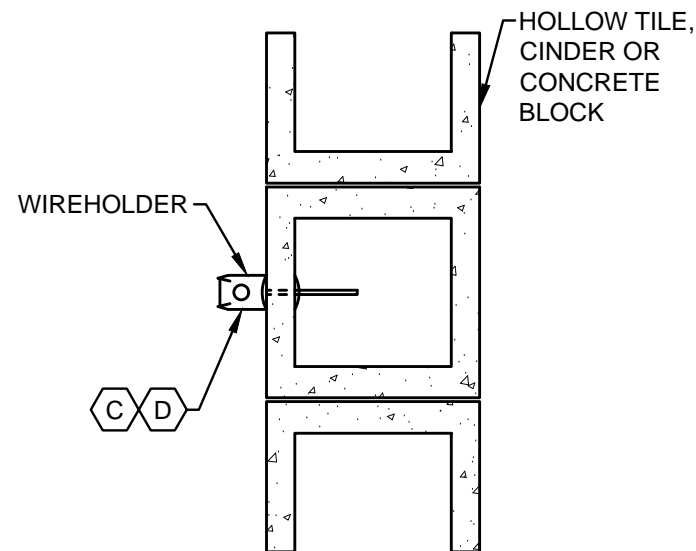
CITY OF COLUMBUS, OHIO DEPT. OF PUBLIC UTILITIES - DIVISION OF POWER	
SERVICE DROP ATTACHMENTS AT BUILDING	
DRAWN BY: AEC	DATE: 01/01/2018
APPROVED: <i>[Signature]</i>	TDMIS-503
SCALE: NTS	



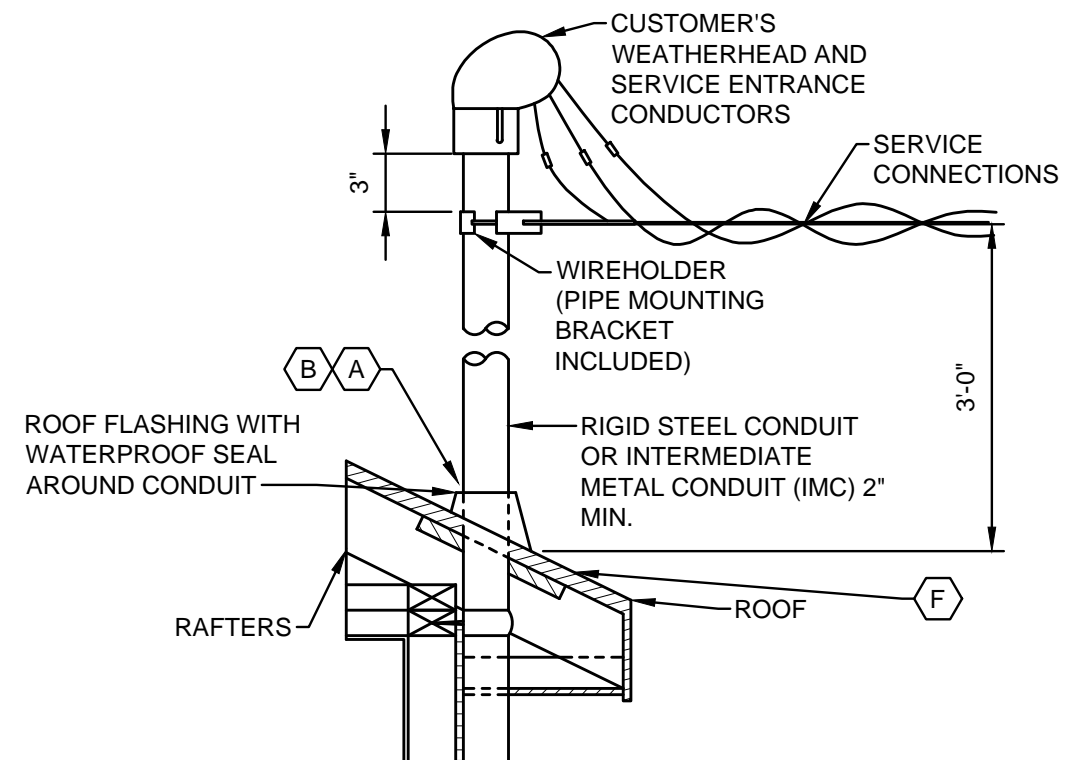
**DETAIL 3
MASONRY**



**DETAIL 4
BRICK**



**DETAIL 5
BLOCK**



**DETAIL 6
MAST**

CODED NOTES:

- (A) THE SERVICE DROP TENSION IS TO BE LIMITED TO 500 LBS. UNDER LOADED CONDITIONS.
- (B) THE SERVICE ATTACHMENT SHALL BE INSTALLED AT A HEIGHT THAT MAINTAINS REQUIRED CLEARANCES FOR SERVICE DROP CONDUCTORS. FOR CLEARANCES REFER TO THE NATIONAL ELECTRICAL SAFETY CODE.
- (C) COAT ALL METAL PARTS OF THESE SERVICE DROP ATTACHMENTS WITH CORROSION-INHIBITING GREASE (WITHOUT METALLIC PARTICLES) BEFORE INSTALLING THEM IN MASONRY OR CINDER BLOCKS.
- (D) NEW CONSTRUCTION - FURNISH CUSTOMER OR CONTRACTOR WITH PROPER WIREHOLDER OR INSULATOR CLEVIS SO THAT SERVICE ATTACHMENT CAN BE INSTALLED AT A SUITABLE LOCATION (DESIGNATED BY THE POWER COMPANY) BY THE CONTRACTOR DURING CONSTRUCTION OF THE BUILDING.
- (E) FOR BRICK BUILDINGS OF RELATIVELY SOFT BRICK, INSTALL THE WIREHOLDER SCREW IN THE MORTAR BETWEEN THE BRICKS.
- (F) SERVICE MAST TO BE USED WHERE IT IS IMPOSSIBLE TO ATTACH WIREHOLDER TO BUILDING WALL AND MAINTAIN PROPER CLEARANCES.

CITY OF COLUMBUS, OHIO DEPT. OF PUBLIC UTILITIES - DIVISION OF POWER		
SERVICE DROP ATTACHMENTS AT BUILDING		
DRAWN BY: AEC	DATE: 01/01/2018	TDMIS-503
APPROVED: <i>[Signature]</i>		
SCALE: NTS	SHEET: 2 OF 2	