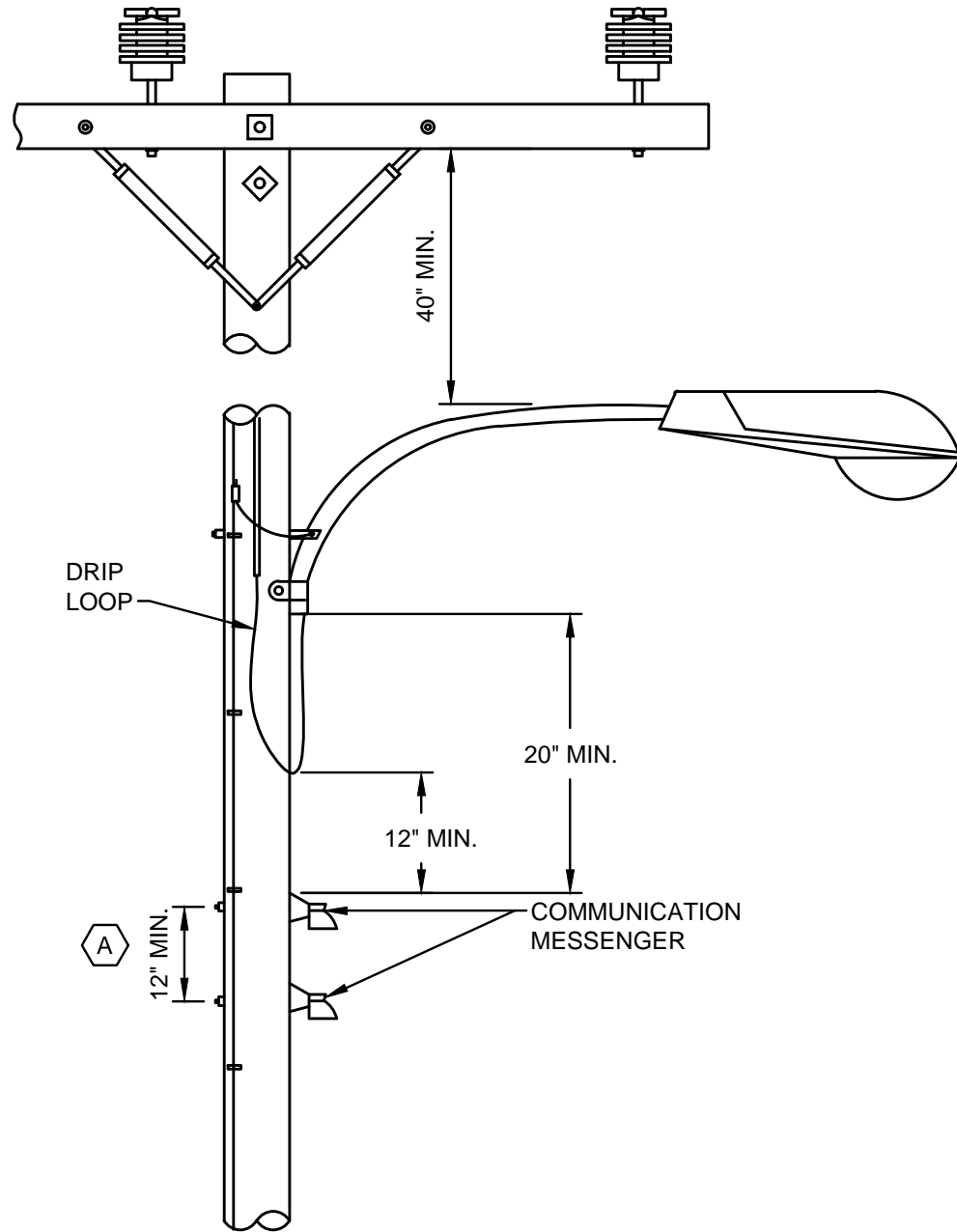


GENERAL NOTES:

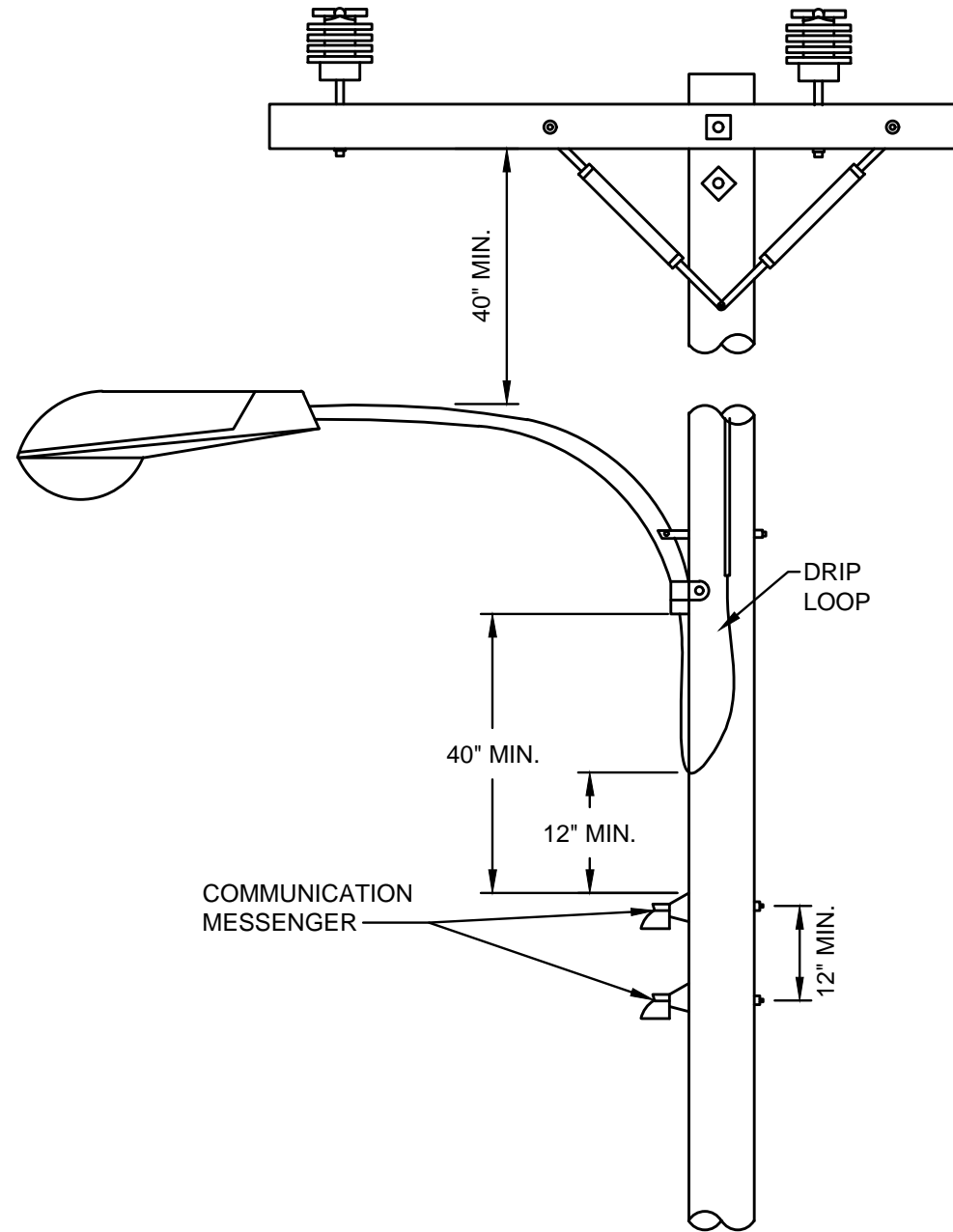
1. ALL CLEARANCES LISTED ARE PER NESC 2017.

CODED NOTES:

- A** THE MINIMUM SPACING BETWEEN TELECOMMUNICATION POLE ATTACHMENTS FOR CONSTRUCTION / MAINTENANCE. REFER TO NESC RULE 238 FOR CLEARANCE REQUIREMENTS.



DETAIL 1
EFFECTIVE GROUND FIXTURE



DETAIL 2
NOT EFFECTIVE GROUND FIXTURE

CITY OF COLUMBUS, OHIO DEPT. OF PUBLIC UTILITIES - DIVISION OF POWER		
LIGHTING FACILITIES		
DRAWN BY: AEC	DATE: 01/01/2018	TDMIS-601
APPROVED: <i>[Signature]</i>		
SCALE: NTS	SHEET: 1 OF 1	