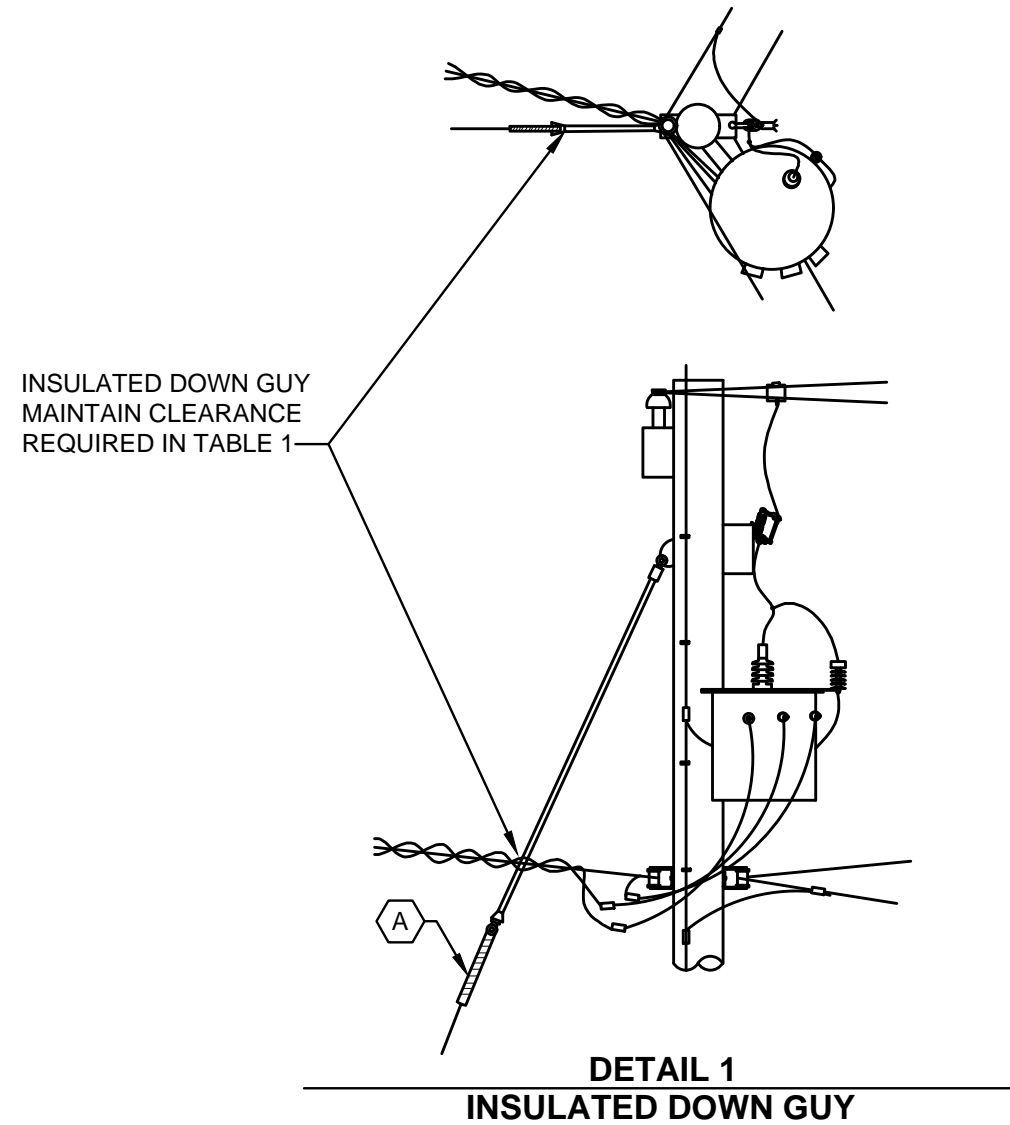


**GENERAL NOTES:**

1. ALL CLEARANCES LISTED ARE PER NESC 2017.

**CODED NOTES:**

- A** MULTIPLE STRAIN INSULATORS MAY BE USED TO INCREASE THE LENGTH OF INSULATION IN A DOWN GUY OR TO ISOLATE A SEGMENT OF GUY WIRE EXPOSED TO ANOTHER CONDUCTOR OR CABLE.
- B** CLEARANCE IS PER NESC RULE 235 AND TABLE 235-6.



<b>INSULATED DOWN GUY</b> <b>B</b>	
CONDUCTORS AND CABLES	CLEARANCE TO GUY WIRE (IN)
COMMUNICATION CIRCUITS	4 1/2
0 TO 15 KV (PHASE TO PHASE)	6
69 KV (PHASE TO PHASE)	16
138 KV (PHASE TO PHASE)	29

REFERENCE NESC TABLE 235-6

**TABLE 1**  
**INSULATED DOWN GUY**

CITY OF COLUMBUS, OHIO DEPT. OF PUBLIC UTILITIES - DIVISION OF POWER		<b>TDMIS-602</b>
<b>CLEARANCE BETWEEN DOWN GUY &amp; LINE CONDUCTORS ATTACHED TO THE SAME STRUCTURES</b>		
DRAWN BY: AEC	DATE: 01/01/2018	
APPROVED: <i>[Signature]</i>		
SCALE: NTS	SHEET: 1 OF 1	