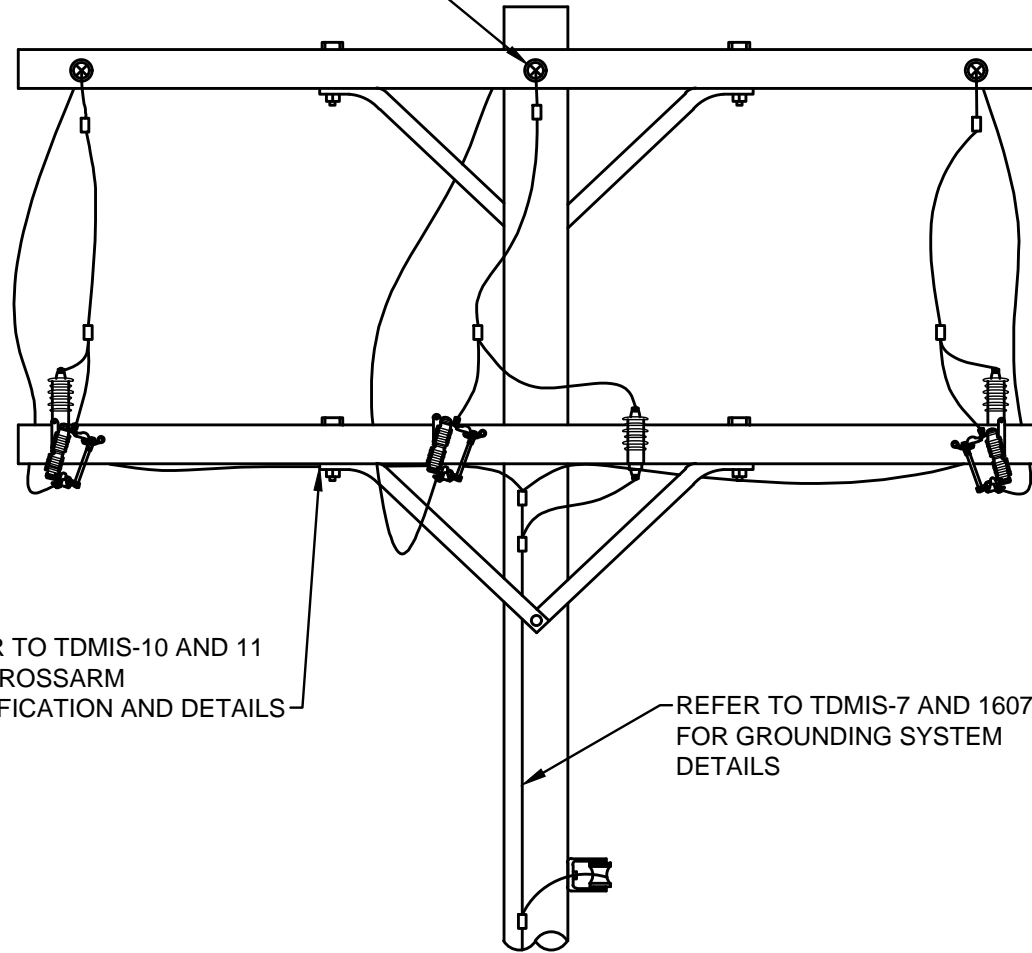


**CODED NOTES:**

(A) CONTINUOUS PRIMARY CONDUCTOR JUMPER MAY BE EXTENDED TO THE BOTTOM OF THE CUTOUT,

REFER TO TDMIS-406 FOR DEADEND SPECIFICATION AND DETAILS



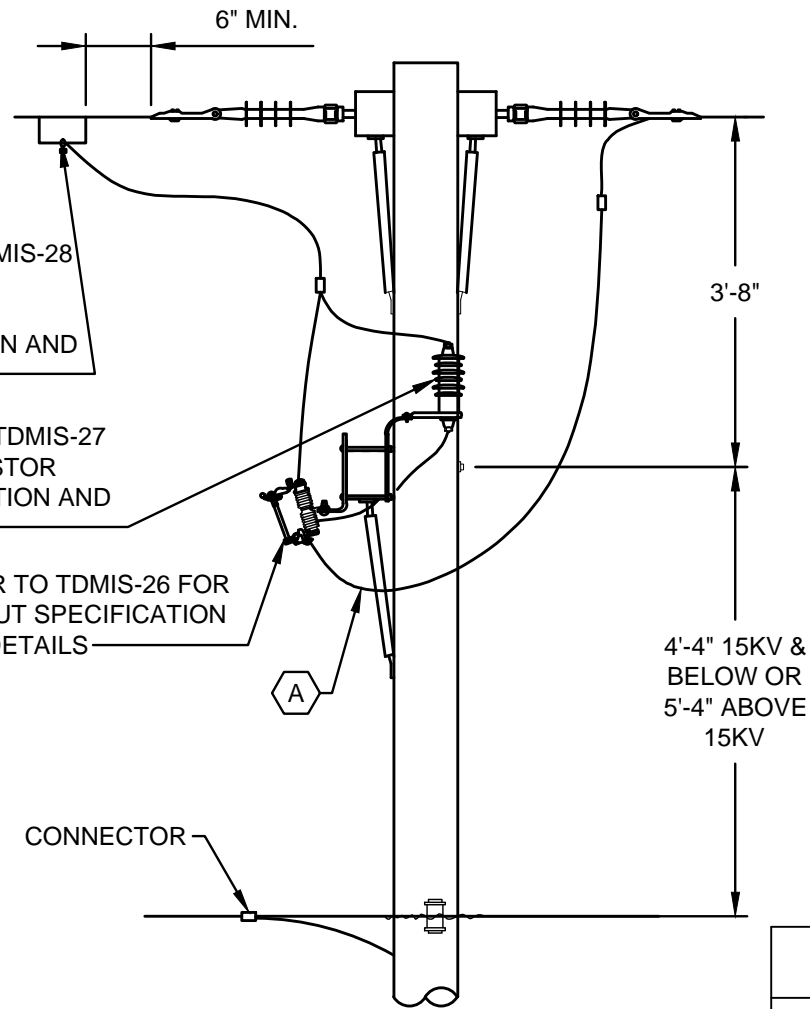
REFER TO TDMIS-10 AND 11 FOR CROSSARM SPECIFICATION AND DETAILS

REFER TO TDMIS-7 AND 1607 FOR GROUNDING SYSTEM DETAILS

REFER TO TDMIS-28 FOR HOT LINE CLAMP SPECIFICATION AND DETAILS

REFER TO TDMIS-27 FOR ARRESTOR SPECIFICATION AND DETAILS

REFER TO TDMIS-26 FOR CUTOUT SPECIFICATION AND DETAILS



6" MIN.

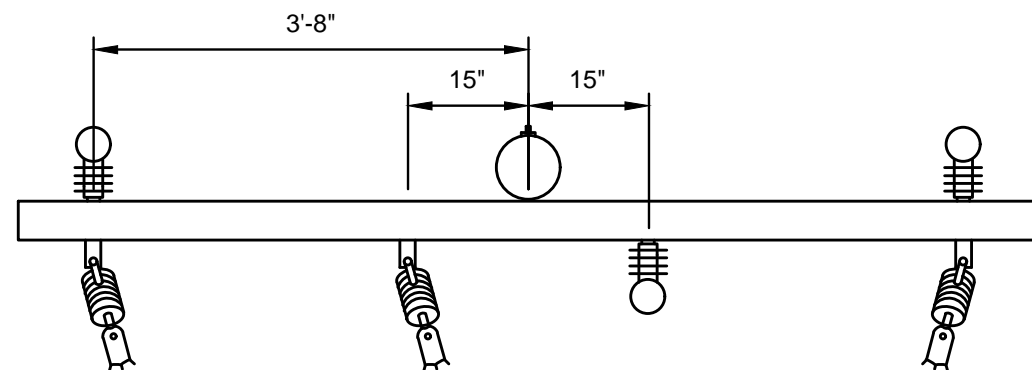
3'-8"

4'-4" 15KV & BELOW OR 5'-4" ABOVE 15KV

CONNECTOR

**DETAIL 1**

**THREE PHASE PRIMARY LINE SECTIONALIZING - 200 AMP MAX**



REFER TO TDMIS-10 OR 11 FOR 8' CROSSARM ASSEMBLY DETAILS

**DETAIL 2**

**CUTOUT AND ARRESTER INSTALLATION**

**REFERENCE LIST**

TDMIS	DESCRIPTION
1	WOOD POLES
7	OVERHEAD DISTRIBUTION CIRCUIT GROUNDING
10	WOOD CROSSARM - WOOD BRACES
11	WOOD CROSSARM - STEEL BRACES
26	DISTRIBUTION CUTOUT
27	DISTRIBUTION ARRESTER APPLICATION
28	HOT LINE CALMPS AND RISER ASSEMBLY
406	DEADEND ASSEMBLY
1607	GROUND ROD TEST

CITY OF COLUMBUS, OHIO  
DEPT. OF PUBLIC UTILITIES - DIVISION OF POWER

**THREE PHASE PRIMARY LINE SECTIONALIZING - 200 AMP**

FOR REFERENCE ONLY

DRAWN BY: AEC DATE: 01/01/2018

APPROVED: *[Signature]*

SCALE: NTS

SHEET: 1 OF 1

**TDMIS-900**