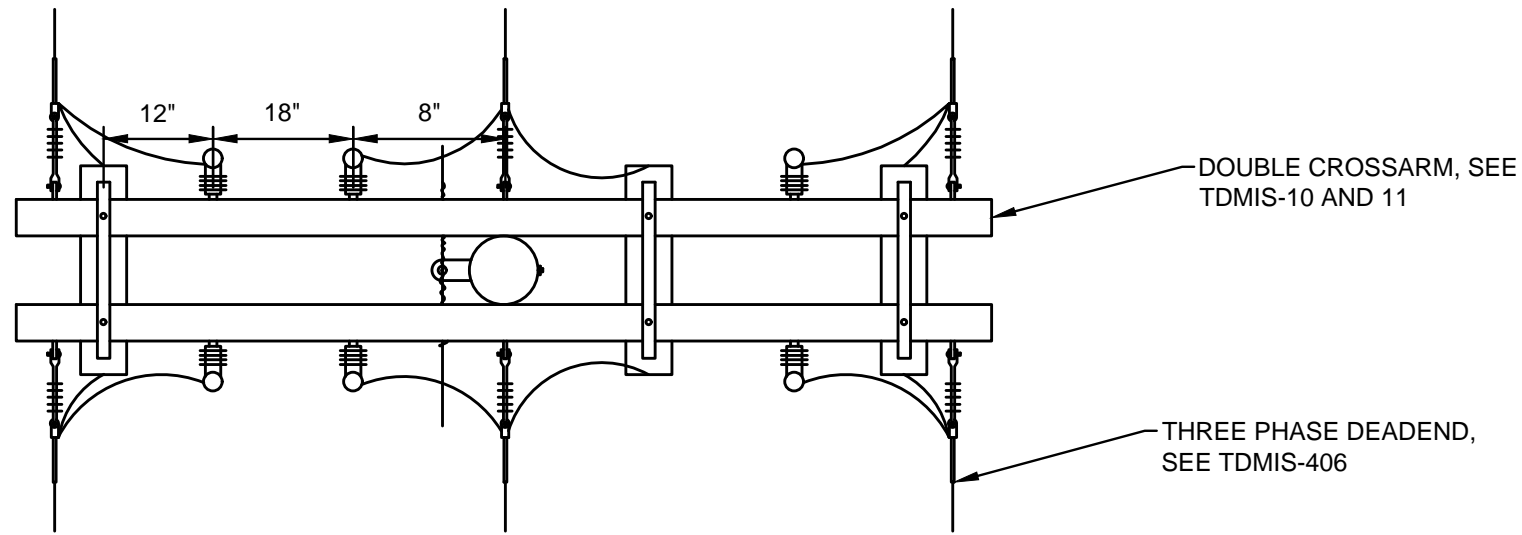
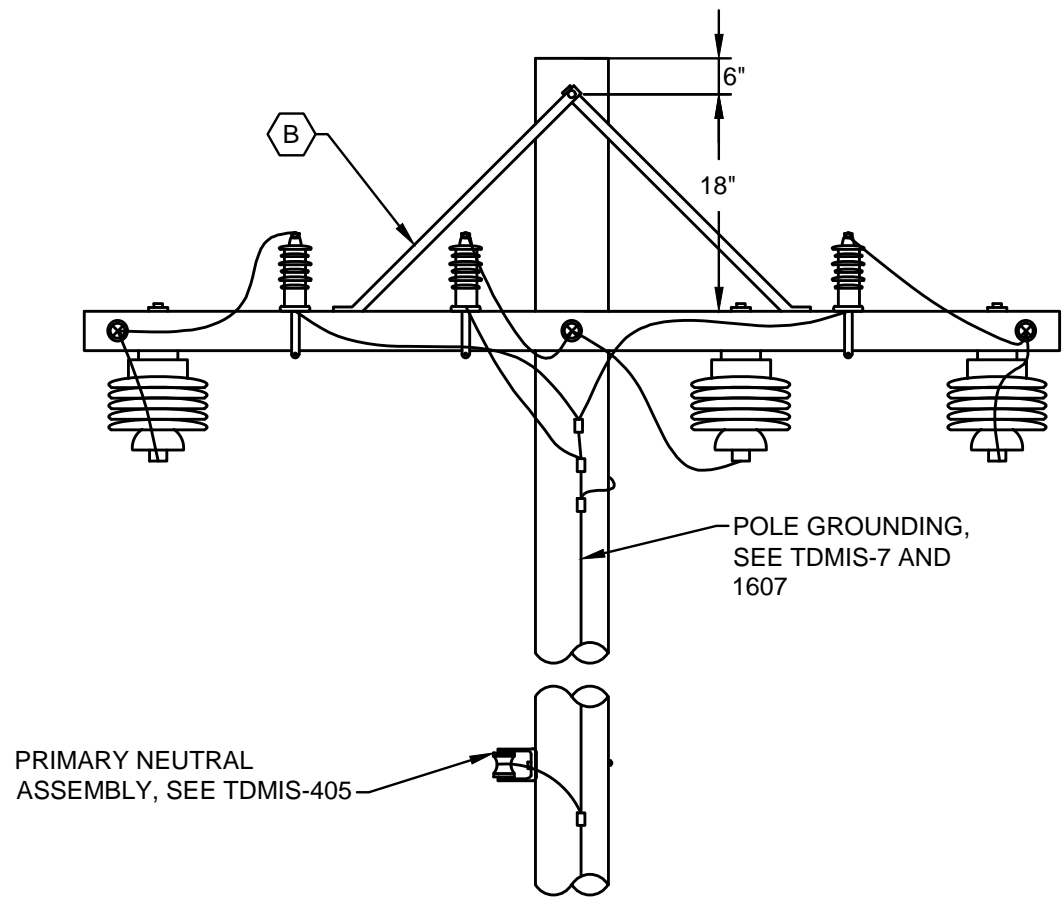


**CODED NOTES:**

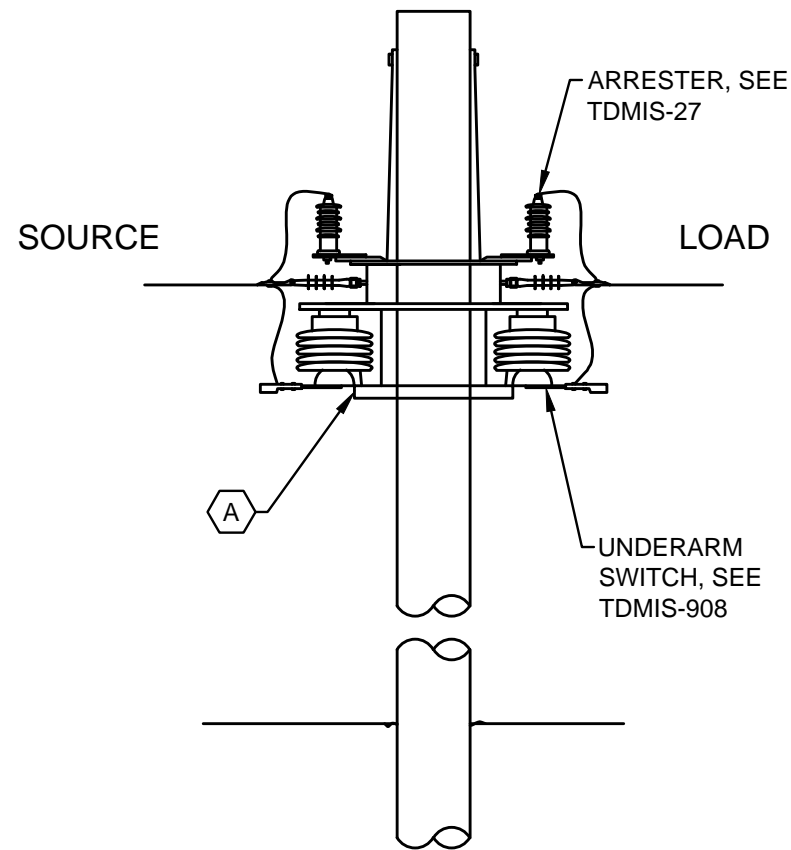
- (A) ALL SWITCH BASE PLATE MOUNTING BOLTS REQUIRE THE USE OF A 3/4" DOUBLE COIL LOCK WASHER WHICH IS INCLUDED IN THE SWITCH.
- (B) CROSSARM ASSEMBLY SHALL BE PER TDMIS-10 OR 11 EXCEPT THAT CROSSARM AND BRACE ASSEMBLY SHALL BE INSTALLED INVERTED TO ALLOW HOOK STICK OPERATION FROM BELOW.



**DETAIL 1  
SWITCH INSTALLATION**



**DETAIL 2  
THREE PHASE PRIMARY LINE SECTIONALIZING - 600 AMP MAX**



REFERENCE LIST	
TDMIS	DESCRIPTION
1	WOOD POLES
7	OVERHEAD DISTRIBUTION CIRCUIT GROUNDING
10	WOOD CROSSARM - WOOD BRACES
11	WOOD CROSSARM - STEEL BRACES
27	DISTRIBUTION ARRESTER APPLICATION
405	PRIMARY NEUTRAL ASSEMBLY
406	DEADEND ASSEMBLY
908	UNDERARM SWITCH
1607	GROUND ROD TEST

CITY OF COLUMBUS, OHIO  
DEPT. OF PUBLIC UTILITIES - DIVISION OF POWER

**THREE PHASE PRIMARY LINE  
SECTIONALIZING - 600 AMP**

DRAWN BY: AEC	DATE: 01/01/2018
APPROVED: <i>[Signature]</i>	
SCALE: NTS	SHEET: 1 OF 1

TDMIS-901

FOR REFERENCE ONLY