

Transmission & Distribution
Material & Installation Specification

Group Operated Air Break Switch, "GOAB" with Hookstick Operator

D. Basis of design is BRIDGES MODEL #COL93X-ADH. Engineer approved equals that meet every aspect of this specification and the project configuration may be submitted for approval.

kV		Amperes	
Nominal	BIL	Continuous	Interrupting
25	150	900A	600A

SAMPLING, INSPECTION, AND TEST PROCEDURES

- A. Any GOAB, which has been delivered to the job site and is found to not meet the specifications, will be rejected. GOAB's so rejected will be replaced by the contractor at his expense.
- B. Reasons to reject a GOAB shall be as follows: If GOAB has visible damage or is out of adjustment due to shipping. If a GOAB cannot be field adjusted as described in manufacturers' instructions. If any sign of rust, corrosion or deformation is evident.

DELIVERY, STORAGE, AND HANDLING

- A. Lift and handle GOAB's with care and in such a way as to avoid damage to the pole and GOAB.
- B. Install GOAB square with pole and brace per manufacturer's instructions.
- C. After energizing and applying intended load, infra-red scan GOAB for hot spots. Correct hot spots as required. If hot spots cannot be corrected to the satisfaction of Engineer, replace GOAB with new entirely at the contractors' expense.

WARRANTY

- A. GOAB shall be warranted for a minimum of one and one half (1 1/2) years from date of delivery and one (1) year from date of installation. Should any problems occur during the warranty period, the contractor shall, upon written notification and entirely at their expense, correct the problem by replacing the defective GOAB within sixty (60) days of receipt of the written notification.

III. Installation

- A. Do not drag GOAB's along the ground. Do not uncrate or un-package GOAB until positioned at base of pole ready to raise into final position.

I. Quantity

The base bid shall include the indicated quantities of the specified sizes of GOAB supplied and installed as hereinafter specified.

II. Material

GENERAL

- A. GOAB switches conforming to the Division of Power GOAB specification and approved shop drawings shall be installed where indicated on the project drawings.

PRODUCT REQUIREMENTS

- A. GOAB switch described in this section shall be completely assembled and adjusted at the factory and shall be shipped in one piece, ready to install.
- B. GOAB shall be configured for vertical mount – horizontal operation, with a hookstick-operating mechanism with a "lockout/tagout device. This padlockable device shall be capable of locking the switch in the open position with a single pull of the hookstick.
- C. Options shall be included as follows:
 - 1. Dead ending extension link assemblies
 - 2. Ice shield.
 - 3. Harsh environment at contacts.

CITY OF COLUMBUS DEPT. OF PUBLIC UTILITIES – DIVISION OF POWER GROUP OPERATED AIR BREAK SWITCH "GOAB", WITH HOOKSTICK OPERATOR		
DRAWN BY: AEC	DATE: 01/01/2018	TDMIS-903
APPROVED: <i>[Signature]</i>		
	SHEET 1 of 3	

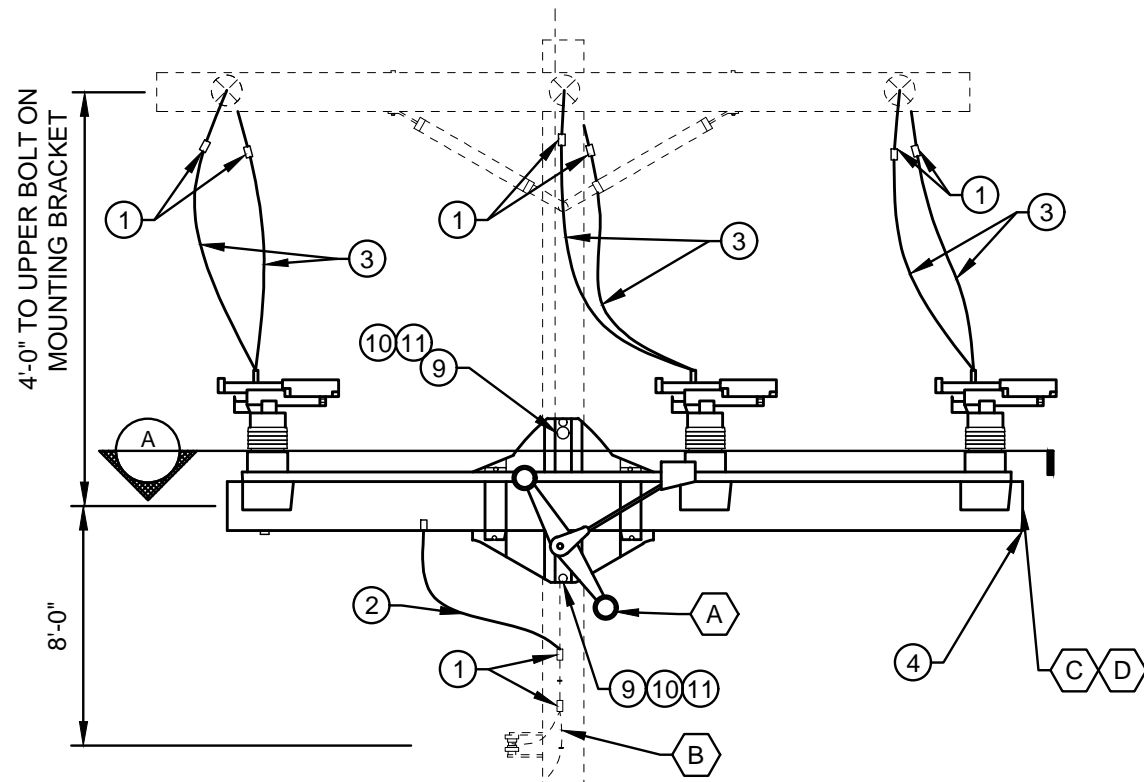
IV. Method of measurement

Shall include all required hardware, connectors, operation mechanism, rise conductors, grounding, labor, equipment, and transportation as required to provide a complete operational apparatus.

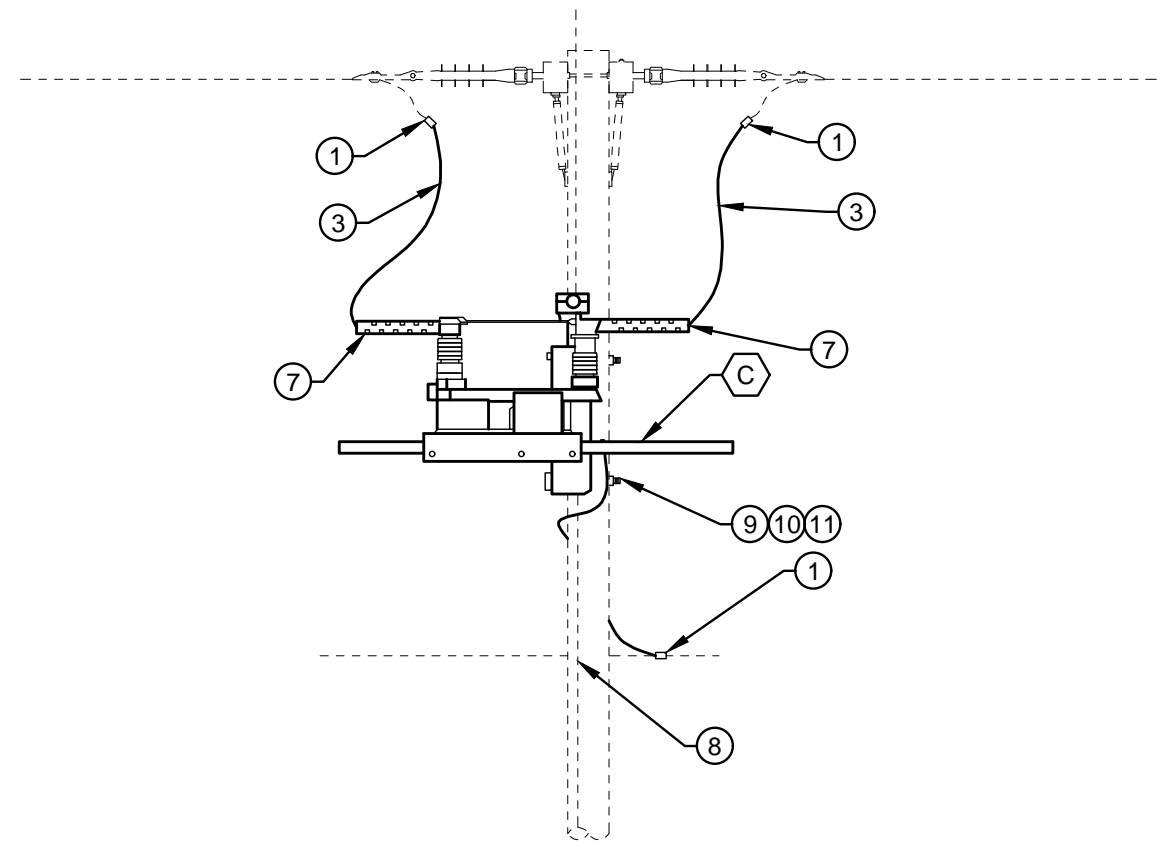
V. Basis of payment

Items	Unit	Description
TDMIS-903	Each	Group operated air break switch with hook stick operator module

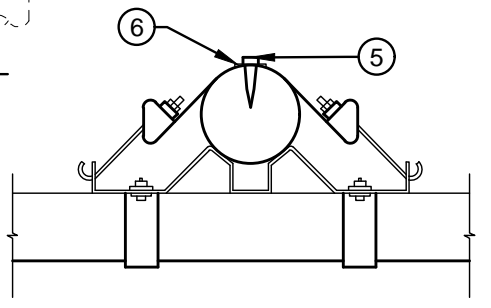
CITY OF COLUMBUS DEPT. OF PUBLIC UTILITIES – DIVISION OF POWER GROUP OPERATED AIR BREAK SWITCH “GOAB”, WITH HOOKSTICK OPERATOR		
DRAWN BY: AEC	DATE: 01/01/2018	TDMIS-903
APPROVED: <i>[Signature]</i>		
	SHEET 2 of 3	



**DETAIL 1
FRONT VIEW**



**DETAIL 2
SIDE VIEW**



**SECTION A
POLE MOUNTING STRAP**

CODED NOTES:

- A** REFER TO TDMIS-7 FOR POLE GROUNDING DETAILS.
- B** EXTEND #6 COPPER GROUND TO GROUND CONNECTION ON SWITCH MOUNTING BRACKET ON ARM.
- C** FACTORY SUPPLIED CROSSARM MAY BE METAL, GROUND BASE TO GROUND WIRE.
- D** PROVIDE FINAL CONTACT ADJUSTMENTS AS REQUIRED TO ASSURE ALL CONTACTS OPEN AND CLOSE SIMULTANEOUSLY PER MANUFACTURE'S RECOMMENDATIONS.

ITEM LIST

ITEM #	DESCRIPTION	PART #	QTY.
①	COMPRESSION CONNECTOR, MATERIAL AND SIZE AS REQUIRED	*	7
②	CONDUCTOR, #6, COPPER, STRANDED, SOFT DRAWN	*	1
③	4/0 AWG. XHHW COPPER WIRE	19959	AS REQ.
④	SWITCH, DISCONNECT, 900 AMP, 25KV, CONTINUOUS	20500	1
⑤	1/2"X5" LAG SCREW, GALVANIZED	18985	1
⑥	1/2" ROUND WASHER	*	1
⑦	COMPRESSION PAD CONNECTOR	*	6
⑧	CONDUCTOR, #6, COPPER, SOLID, SOFT DRAWN, REFER TO TDMIS-7	-	-
⑨	5/8" BOLT, LENGTH AS REQUIRED.	*	2
⑩	SQUARE WASHER	*	2
⑪	DOUBLE COIL SPRING LOCK	18895	2

CITY OF COLUMBUS, OHIO DEPT. OF PUBLIC UTILITIES - DIVISION OF POWER	
GROUP OPERATED AIR BREAK SWITCH "GOAB", WITH HOOKSTICK OPERATOR	
DRAWN BY: AEC	DATE: 01/01/2018
APPROVED: <i>[Signature]</i>	TDMIS-903
SCALE: NTS	