

Transmission & Distribution
Material & Installation Specification

Single Phase Primary Riser – 200 Amp (Two Phase Conductors)

I. Quantity

The base bid shall include the indicated number of Underground Cable Risers of the types specified, furnished, and installed as hereinafter specified.

II. Material

- A. The material shall be equal in quality, design, performance to that scheduled on drawing and related TDMIS specifications.
- B. Conduit shall be 5" schedule 40 PVC per TDMIS-1001,1002 and 1003.
- C. Conduit stand-off bracket shall be Alumaform # CSO-6 or -9 with #STS-5 straps, or engineer approved equal.
- D. Cutouts shall be either 100A or 200A fusible as shown on drawings and shall conform with TDMIS-26.
- E. Lightning arresters shall be "Riser Pole" type and shall conform with TDMIS-27.
- F. Cable and terminations shall conform with TDMIS-1510.

III. Installation

- A. The installation shall be as shown on drawing TDMIS-1301.
- B. Installation shall include all labor, tools, equipment, supervision, and materials for a complete and operational riser assembly.

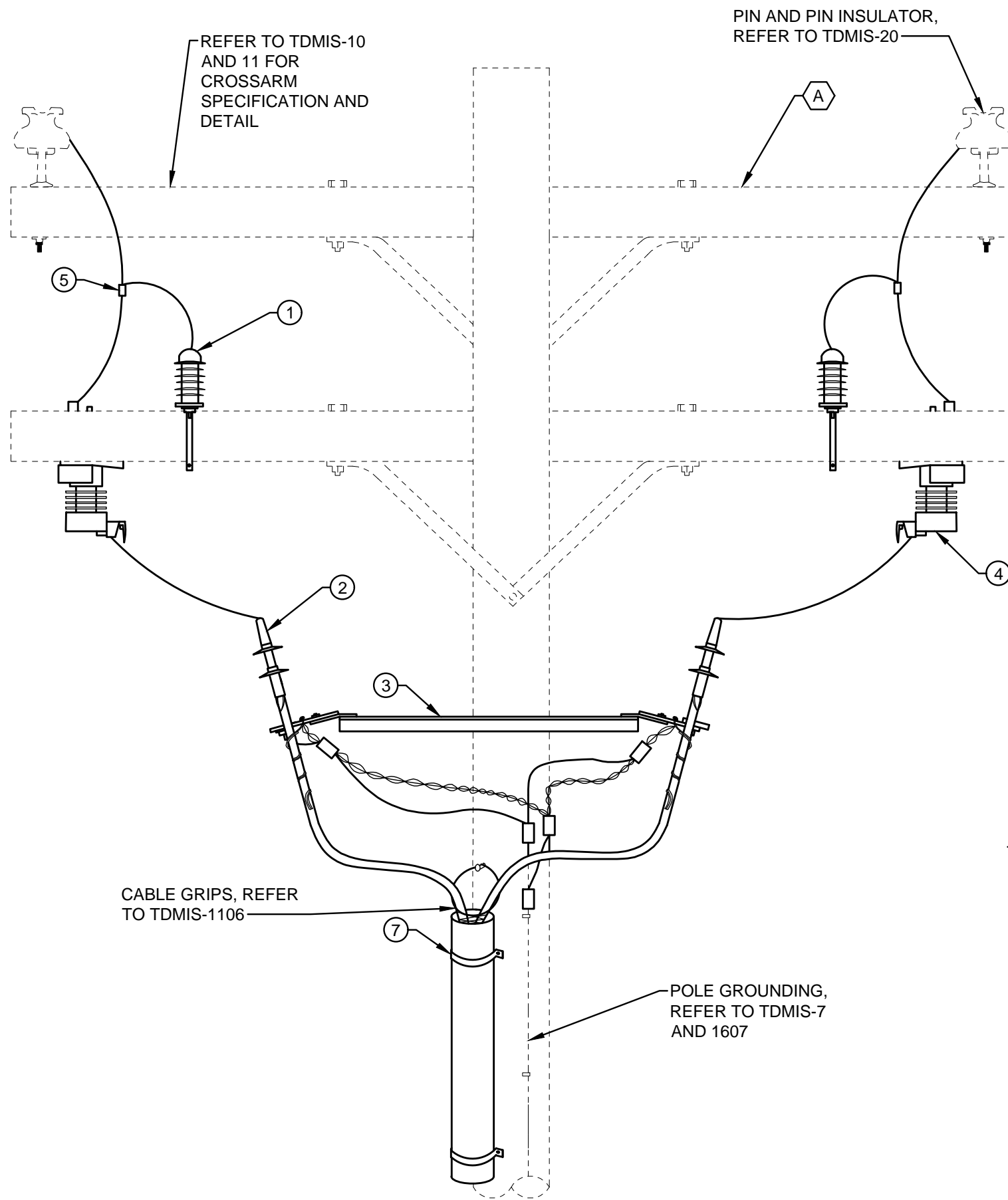
IV. Method of measurement

Measurement shall be for each riser assembly including all labor, equipment, tools, materials, supervision, for a complete and operational system assembly. Cable and cable terminations shall not be included here but rather included with the applicable conductor TDMIS.

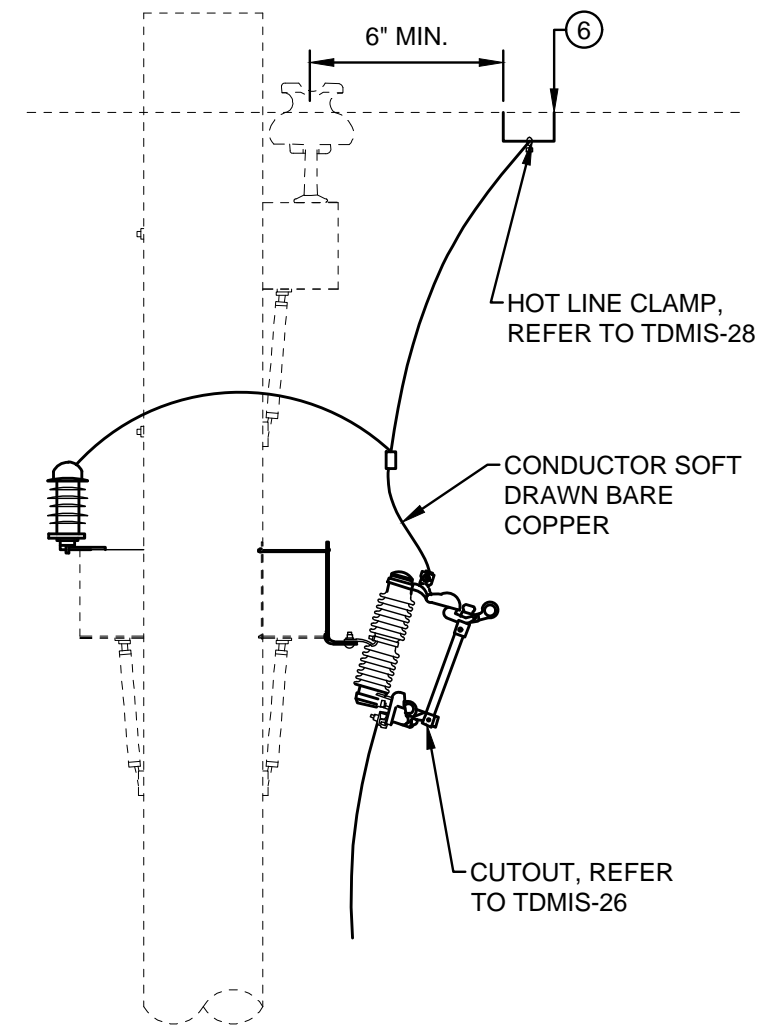
V. Basis of payment

Items	Unit	Description
TDMIS-1301	Each	Single phase primary riser assembly – 200 AMP (two phase conductors)

CITY OF COLUMBUS DEPT. OF PUBLIC UTILITIES – DIVISION OF POWER SINGLE PHASE PRIMARY RISER 200 AMP TWO PHASE CONDUCTORS		
DRAWN BY: AEC	DATE: 01/01/2018	TDMIS-1301
APPROVED: <i>[Signature]</i>		
	SHEET 1 of 2	



DETAIL 1
SINGLE PHASE PRIMARY RISER - 200 AMP (TWO CONDUCTORS)



DETAIL 2
OVERHEAD CONNECTION

CODED NOTES:
 (A) OVERHEAD CONSTRUCTION COULD BE TANGENT, SPACER CABLE OR DEADEND CONSTRUCTION. REFER TO ASSOCIATED TDMIS RESPECTIVELY.

ITEM LIST			
ITEM#	DESCRIPTION	PART #	QTY.
①	LIGHTNING ARRESTER		2
②	CABLE TERMINATOR	21068	2
③	BRACKET		1
④	CUTOUT	20383	2
⑤	CONNECTOR, H-TAP, COMPRESSION		2
⑥	HOTLINE CLAMP		2
⑦	CONDUIT STRAP		AS REQ.

CITY OF COLUMBUS, OHIO
 DEPT. OF PUBLIC UTILITIES - DIVISION OF POWER

**SINGLE PHASE PRIMARY RISER - 200 AMP
 TWO PHASE CONDUCTORS**

DRAWN BY: AEC	DATE: 01/01/2018	TDMIS-1301
APPROVED: <i>[Signature]</i>		
SCALE: NTS	SHEET: 2 OF 2	