

**Transmission & Distribution**  
**Material & Installation Specification**

**Three Phase Primary Riser – 200 Amp**

**I. Quantity**

The base bid shall include the indicated number of Underground Cable Risers of the types specified, furnished, and installed as hereinafter specified.

**II. Material**

- A. The material shall be equal in quality, design, performance to that scheduled on drawing and related TDMIS specifications.
- B. Conduit shall be 5" schedule 40 PVC per TDMIS-1001,1002, and 1003.
- C. Conduit stand-off bracket shall be Alumaform # CSO-6 or -9 with #STS-5 straps, or engineer approved equal.
- D. Cutouts shall be either 100A or 200A fusible as shown on drawings and shall conform with TDMIS-26.
- E. Lightning arresters shall be "Riser Pole" type and shall conform with TDMIS-27.
- F. Cable and terminations shall conform with TDMIS-1510.

**III. Installation**

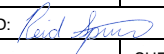
- A. The installation shall be as shown on drawing TDMIS-1302.
- B. Installation shall include all labor, tools, equipment, supervision, and materials for a complete and operational riser assembly.

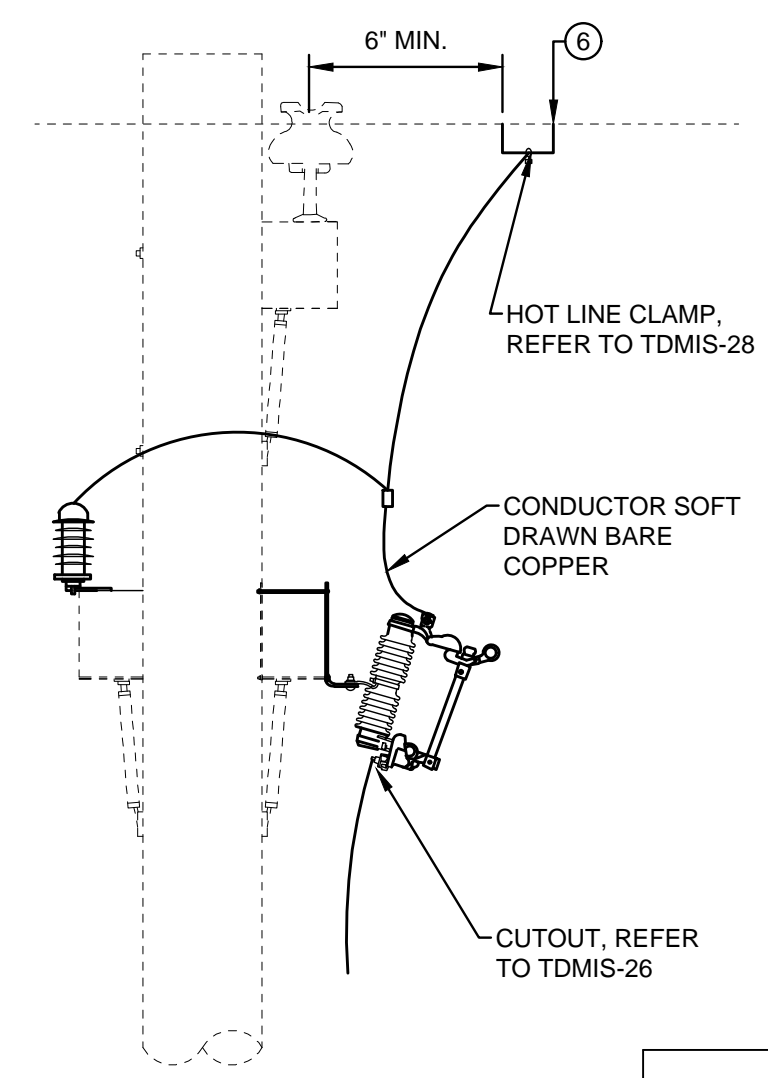
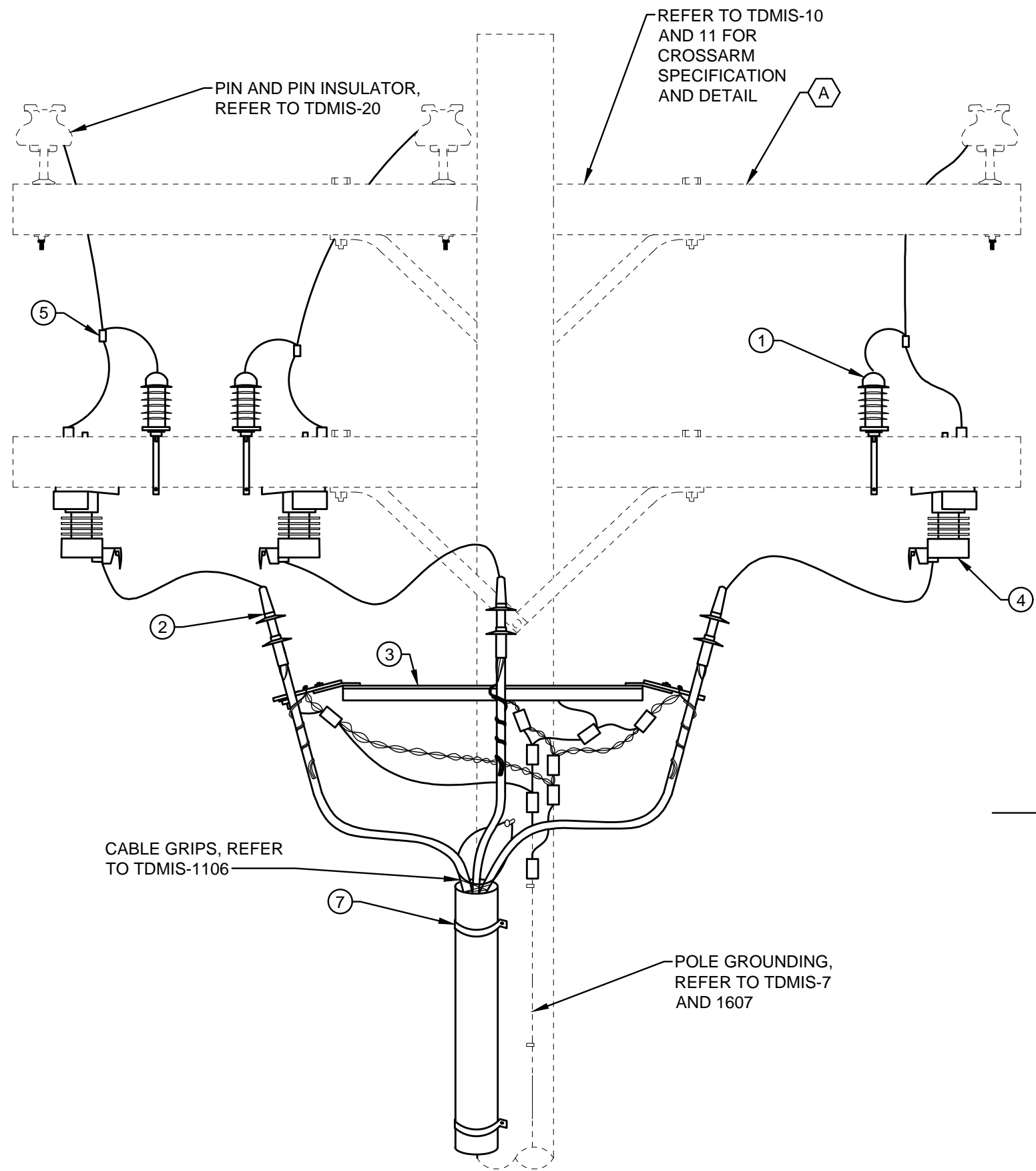
**IV. Method of measurement**

Measurement shall be for each riser assembly including all labor, equipment, tools, materials, supervision, for a complete and operational system assembly. Cable and cable terminations shall not be included here but rather included with the applicable conductor TDMIS.

**V. Basis of payment**

Items	Unit	Description
TDMIS-1302	Each	Three phase primary riser assembly – 200 AMP

CITY OF COLUMBUS DEPT. OF PUBLIC UTILITIES – DIVISION OF POWER THREE PHASE PRIMARY RISER 200 AMP		
DRAWN BY: AEC	DATE: 01/01/2018	<b>TDMIS-1302</b>
APPROVED: 		
SHEET 1 of 2		



**DETAIL 2  
OVERHEAD CONNECTION**

**CODED NOTES:**

Ⓐ OVERHEAD CONSTRUCTION COULD BE TANGENT, SPACER CABLE OR DEADEND CONSTRUCTION. REFER TO ASSOCIATED TDMIS RESPECTIVELY.

ITEM LIST			
ITEM#	DESCRIPTION	PART #	QTY.
①	LIGHTNING ARRESTER		3
②	CABLE TERMINATOR	21068	3
③	BRACKET		1
④	CUTOUT	20383	3
⑤	CONNECTOR, H-TAP, COMPRESSION		3
⑥	HOTLINE CLAMP		3
⑦	CONDUIT STRAP		AS REQ.

**DETAIL 1  
THREE PHASE PRIMARY RISER - 200 AMP**

CITY OF COLUMBUS, OHIO  
DEPT. OF PUBLIC UTILITIES - DIVISION OF POWER

**THREE PHASE PRIMARY RISER - 200 AMP**

DRAWN BY: AEC	DATE: 01/01/2018	TDMIS-1302
APPROVED: <i>[Signature]</i>		
SCALE: NTS	SHEET: 2 OF 2	