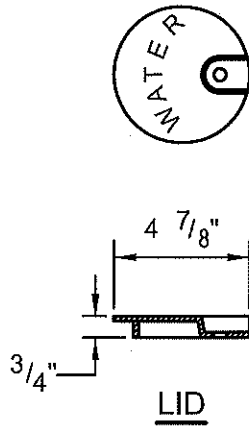
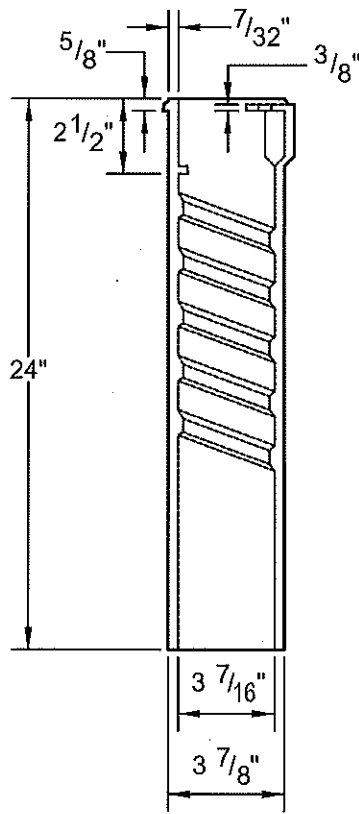


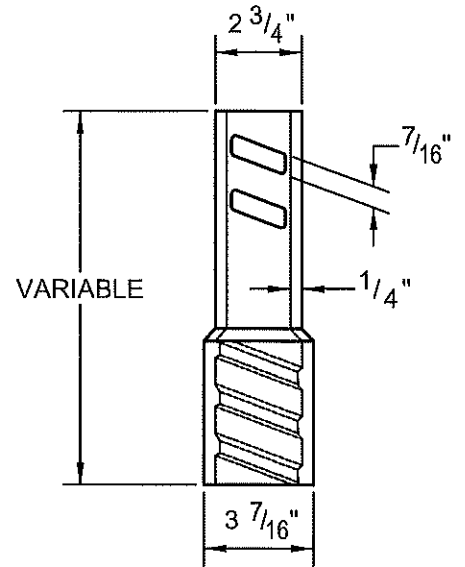
BOTTOM
(22 Pounds)



LID

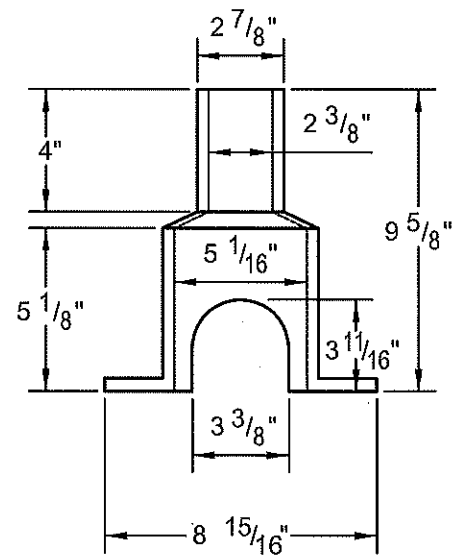


TOP
(19 Pounds)



EXTENSION

- (9" - 7 Pounds)
- (16" - 12 Pounds)
- (28" - 17 Pounds)
- (30" - 19 Pounds)



ENLARGED BASE
(8 Pounds)

L-1001.Dwg Revision Date: 1/2/13

CITY OF COLUMBUS DEPARTMENT OF PUBLIC UTILITIES DIVISION OF WATER	
APPROVED: <i>R.C. West</i> ADMINISTRATOR	1-26-18 DATE

STANDARD DETAIL
TYPICAL CURB BOX

