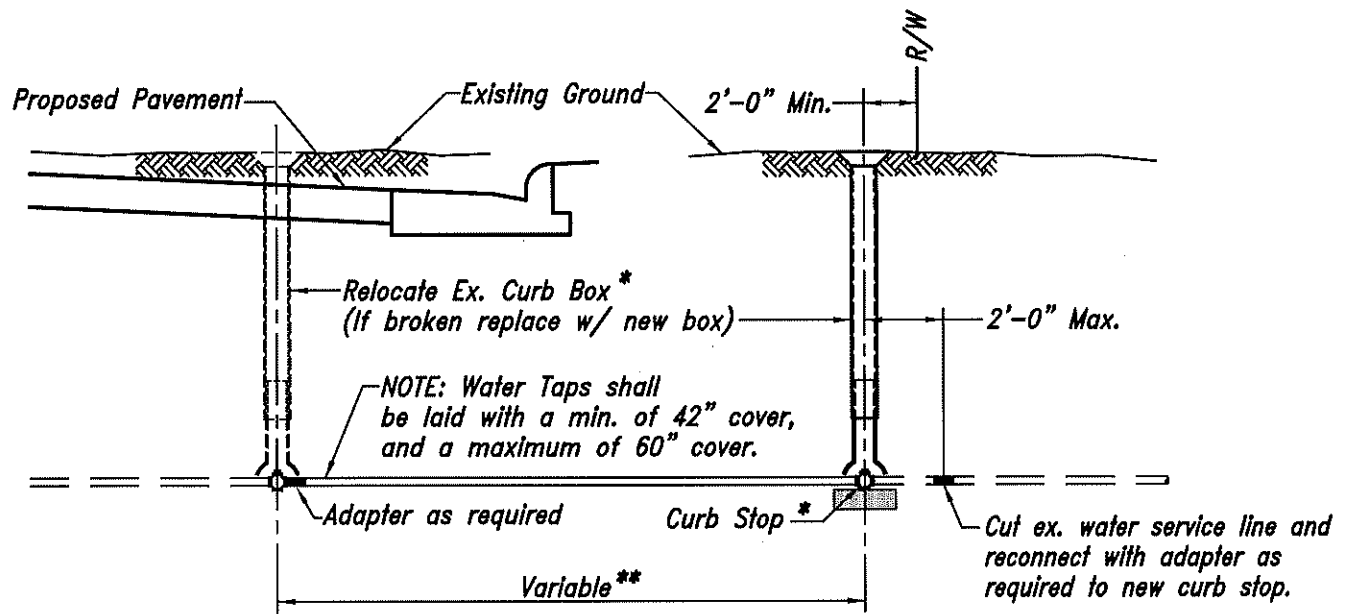


*** NOTE:**
For reference in placing new curb stops and relocated curb boxes see L-9901.

Detail "A"
(w/ Sidewalk)

**** NOTE:**
Should Poly tubing, Galvanized or Lead material be encountered the entire Water Tap shall be replaced w/ Copper from the existing Corporation Stop to the new Curb Stop. Pipe shall be Copper Tubing Size (C.T.S.).



Detail "B"
(w/o Sidewalk)

CITY OF COLUMBUS DEPARTMENT OF PUBLIC UTILITIES DIVISION OF WATER	STANDARD DETAIL WATER TAP EXTENSION AND CURB BOX RELOCATION	
APPROVED: <i>R.C. Westerfeld</i> ADMINISTRATOR		

1-26-18
DATE

L-7102A.Dwg Revision Date: 1/19/18