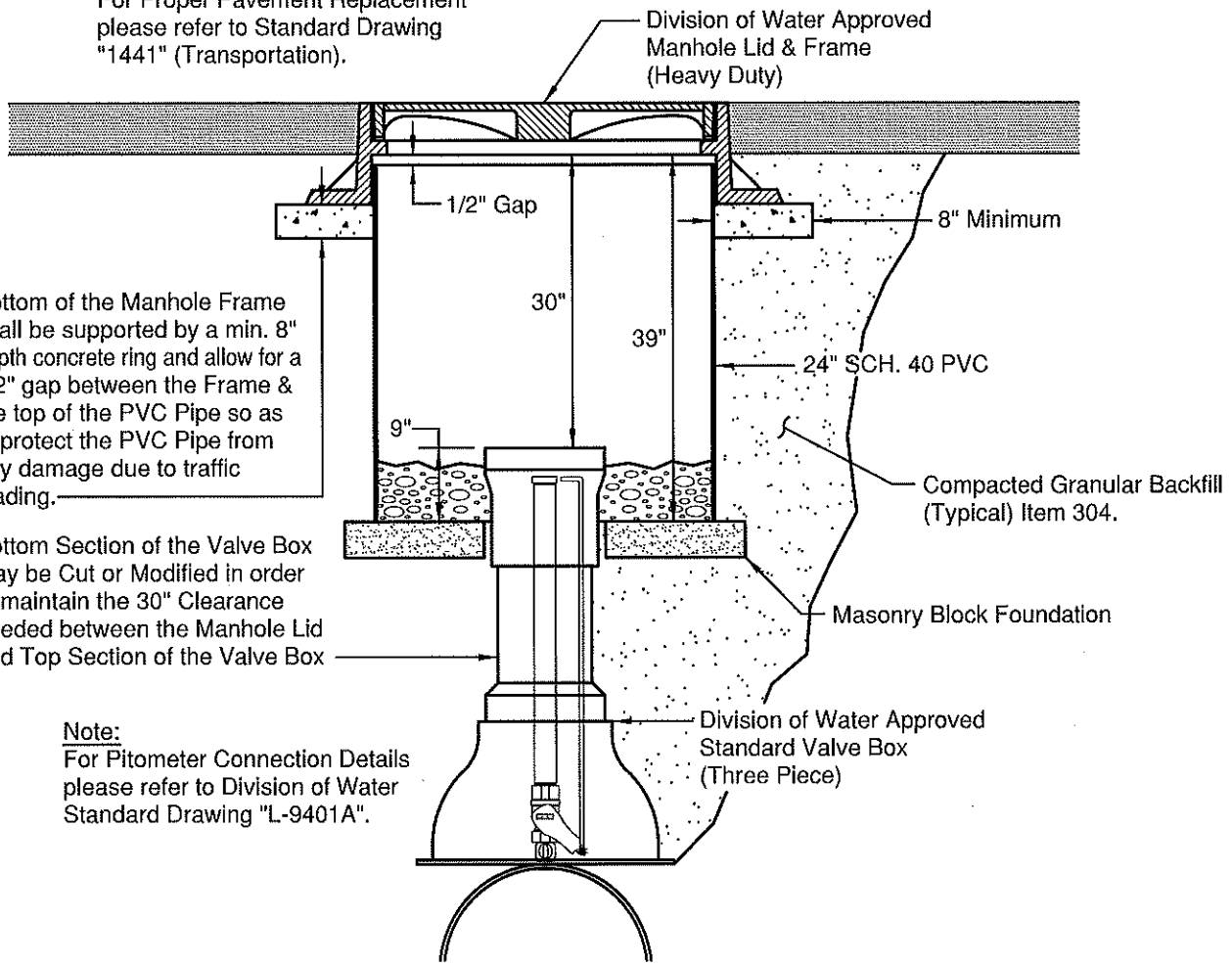


Note:
For Proper Pavement Replacement
please refer to Standard Drawing
"1441" (Transportation).

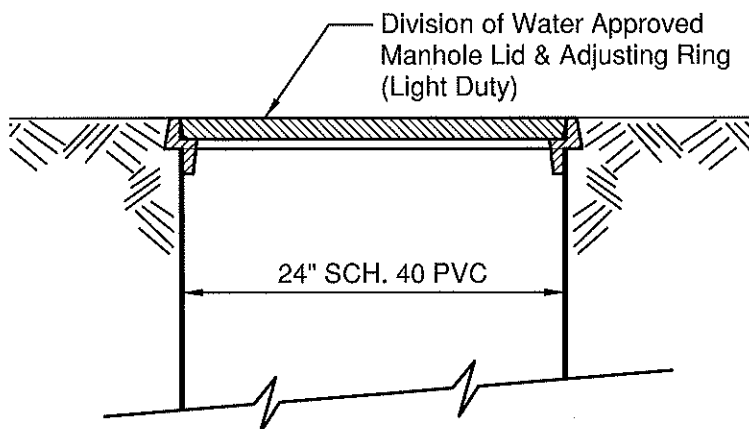
Bottom of the Manhole Frame
shall be supported by a min. 8"
depth concrete ring and allow for a
1/2" gap between the Frame &
the top of the PVC Pipe so as
to protect the PVC Pipe from
any damage due to traffic
loading.

Bottom Section of the Valve Box
May be Cut or Modified in order
to maintain the 30" Clearance
needed between the Manhole Lid
and Top Section of the Valve Box

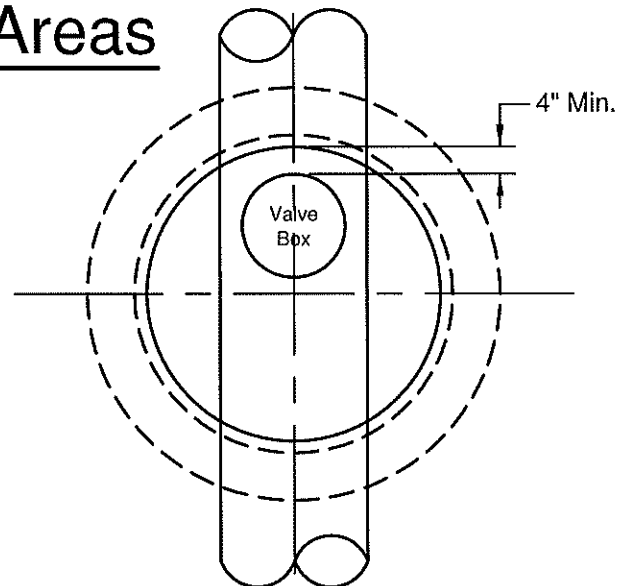
Note:
For Pitometer Connection Details
please refer to Division of Water
Standard Drawing "L-9401A".



In Traveled Areas



Outside Traveled Areas



Plan View

CITY OF COLUMBUS
DEPARTMENT OF PUBLIC UTILITIES
DIVISION OF WATER

APPROVED:

RC Westerfield
ADMINISTRATOR

1-26-18
DATE

STANDARD DETAIL

MANHOLE SET-UP FOR
PITOMETER CONNECTIONS

L-9401B