

NOTES:

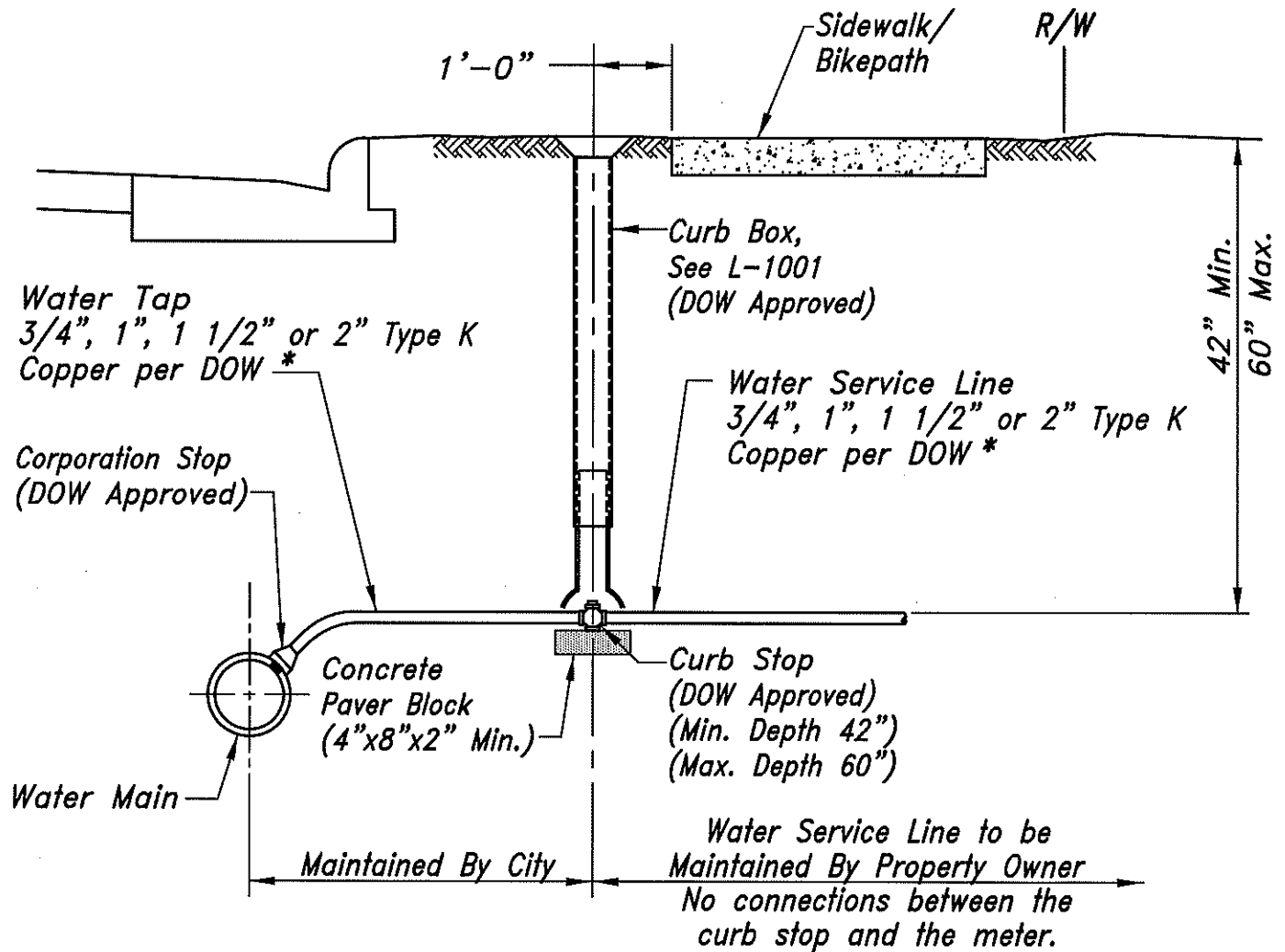
The Curb Box shall be placed 1'-0" from the streetedge of the proposed or existing sidewalk/bikepath, or 2 feet inside the right-of-way or easement line when no sidewalk/bikepath is present or proposed.

When a curb box is installed within a traveled area, the contractor shall install a C.I. Ferrule Box per "L-6320".


The Curb Stop Shall Be Installed with Valve Opening Facing the Structure to be served. The Curb Stop Shall Turn "1/4 Turn" Clockwise From On to Off Position. (Typical)

*** NOTE:**

Pipe Shall Be Copper Tubing Size (C.T.S.)



L-9901.Dwg Revision Date: 1/19/18

CITY OF COLUMBUS DEPARTMENT OF PUBLIC UTILITIES DIVISION OF WATER	STANDARD DETAIL	
APPROVED: <i>R.C. Westerfield</i> 1-26-18 ADMINISTRATOR DATE	CURB BOX INSTALLATION 3/4" THRU 2"	