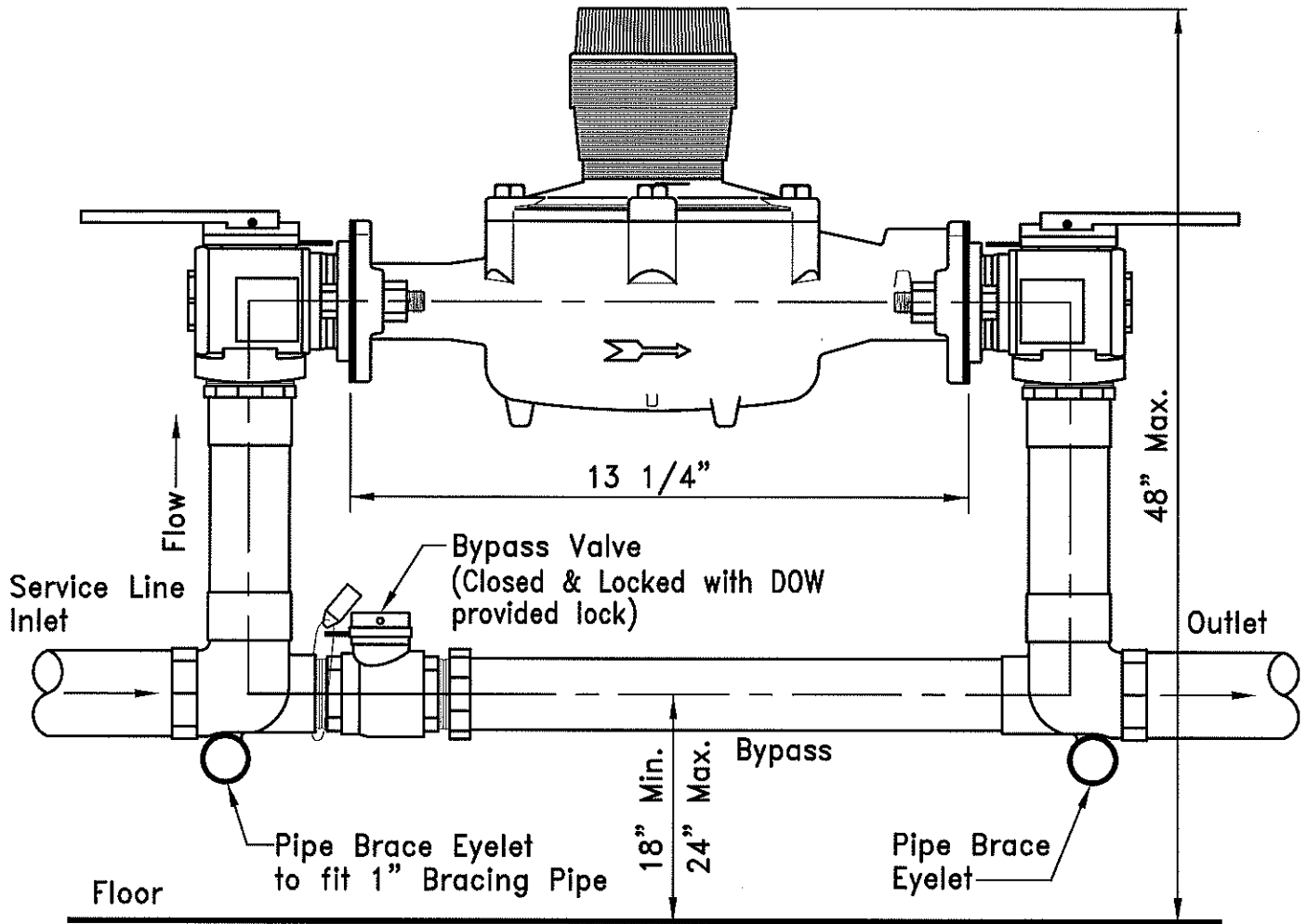


Note:

DOW provided radio transmitter shall be installed outside building per L-6101



No connections permitted between R/W service valve and the meter.

Meter Setter shall be installed as shown above.

There shall be no more than one piping bend before the Meter Setter.

Meter Setter shall be securely supported to the floor or a lateral wall.

Meter Setter shall be installed within 2' of the service entrance to the building. A minimum of 12" from any lateral obstruction behind and 24" minimum clearance in front of the Meter Setter is required.

For Additional Details please refer to Standard Detail Drawing L-9002C

L-6317D.Dwg. Revision Date: 1/26/18

CITY OF COLUMBUS
DEPARTMENT OF PUBLIC UTILITIES
DIVISION OF WATER

APPROVED:
R.C. Westphal
ADMINISTRATOR

2-20-18
DATE

STANDARD DETAIL

1 1/2" METER SETTER

L-6317D