

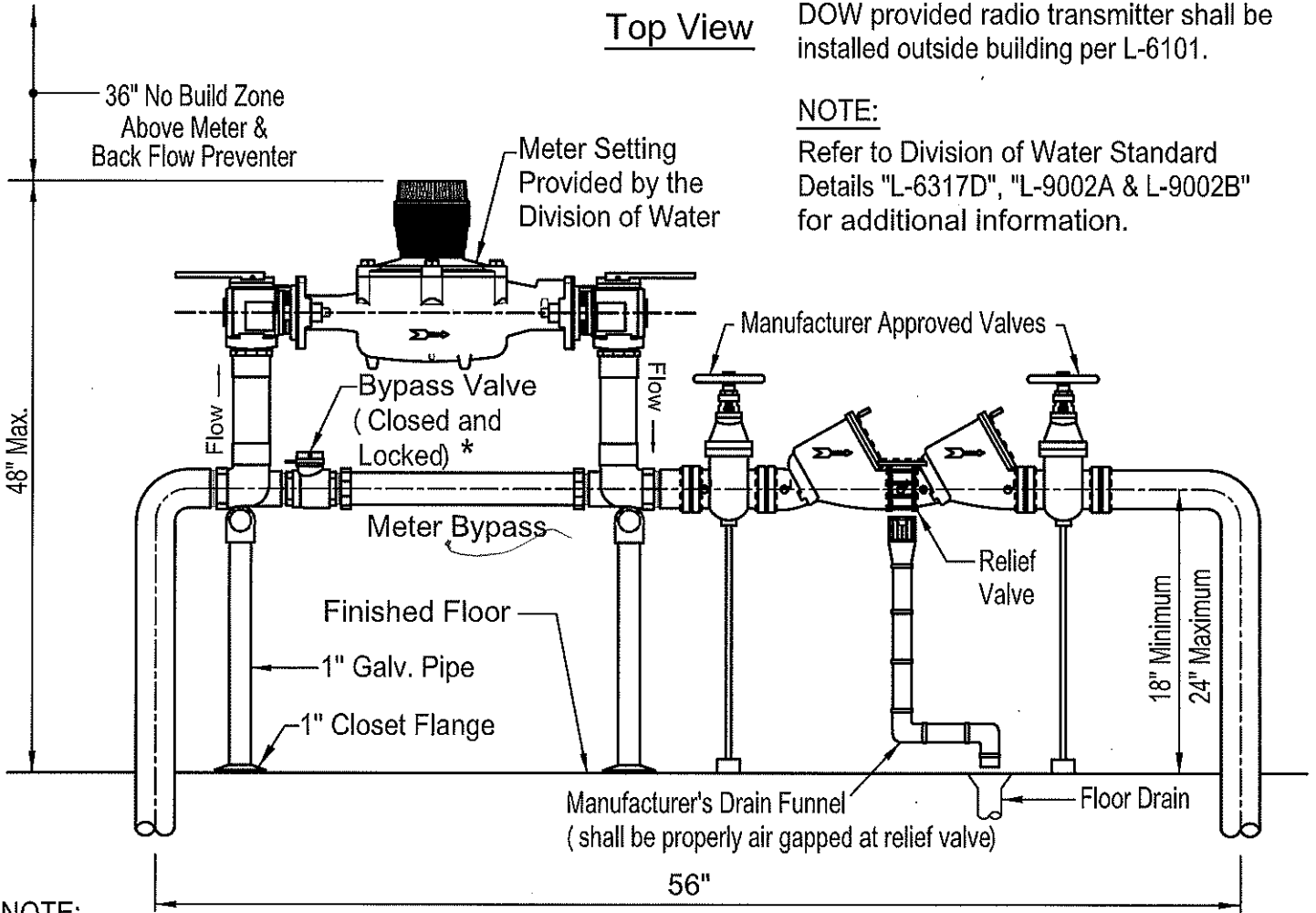
Top View

NOTE:

DOW provided radio transmitter shall be installed outside building per L-6101.

NOTE:

Refer to Division of Water Standard Details "L-6317D", "L-9002A & L-9002B" for additional information.



Side View

* NOTE:

Lock provided by DOW.

NOTE:

A 1.5" Meter is typically installed on a 2" Water Service Line. A 2" Meter on a 2" Water Service Line requires pre-approval by the Division of Water Distribution Engineering Office.

L-9002C.Dwg Revision Date: 1/25/18

<p>CITY OF COLUMBUS DEPARTMENT OF PUBLIC UTILITIES DIVISION OF WATER</p>	<p>STANDARD DETAIL TYPICAL 1 1/2" METER SETTING w/ BACKFLOW PREVENTER</p>	
<p>APPROVED: <i>R.C. Westerfield</i> ADMINISTRATOR</p> <p>1-26-18 DATE</p>		