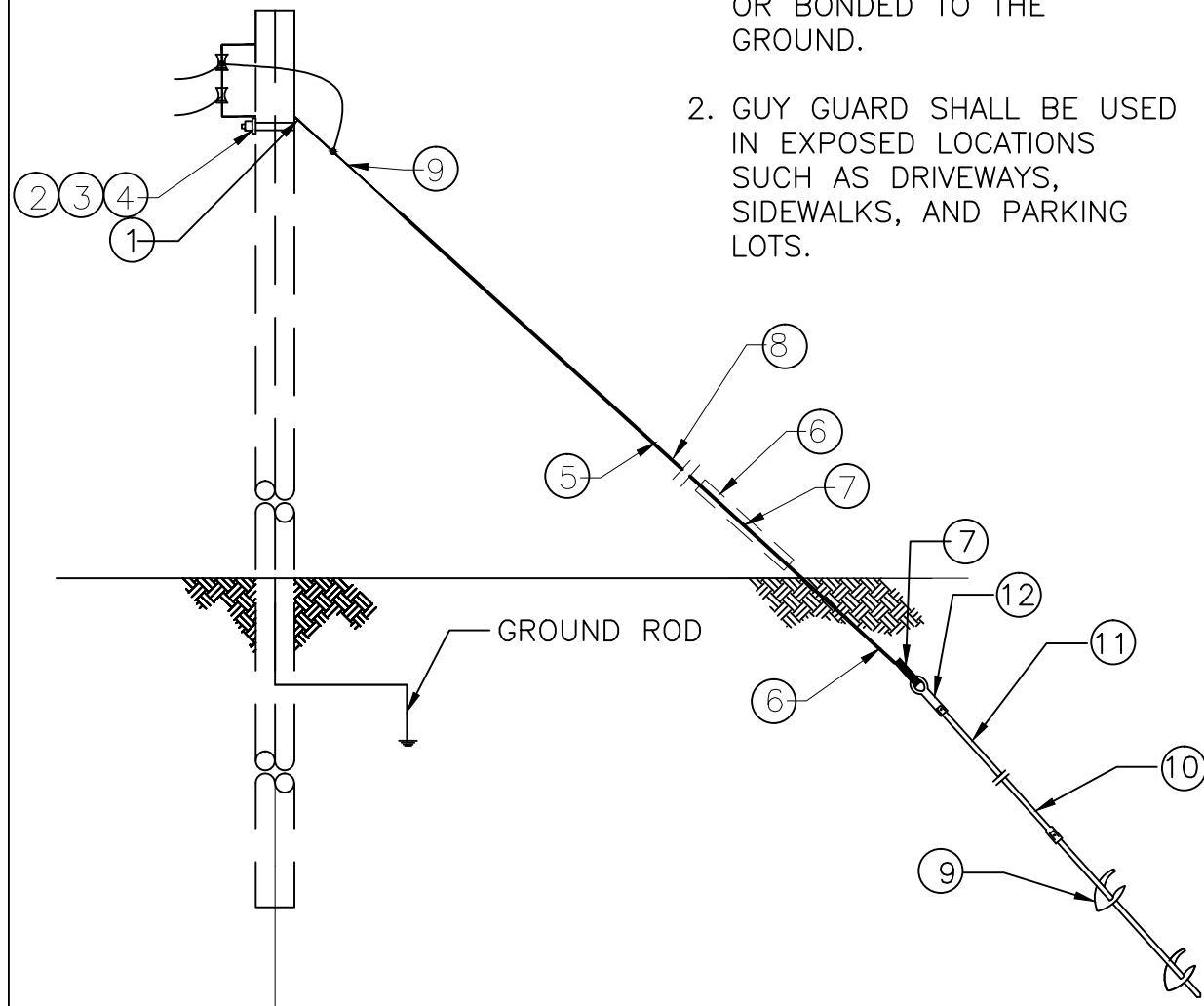


NOTES:

1. GUY SHALL BE INSULATED OR BONDED TO THE GROUND.
2. GUY GUARD SHALL BE USED IN EXPOSED LOCATIONS SUCH AS DRIVEWAYS, SIDEWALKS, AND PARKING LOTS.



ITEM	QTY	DESCRIPTION
1	1 EA.	HOOK, GUY, FOR 5/8" OR 3/4" BOLTS
2	1 EA.	BOLT, MACHINE 5/8" X 12"
3	1 EA.	WASHER, CURVED, SQUARE, 2-1/4" C 2-1/4", 11/16" HOLE
4	1 EA.	WASHER, SPRING LOCK, 11/16" HOLE
5	1 EA.	CONNECTOR, COMPRESSION
6	1 EA.	ANCHOR GUARD, YELLOW PLASTIC
7	2 EA.	GRIP GUY, 3/8" STRAND
8	AS REQ'D	WIRE GUY, 3/8" HIGH STRENGTH 7 STRAND STEEL
9	1 EA.	ANCHOR, SCREW, 1-1/2" SQ. 5' LONG, W/1-12" & 1-10" HELIX
10	1 EA.	EXTENSION, SCREW ANCHOR, 1-1/2" SQ. SHAFT, 7' LONG
11	1 EA.	EXTENSION, SCREW ANCHOR, 1-1/2" SQ SHAFT, 3-1/2' LONG
12	1 EA.	ADAPTER, SCREW DOUBLE EYE, 1-12" SQ. SHAFT

I. MATERIALS

- A. THE MATERIAL SHALL BE EQUAL IN QUALITY, DESIGN, PERFORMANCE AND APPEARANCE TO THE ITEMS SPECIFIED.
- B. ALL STEEL MATERIAL SHALL BE HOT DIPPED GALVANIZED.

II. INSTALLATION

- A. A HOLE SLIGHTLY LARGER THAN THE COLLAPSED ANCHOR SHALL BE BORED TO THE FULL DEPTH OF ANCHOR ALONG THE EXTENDED LINE OF THE GUY.
- B. THE ANCHOR SHALL BE INSTALLED IN THE HOLE AND EXPANDED.
- C. THE ANCHOR HOLE SHALL BE BACKFILLED AND COMPACTED IN 12" LAYERS OF EARTH.
- D. THE GUY WIRE SHALL BE INSTALLED AS INDICATED WITH A MINIMUM TENSION OF 150 LBS. OR AS DIRECTED BY THE ENGINEER.
- E. THE LEAD SHALL BE A MINIMUM DISTANCE OF 15' FROM THE POLE, OR AS DIRECTED BY THE ENGINEER.

III. BASIS OF PAYMENT

ITEM	UNIT	DESCRIPTION
MIS-51	EACH	ANCHOR AND DOWN GUY ASSEMBLY, 10,000 LBS

MIS-51

DEPARTMENT OF PUBLIC UTILITIES - DIVISION OF POWER
CITY OF COLUMBUS, OHIO

**ANCHOR AND DOWN GUY
ASSEMBLY, 10,000 LBS**

DRAWN BY: DJ	DATE: 1/1/2018	
APPROVED: <i>[Signature]</i>		
SCALE: NONE	SHEET: 1 OF 1	51