

**I. MATERIALS**

A. THE POLE SHALL BE 11'-6" IN LENGTH TO PROVIDE A LIGHT CENTER MOUNTING HEIGHT OF APPROXIMATELY 13'. THE POLE SHALL HAVE A 3" TENON TO MOUNT THE POST TOP LUMINAIRE.

THE POLE SHALL BE A HOLLOW, TRUNCATED CONE OF SUITABLE WALL THICKNESS AND TAPER. THE TAPER SHALL BE REGULAR FROM TOP TO BOTTOM (ANY SECTION SHALL BE CIRCULAR).

THE POLE SURFACE SHALL BE SMOOTH AND UNIFORM IN TEXTURE AND BLACK IN COLOR. THE POLE COLOR SHALL BE ADDED TO THE RESIN AND TRANSMITTED THROUGHOUT THE POLE AND BASE TO BE ONE SOLID COLOR.

THE REINFORCING GLASS SHALL BE A COMMERCIAL GRADE OF "E" GLASS FIBERS IN CONTINUOUS FILAMENT AND WOVEN FILAMENTS, OR A COMBINATION OF SAME. THE GLASS FIBERS SHALL BE TREATED WITH A COUPLING AGENT COMPATIBLE WITH THE RESIN USED.

THE SURFACING LAYER SHALL BE A COMMERCIAL GRADE OF "C" GLASS WITH SUITABLE COUPLING AGENT OR MAY BE AN ORGANIC VEIL COMPATIBLE WITH THE RESIN USED. THE RESIN SHALL BE THERMOSETTING TYPE.

THE SURFACE LAYER SHALL BE HIGH IN RESIN CONTENT, AT LEAST 80% BY WEIGHT, TO ASSURE LONG LIFE WITHOUT GLASS "BLOOMING." THE RESIN SHALL BE A THERMOSETTING-TYPE AND SHALL CONTAIN ULTRA-VIOLET INHIBITORS AND PIGMENT THROUGHOUT.

THE SURFACE MAY BE PAINTED WITH AN ULTRA\_VIOLET RESISTANT PAINT. HOWEVER, THE PAINT MAY NOT BE A SUBSTITUTE FOR COMPLETE ULTRA-VIOLET INHIBITION IN THE RESIN USED, NOR FOR THE SURFACING LAYER.

THE POLES SHALL BE FURNISHED WITH A HAND HOLE AND REMOVABLE, LOCKABLE COVER AND SEAL. THE HAND HOLE SHALL BE LOCATED IN THE DECORATIVE BASE OF THE POLE AND SHALL HAVE MINIMUM DIMENSIONS OF 3-7/8" AT THE TOP, 6-1/2" AT THE BOTTOM AND BE 6-1/8" HIGH. THE COVER SHALL HAVE THE SAME COLOR AND TEXTURE AS THE POLE AND BE EQUIPPED WITH A VANDAL RESISTANT FASTENER.

THE POLE SHALL BE PROVIDED WITH ALUMINUM SHOE WHICH IS PERMANENTLY ATTACHED TO THE BOTTOM OF THE POLE. THE SHOE SHALL BE ADHESIVELY BONDED TO THE POLE AND SHALL ALSO BE MECHANICALLY LOCKED TO THE POLE IN SUCH A MANNER THAT IT CANNOT COME LOOSE EVEN IF THE ADHESIVE BOND FAILS. THE SHOE SHALL BE SLOTTED TO ACCOMMODATE (4)-FOUR 3/4" ANCHOR BOLTS ON THE CIRCLE VARIABLE FROM A MINIMUM OF 9-1/2" DIAMETER TO 12-1/2" DIAMETER. THE POLE SHALL BE SUPPLIED WITH 4-3/4" X 18" LONG ANCHOR BOLTS.

B. THE FIBERGLASS REINFORCED PLASTIC POLE SHALL BE MAIN STREET LIGHTING RTM-SERIES FF-802-BK OR APPROVED EQUAL.

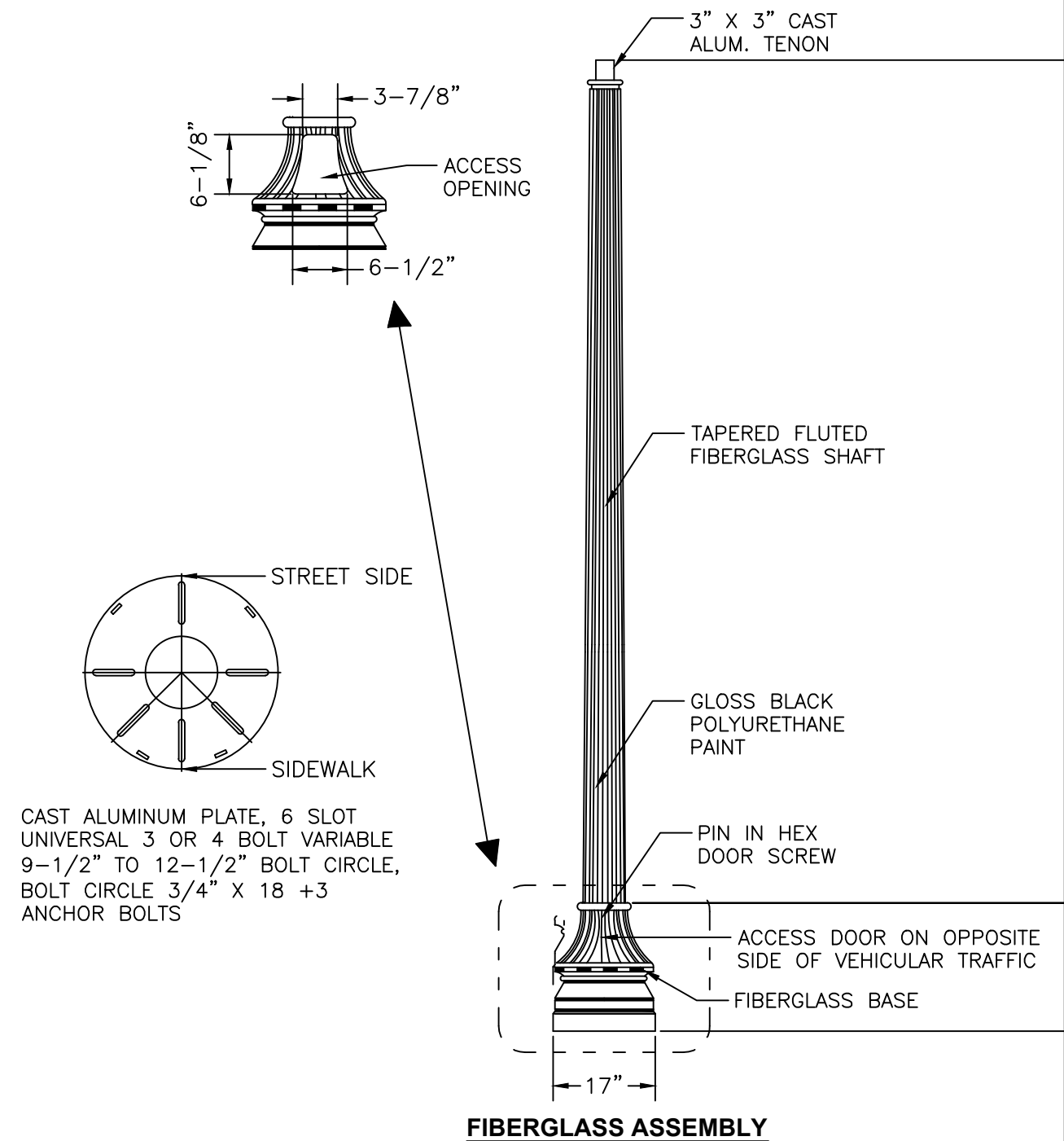
**II. INSTALLATION**

THE POLES SHALL BE PLACED ON THE CONCRETE FOUNDATION WITH SUFFICIENT CARE TO PRESERVE THE EXTERIOR FINISH OF THE POLE AND THE SURFACE OF THE FOUNDATION. THE POLE SHALL BE PLUMBED AND TIGHTENED AS SHOWN ON THE CONTRACT DRAWINGS AND INDICATED IN THE FIELD BY THE ENGINEER.

THE LUMINAIRES SHALL BE INSTALLED ON THE POLES AS SHOWN ON THE CONTRACT DRAWINGS AND INDICATED IN THE FIELD BY THE ENGINEER. ORIENTATION AND LEVELING OF THE UNITS SHALL BE SO AS TO PROVIDE FOR UNIFORM VERTICAL APPEARANCE, MAXIMUM LIGHTING EFFICIENCY AND EASE OF MAINTENANCE, AS DIRECTED BY THE ENGINEER.

**III. BASIS OF PAYMENT**

ITEM	UNIT	DESCRIPTION
MIS-307	EACH	POLE, FIBERGLASS, DECORATIVE



<b>MIS-307</b>	DEPARTMENT OF PUBLIC UTILITIES - DIVISION OF POWER CITY OF COLUMBUS, OHIO		
	<b>POLE, FIBERGLASS, DECORATIVE</b>		
	DRAWN BY: BEN	DATE: 1/1/2018	
	APPROVED: <i>[Signature]</i>		
SCALE: NONE	SHEET: 1 OF 1	307	