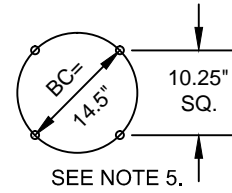
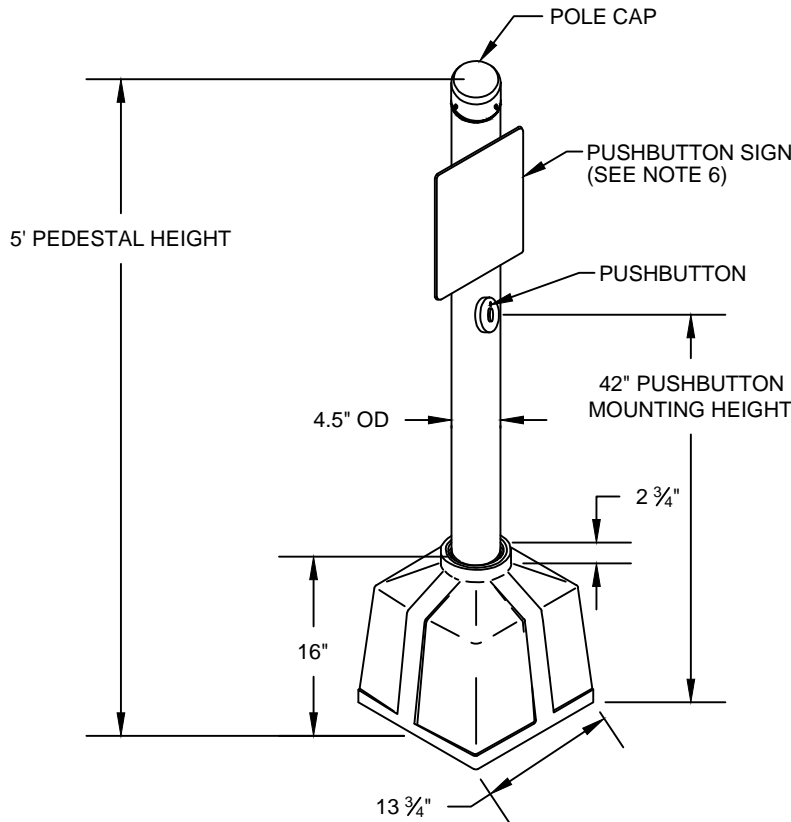


**PLATE PEDESTAL BASE**

**ANCHOR BOLT PATTERN**



SEE NOTE 5.



**NOTES:**

1. PEDESTAL SUPPORTS SHALL BE COATED IN ACCORDANCE WITH THE PLANS.
2. THE POLE SHAFT SHALL BE 46.75" WITH A DIAMETER OF 4" NPT (4.5" OD, SCH 40), & SHALL BE THREADED FOR INSERTION INTO THE BASE.
3. THE 5 FT. STRUCTURE HEIGHT ENCOMPASSES THE BASE HEIGHT PLUS THE INSERTED POLE SHAFT HEIGHT.
4. THE PUSHBUTTON STRUCTURE SHALL BE ALL ALUMINUM.
5. FOR FOUNDATION DETAILS SEE CITY OF COLUMBUS STANDARD DRAWING 4163.
6. FOR PUSHBUTTON SIGN DETAILS, SEE CITY OF COLUMBUS STANDARD DRAWING 4230.

**5' PEDESTAL  
PUSHBUTTON  
MOUNTING**

CITY OF COLUMBUS, OHIO  
DEPARTMENT OF PUBLIC SERVICE  
DIVISION OF DESIGN AND CONSTRUCTION

**STD DWG  
4100**

CITY ENGINEER

10/01/2018

SHT 1 OF 1