

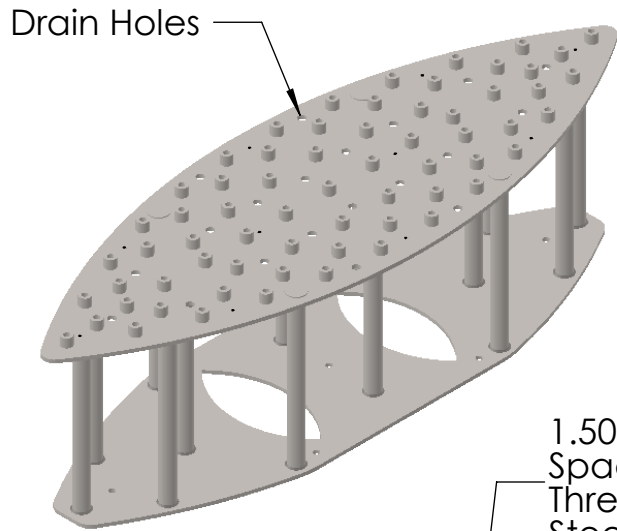
Chrome Plated Eyes

Powder Coated Steel Reeds

11 Ga. Mirrored 304 S.S. Decorative Top Plate

Steel Pedestal Base

(4) 3/4" Concrete Wedge Anchors Securing Base To Ground



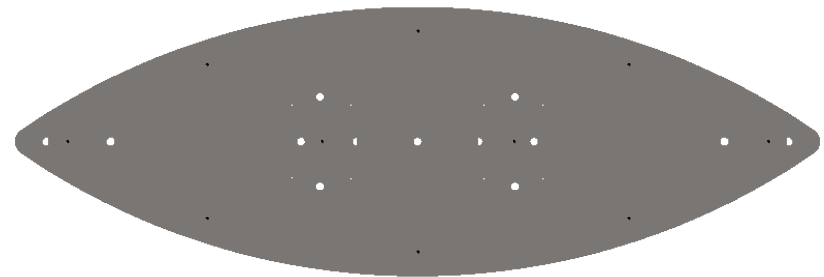
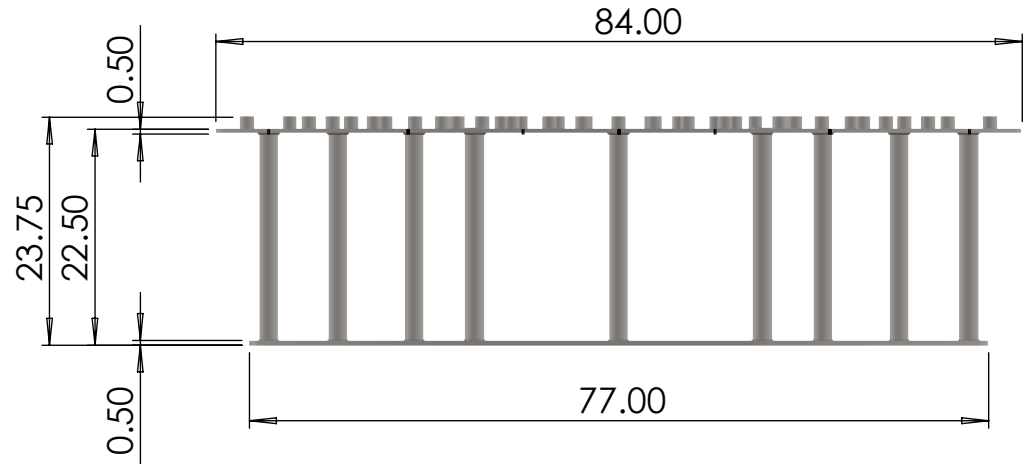
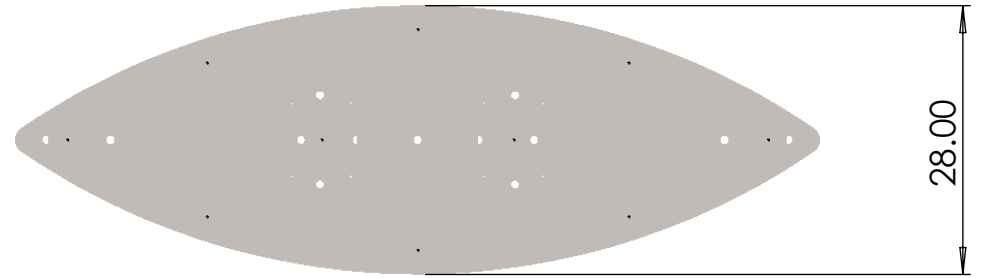
1.50 Dia x 1.25" Tall  
Spacers For Additional  
Thread Engagement On  
Steel Reeds

1/2" HRS Plate

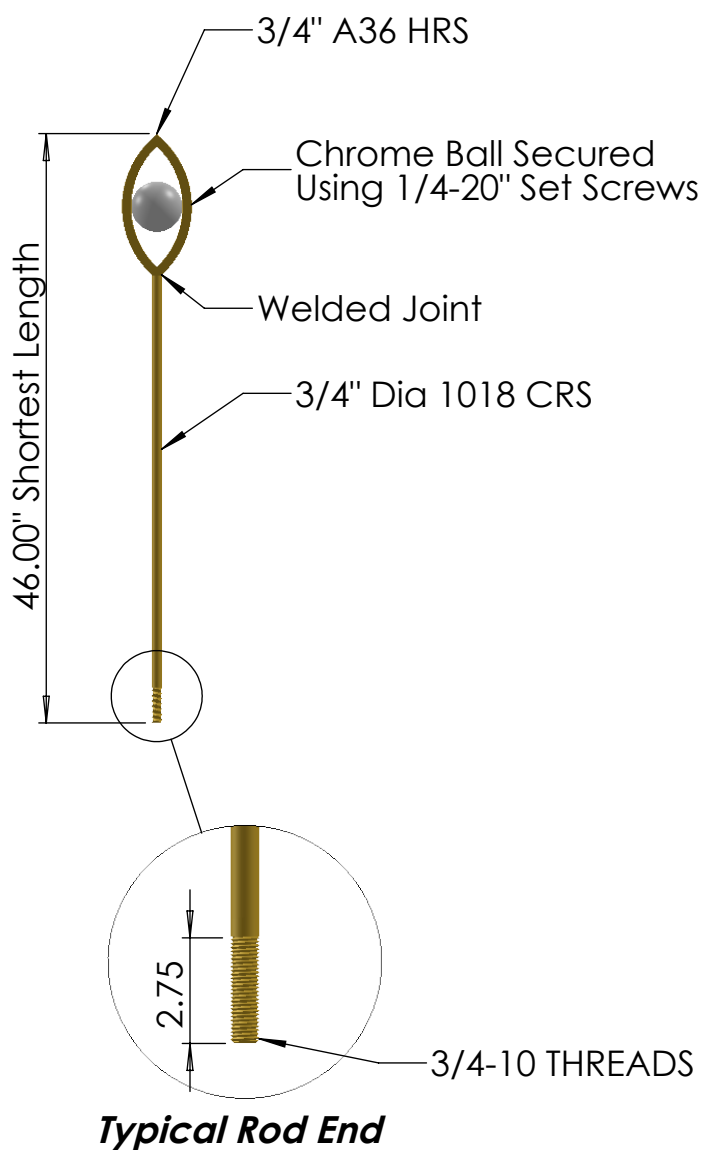
2.00" OD x 1/4" Wall  
Steel Tube

1/2" HRS Plate

24.00

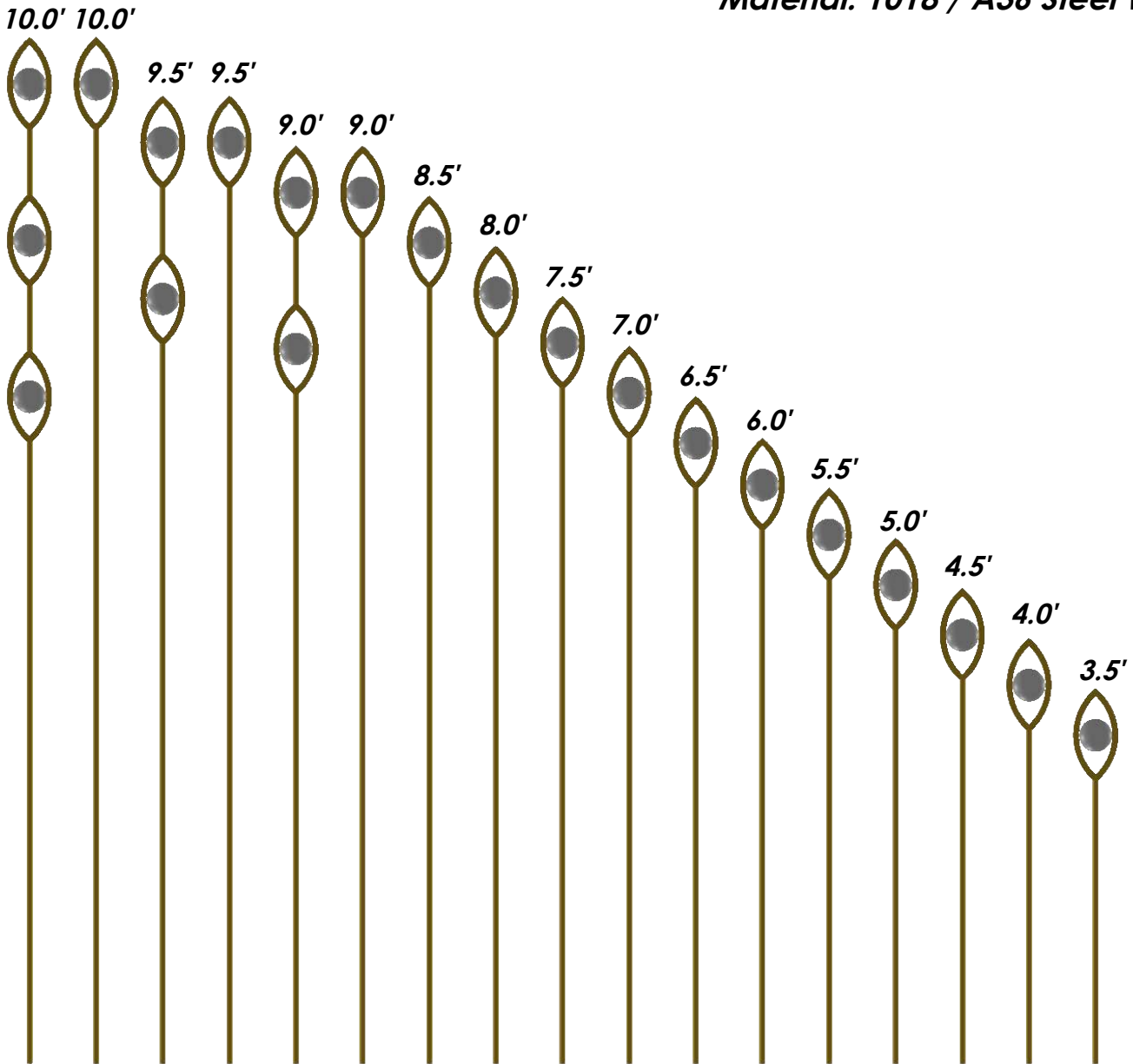


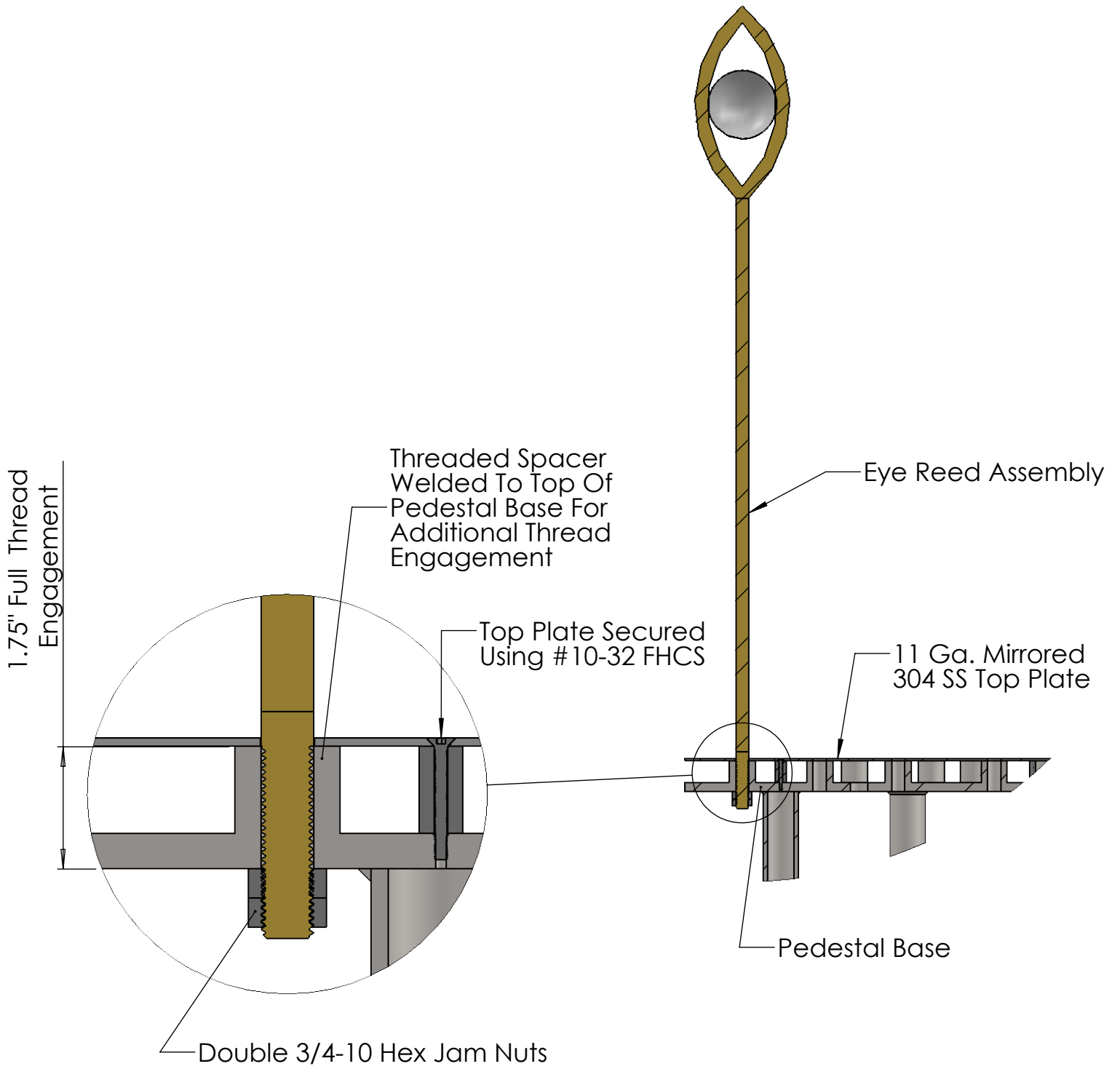
**Pedestal Base**  
**Material: A36 HRS Welded Assembly**  
**Approx. Weight: 550 lbs.**



**Reeds**  
**Material: 1018 CRS / A36 HRS Welded Assembly**  
**(65) Various Length Reeds Per Island**

**Reed Sizes**  
**Material: 1018 / A36 Steel Welded Assembly**





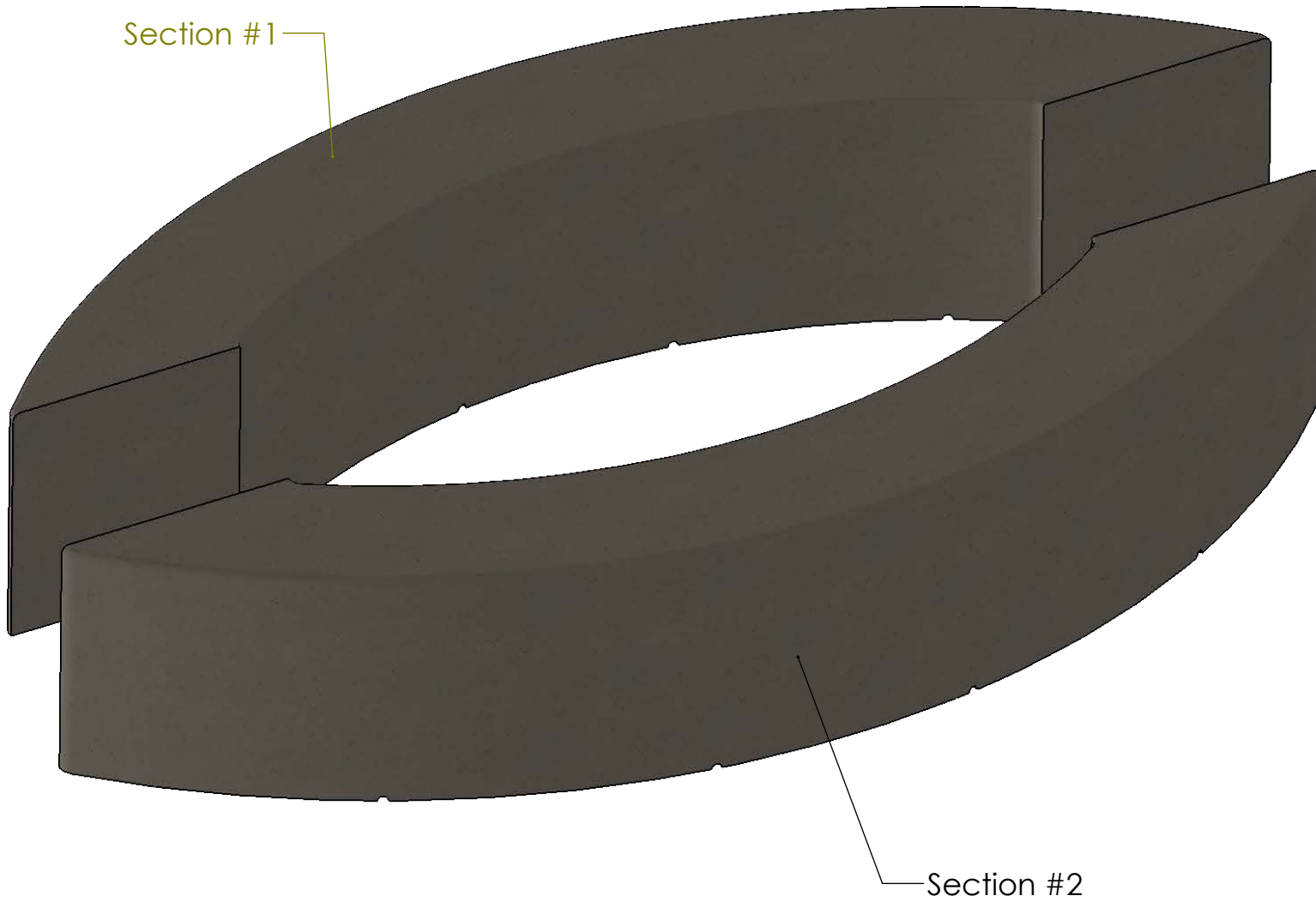
***Typical Reed Connection to Pedestal Base***



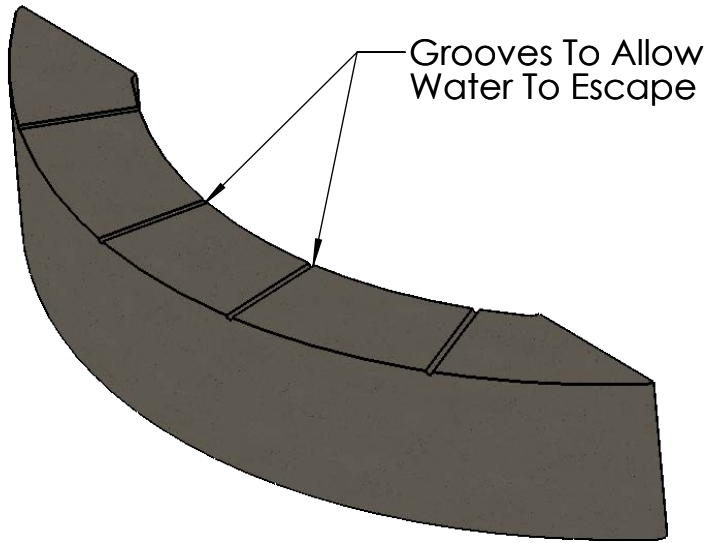
Groove In Bottom Of  
Concrete Sections To  
Release Trapped Water

***Concrete Base / Bench***



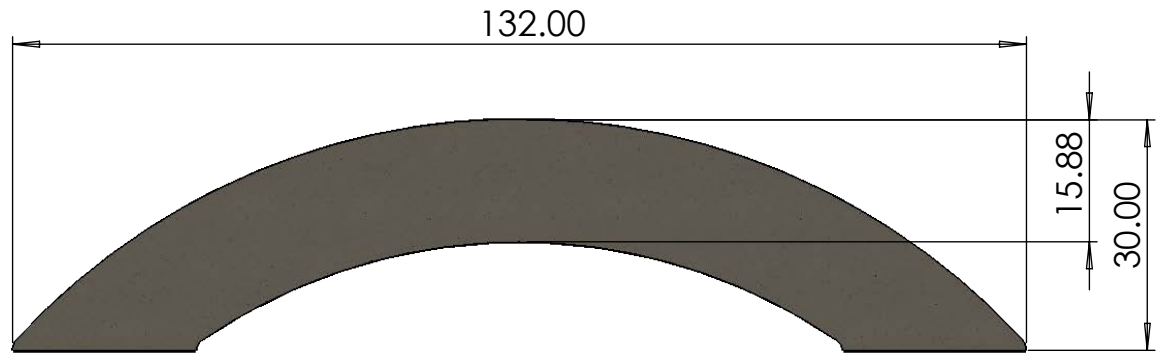


***Concrete Sections***



Grooves To Allow  
Water To Escape

***Bottom View***



***Typical Concrete Section***

