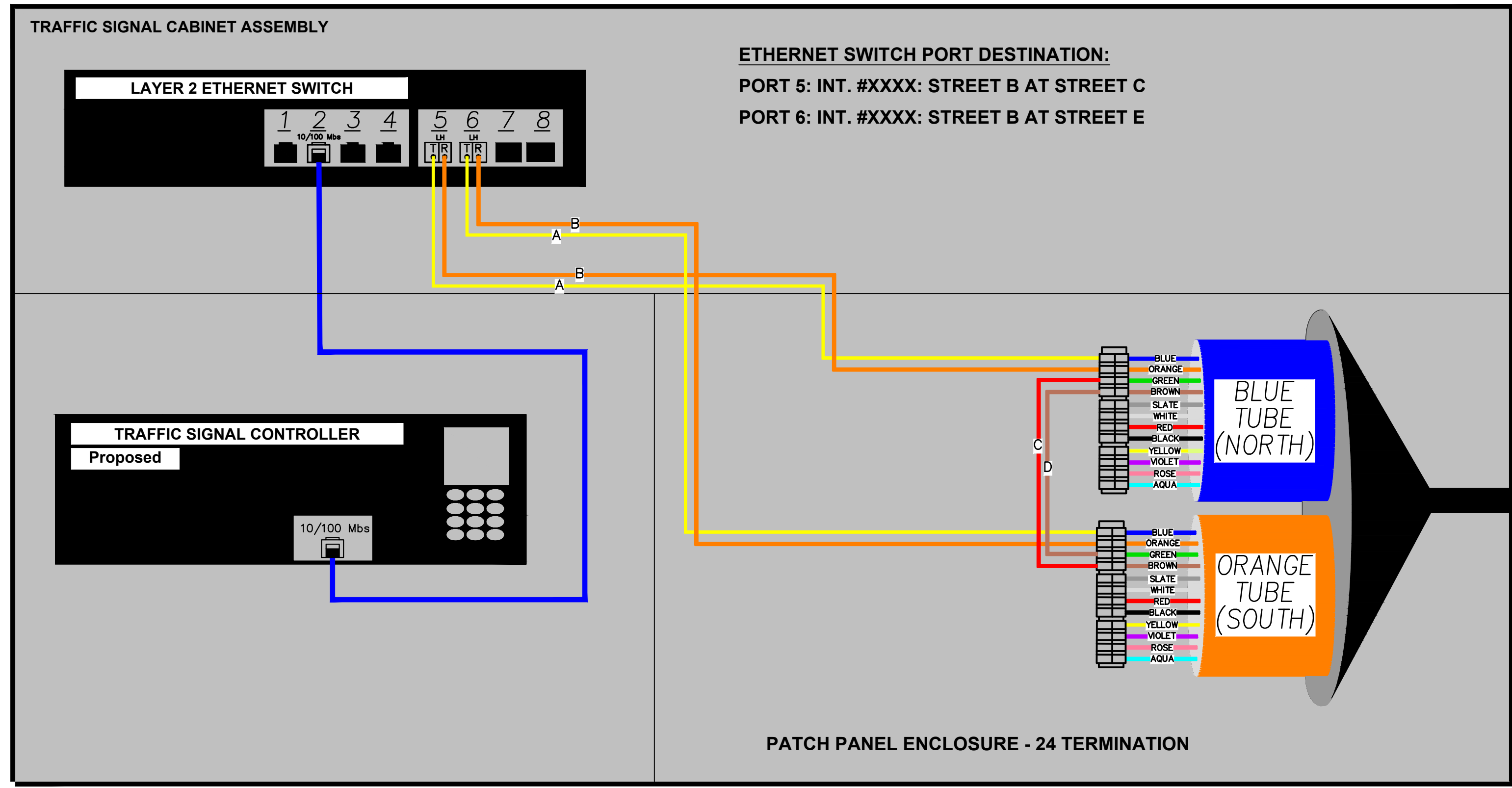
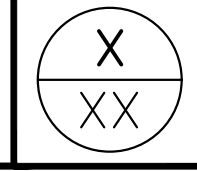


CALCULATED
ABC
CHECKED
ABC

INT. #XXXX: STREET A AT STREET B
COMMUNICATIONS DIAGRAM

IMPROVEMENTS OF ...
STREET A FROM STREET B TO STREET C

XXXX-E



SAMPLE PLAN LEGEND

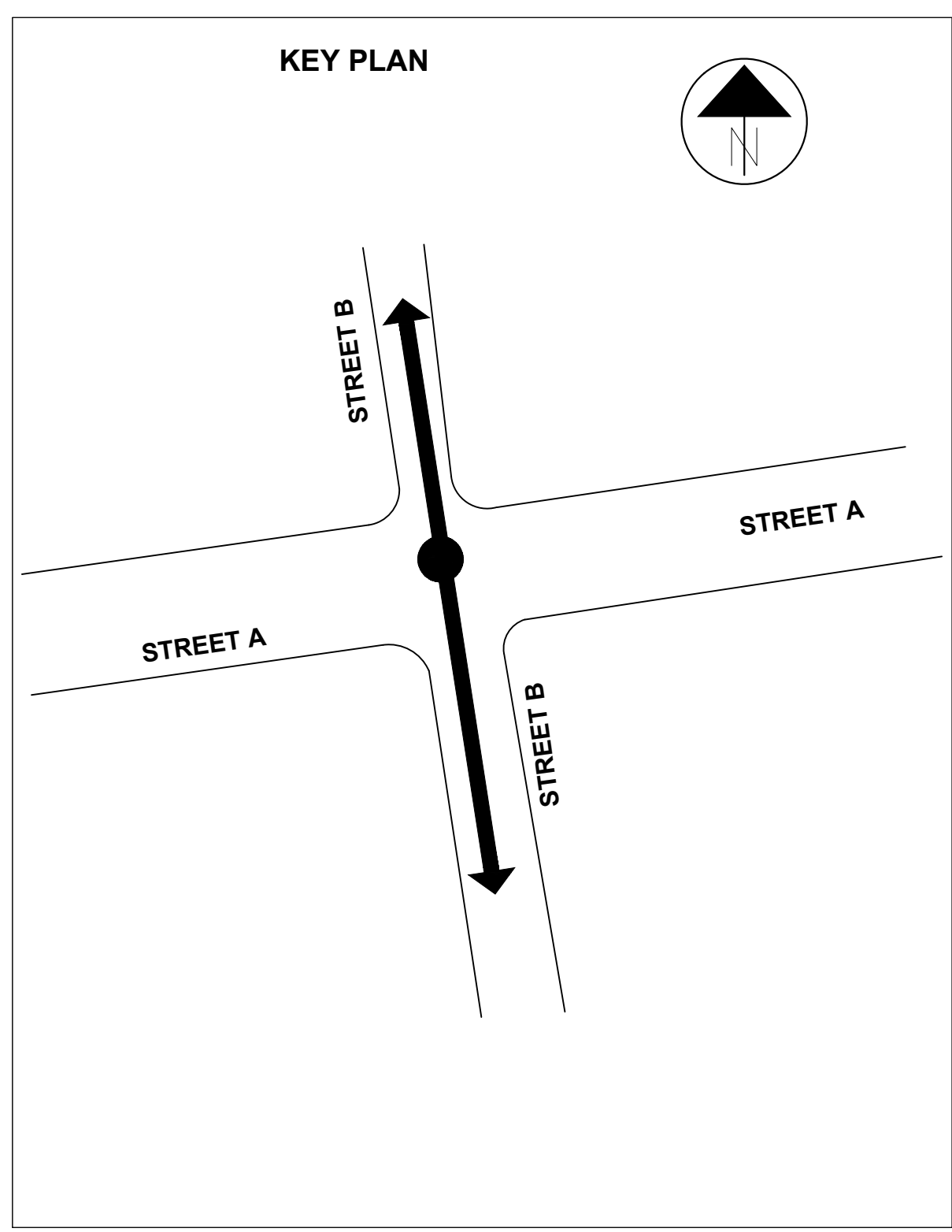
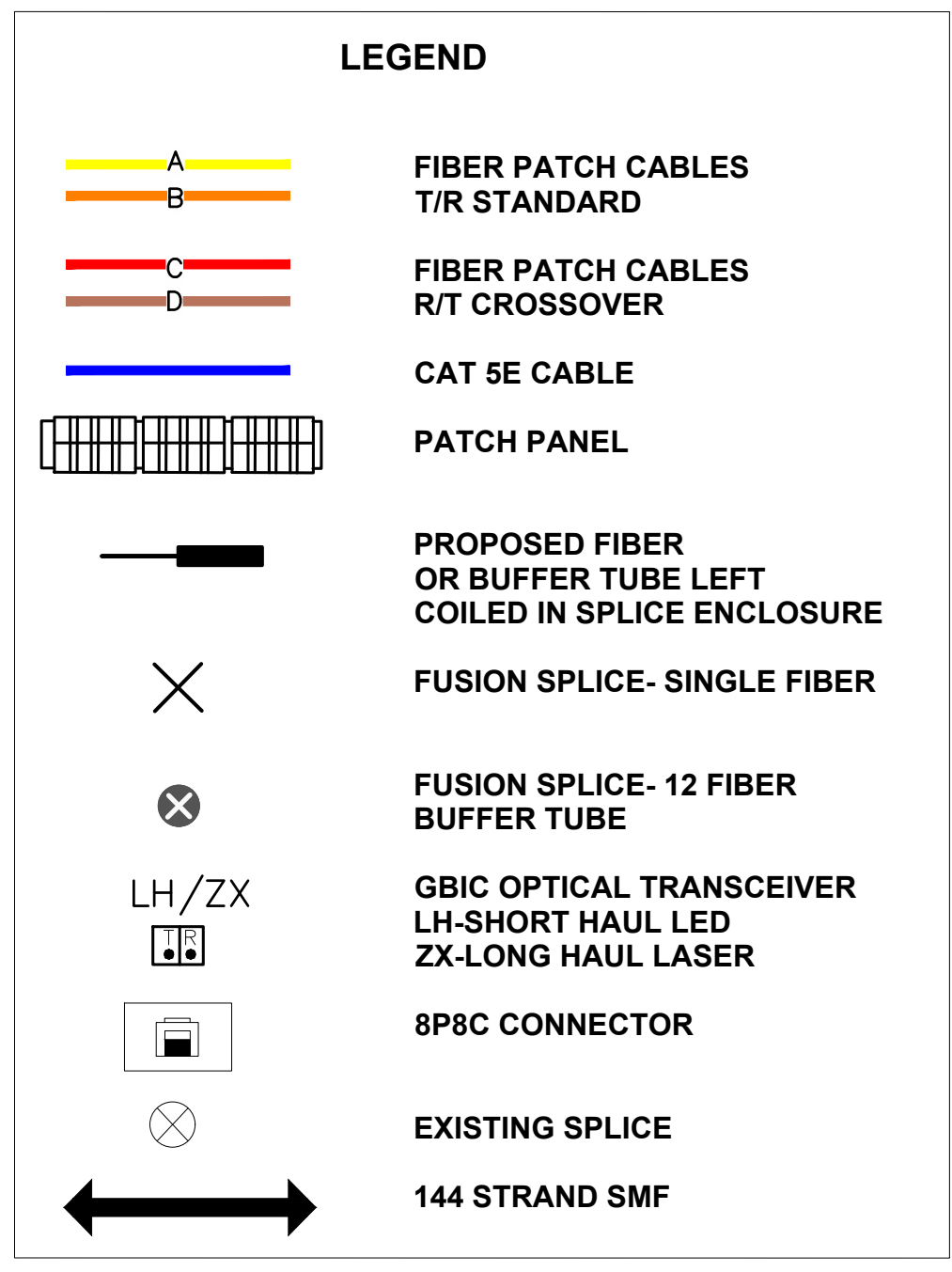
XXXXX = FILL IN INTERSECTION NUMBER

_____ = FILL IN COMMUNICATION HUB ADDRESS

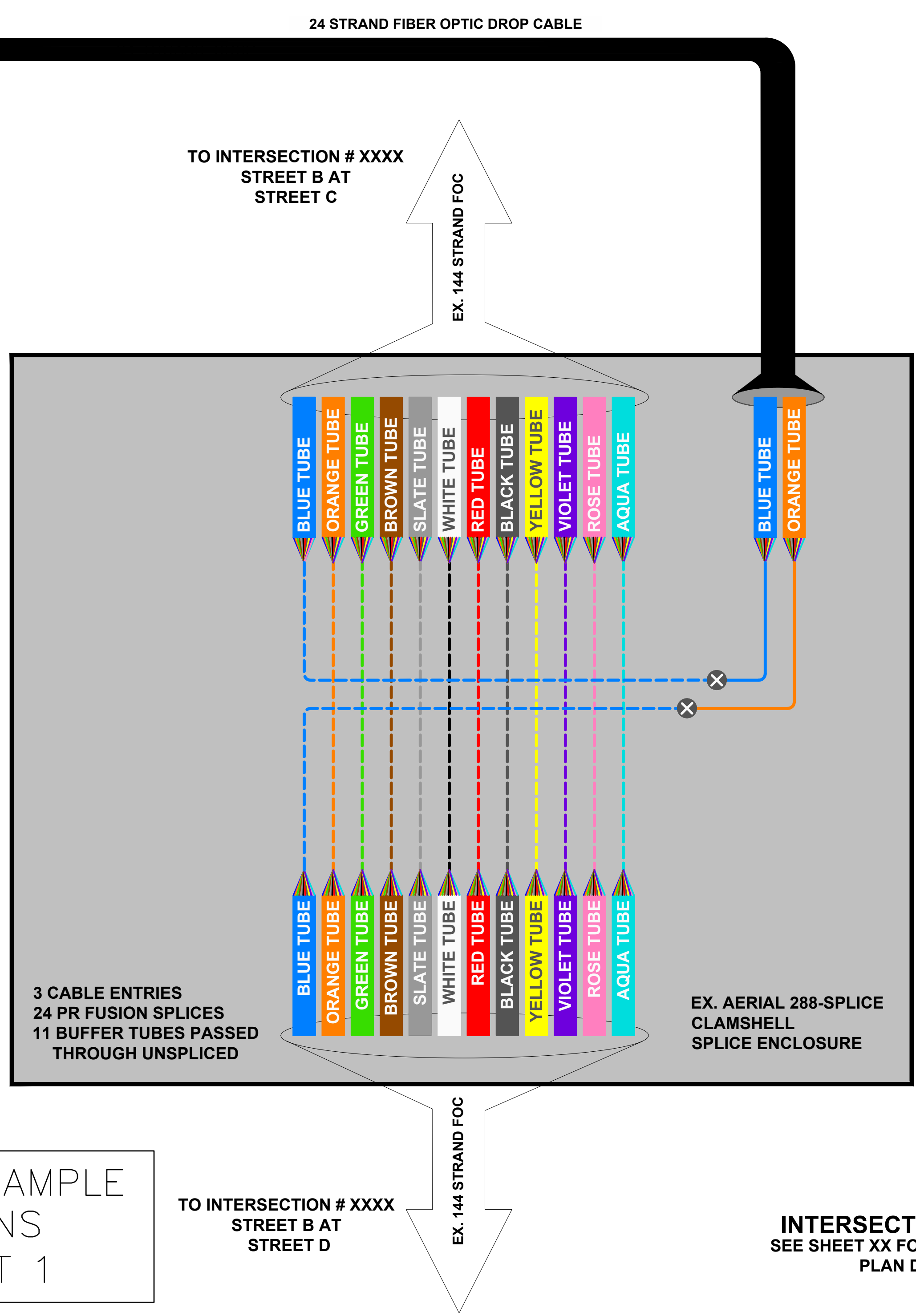
DESIGNER NOTES:

1. Existing buffer tubes and patching cables shall use dashed lines.

2. Proposed buffer tubes and patching cables shall use solid lines.

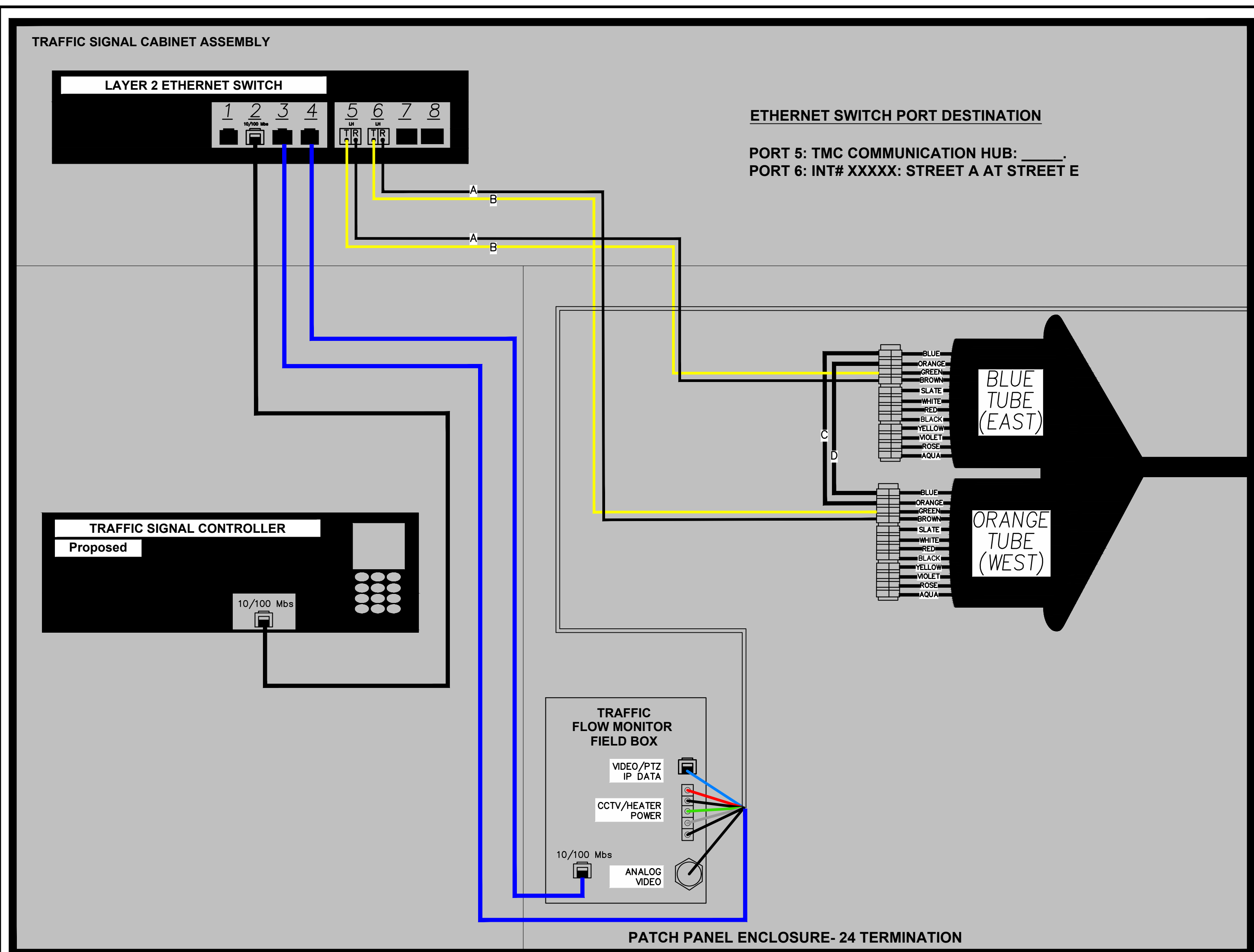


INTERCONNECT EXAMPLE
COMMUNICATIONS
DIAGRAM SHEET 1



INTERSECTION # XXXX
SEE SHEET XX FOR CONSTRUCTION
PLAN DETAILS

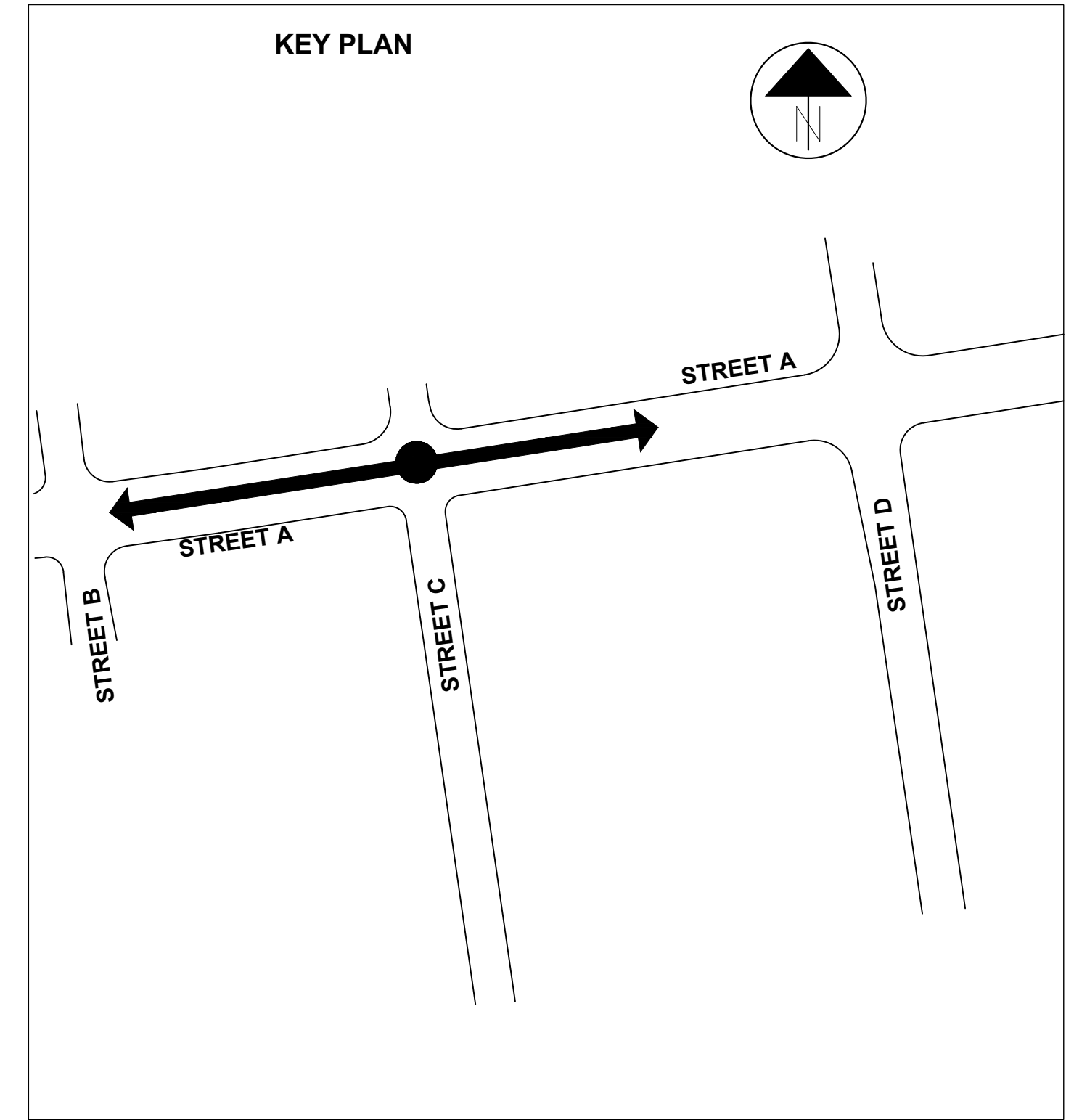
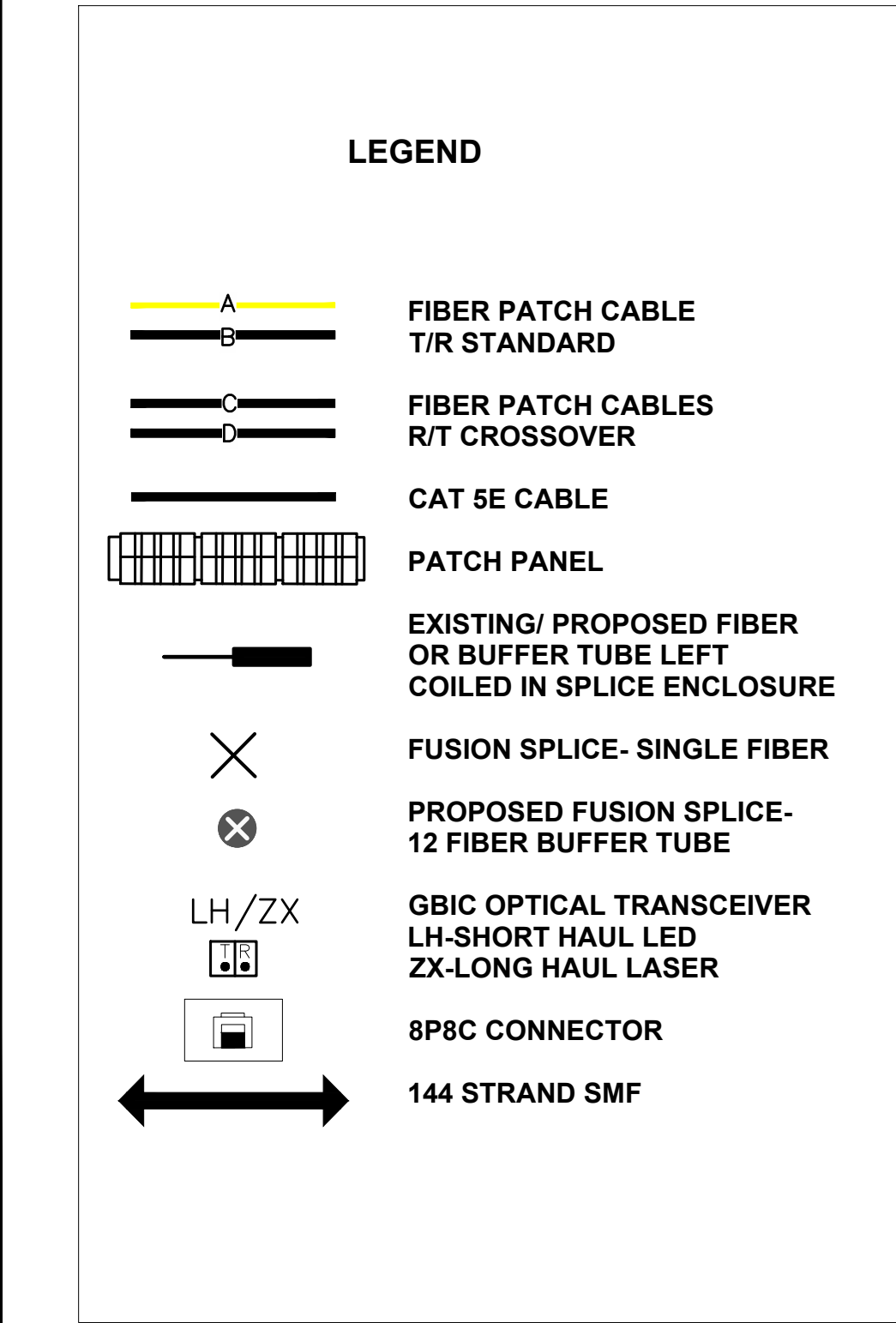
I:\2016\1449\Draw\04\Sheets\03_UPDATED_CITY_SAMPLE_PLANS\Interconnect_Communications.dwg, Last Saved By: Seelings, Brett, 4/16/2020 6:09 PM, Last Printed By: Seelings, Brett, 4/17/2020 4:06 PM (No Xrefs)



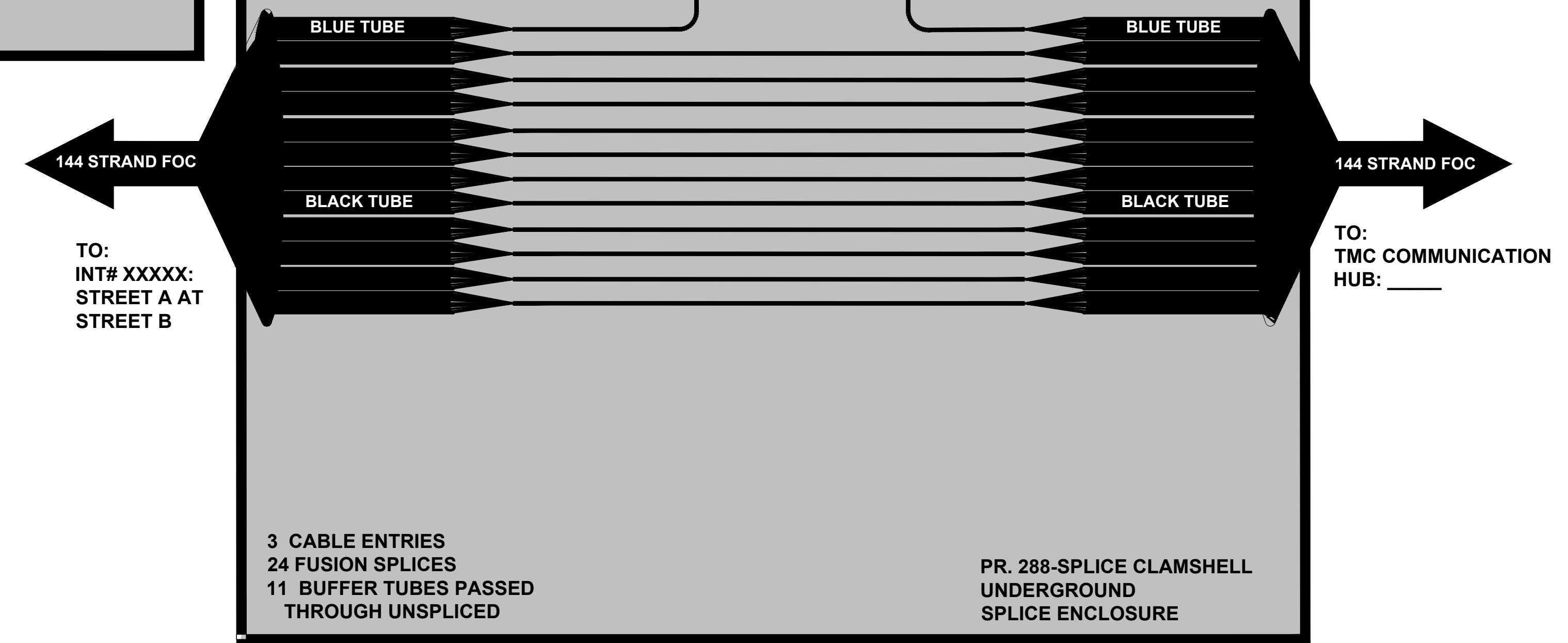
SAMPLE PLAN LEGEND

XXXXX = FILL IN INTERSECTION NUMBER

_____ = FILL IN COMMUNICATION HUB ADDRESS



INTERCONNECT EXAMPLE
COMMUNICATIONS
DIAGRAM SHEET 2



INTERSECTION # XXXX
SEE SHEET XX FOR CONSTRUCTION PLAN DETAILS

CALCULATED ABC		INT. # XXXX: STREET A AT STREET C COMMUNICATIONS DIAGRAM
CHECKED ABC		
IMPROVEMENTS OF...		STREET A FROM STREET B TO STREET C
XXXX-E		