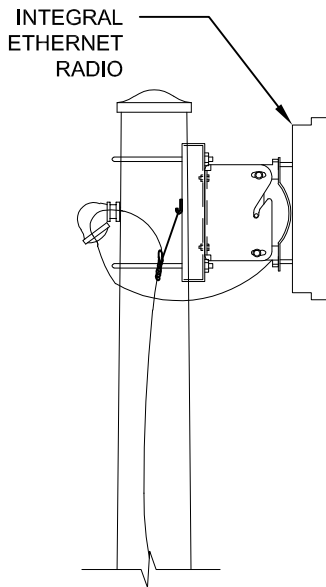
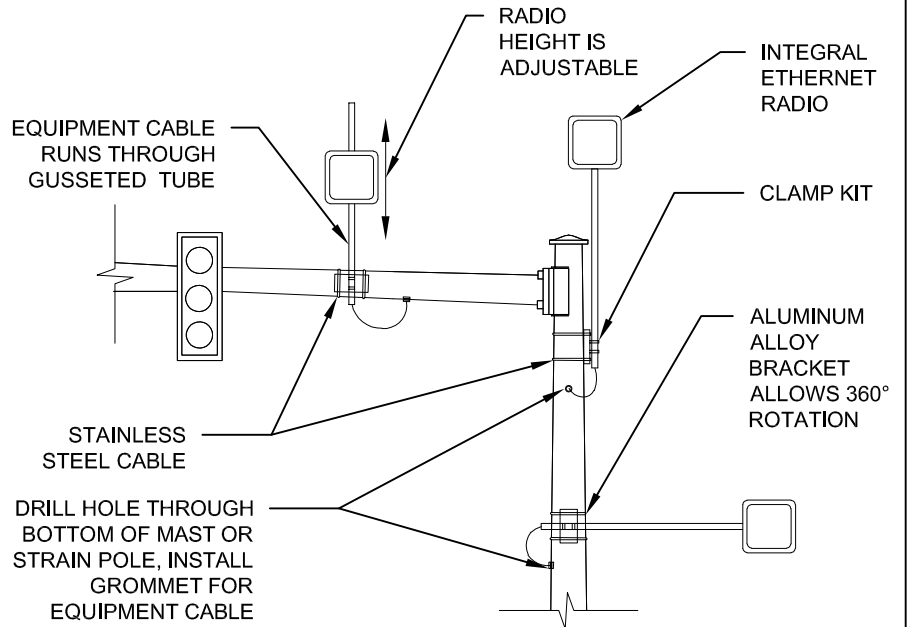


**TYPICAL WIRELESS  
MOUNTING BRACKET DETAIL  
TOP VIEW**



**TYPICAL WIRELESS MOUNTING  
TO POLE DETAIL  
SIDE VIEW**



**TYPICAL WIRELESS MOUNTING  
TO POLE EXTENSION DETAIL  
FRONT VIEW**

**NOTES:**

1. ALL MOUNTING HARDWARE SHALL BE COATED TO MATCH THE FINISH OF THE RESPECTIVE POLE.

# WIRELESS RADIO MOUNTING DETAILS

CITY OF COLUMBUS, OHIO  
DEPARTMENT OF PUBLIC SERVICE  
DIVISION OF DESIGN AND CONSTRUCTION

STD DWG  
**4650**

CITY ENGINEER

07/01/2020

SHT 1 OF 1