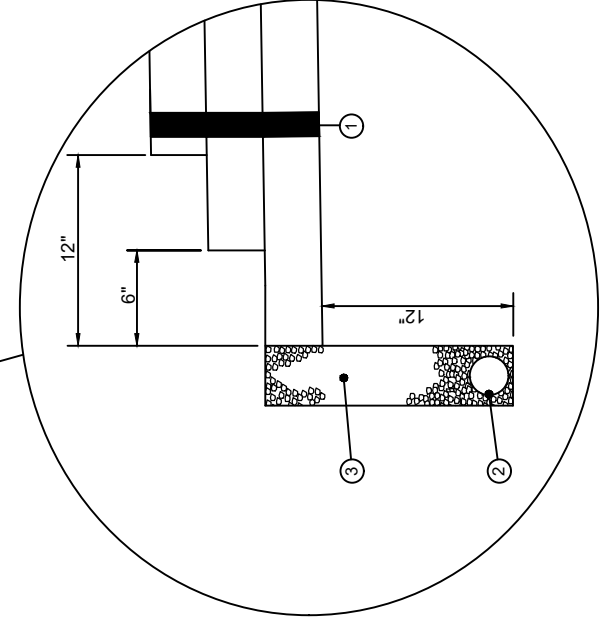


- ① PAVEMENT DESIGN PER CITY OF COLUMBUS  
NON-RESIDENTIAL STREET PAVEMENT DESIGN POLICY
- ② ITEM 605 - 4" PIPE UNDERDRAIN
- ③ NO. 8 OR NO. 57 AGGREGATE
- ④ ITEM 204 - SUBGRADE COMPACTION
- ⑤ ITEM 659 - SEEDING AND MULCHING

NOTES:

- ① DITCH DESIGN PER CITY STORMWATER DRAINAGE MANUAL.
- ② SLOPE: 4:1 PREFERRED  
3:1 MAX



## UNCURBED SECTION SIDE DITCH

CITY OF COLUMBUS, OHIO DEPARTMENT OF PUBLIC SERVICE DIVISION OF DESIGN AND CONSTRUCTION	<b>STD DWG</b> <b>2135</b>
CITY ENGINEER	07/01/2022 SHT 1 OF 1