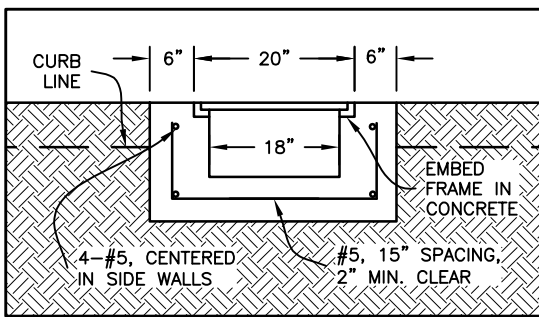


SECTION B-B
NOT TO SCALE



SECTION A-A
NOT TO SCALE

NOTES:

- 1) CONCRETE SHALL BE CLASS COC 6
- 2) WHEN TRENCH DRAINS ARE USED ON WALLED BASINS, THE REBAR SHALL BE EMBEDDED 3" INTO THE FRONT WALL. IF EMBEDMENT IS VIA DRILLING, THEN ALL DOWELS SHALL BE ANCHORED WITH EPOXY

CITY OF COLUMBUS, OHIO DEPARTMENT OF PUBLIC UTILITIES DIVISION OF SEWERAGE & DRAINAGE	TRENCH DRAIN	STANDARD DRAWING AA-S197
APPROVED:	8/26/22 DATE	REVISED 8/26/22
SSES MANAGER		PAGE 1 / 1