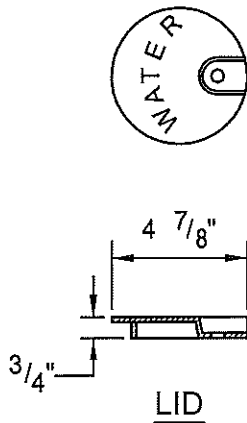
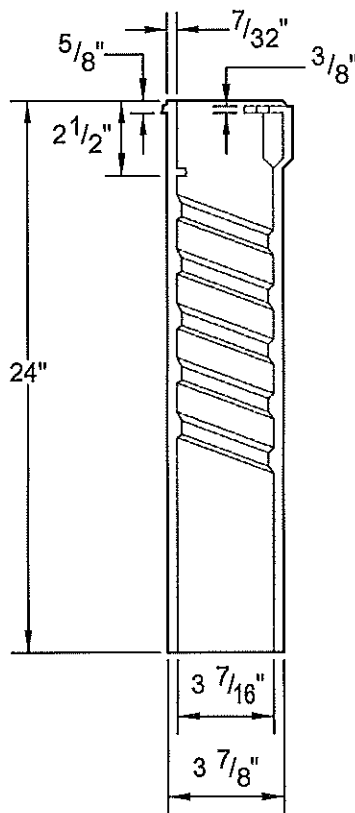


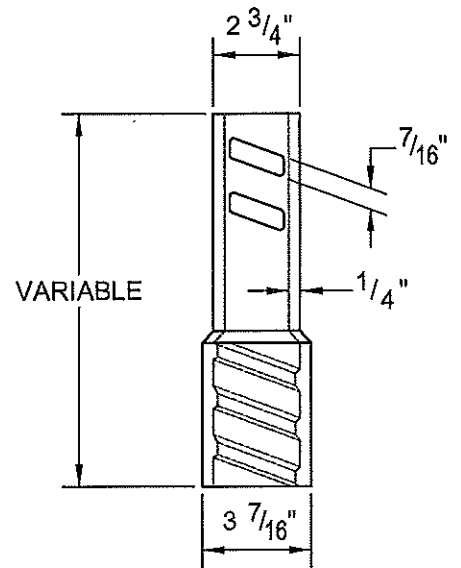
**BOTTOM**  
(22 Pounds)



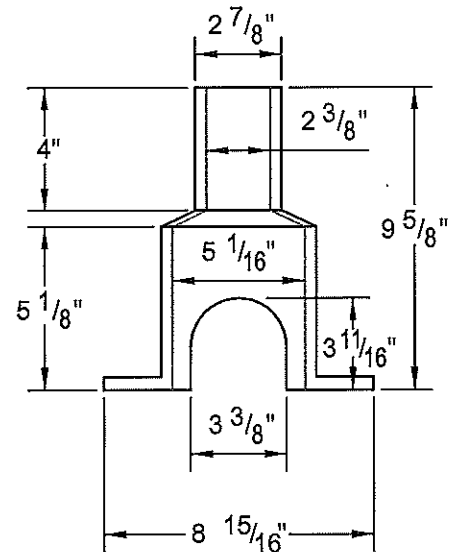
**LID**



**TOP**  
(19 Pounds)



**EXTENSION**  
(9" - 7 Pounds)  
(16" - 12 Pounds)  
(28" - 17 Pounds)  
(30" - 19 Pounds)



**ENLARGED BASE**  
(8 Pounds)

L-1001.Dwg Revision Date: 1/2/13

CITY OF COLUMBUS  
DEPARTMENT OF PUBLIC UTILITIES  
DIVISION OF WATER

APPROVED:  
*RC Westerfield* 5-14-13  
ADMINISTRATOR DATE

STANDARD DETAIL  
TYPICAL CURB BOX

