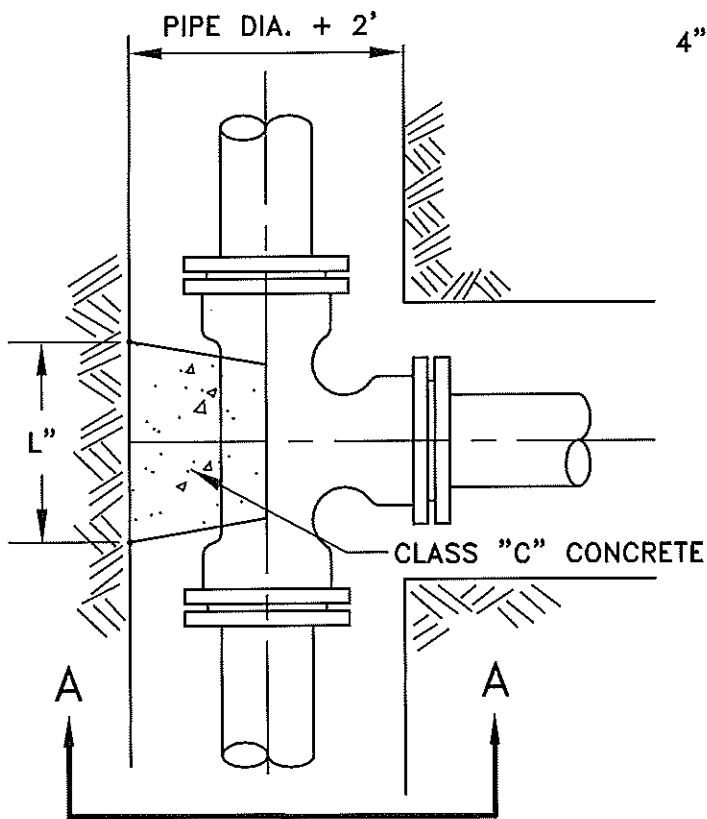
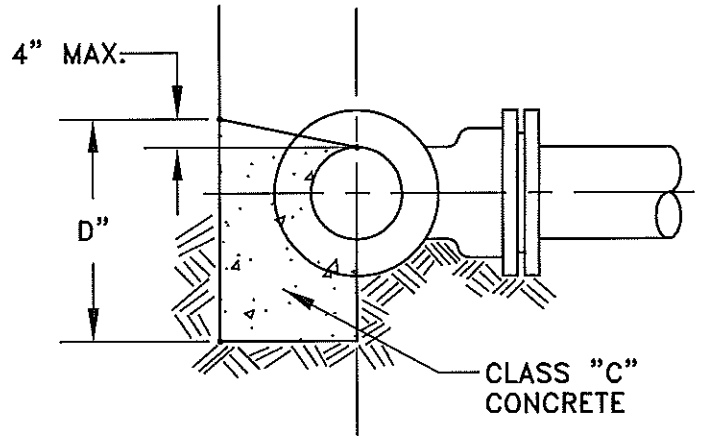


R U N	BRANCH																								
	3"			4"			6"			8"			12"			16"			20"			24"			
	L"	D"	Vc.f.	L"	D"	Vc.f.	L"	D"	Vc.f.	L"	D"	Vc.f.	L"	D"	Vc.f.	L"	D"	Vc.f.	L"	D"	Vc.f.	L"	D"	Vc.f.	
3"	12	5	0.5																						
4"	10	6	0.5	11	8	0.8																			
6"	9	7	0.5	11	8	0.8	18	12	1.9																
8"	8	8	0.5	10	9	0.7	18	12	1.9	23	16	3.5													
12"	6	12	0.6	8	12	0.8	18	12	1.9	23	16	3.5	38	22	8.7										
16"							14	16	2.0	20	18	3.3	36	23	8.7	49	30	13.6							
20"							11	20	1.9	18	20	3.3	35	24	8.7	46	32	13.6	60	38	26.5				
24"							9	24	1.9	15	24	3.3	30	28	8.7	42	36	14.0	54	42	26.3	68	48	45.4	

STEEL WILL BE USED AS REQUIRED BY THE ENGINEER



PLAN VIEW



SECTION A-A

NOTES:

1. BACKER DESIGNED FOR 3000 PSF SOIL BEARING.
2. CONCRETE TO BE PLACED AGAINST UNDISTURBED EARTH.
3. PROVIDE CLEARANCE FOR REMOVAL OF BOLTS.

L-6312.Dwg Revision Date: 1/2/13

CITY OF COLUMBUS
DEPARTMENT OF PUBLIC UTILITIES
DIVISION OF WATER

APPROVED:
R.C. Westerfield 5-14-13
ADMINISTRATOR DATE

STANDARD DETAIL
BACKING FOR TEES

