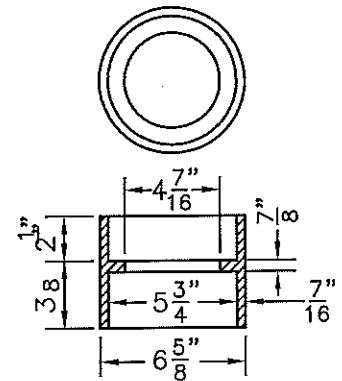
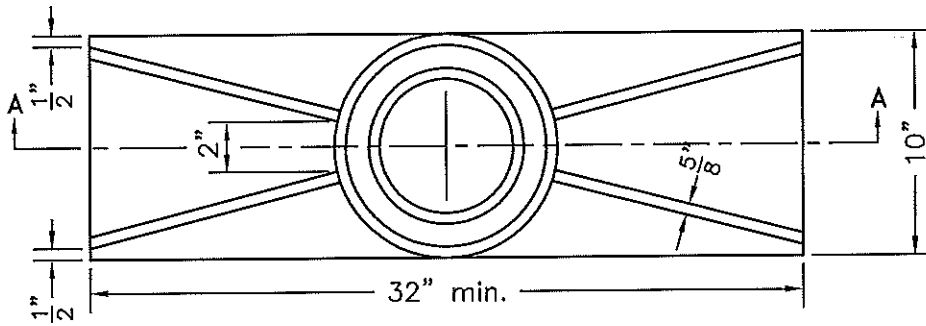


NOTE:

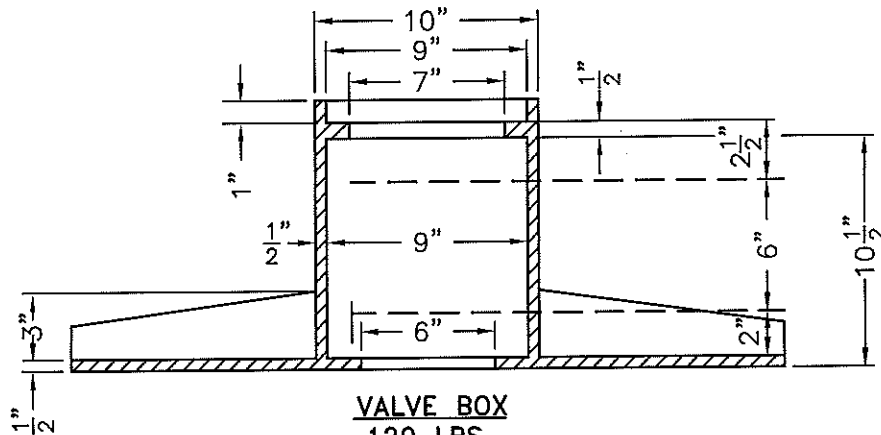
AVERAGE WEIGHTS TO NEAREST EVEN LB. CALCULATED USING 0.26 LB/CU. IN.

NOTE:

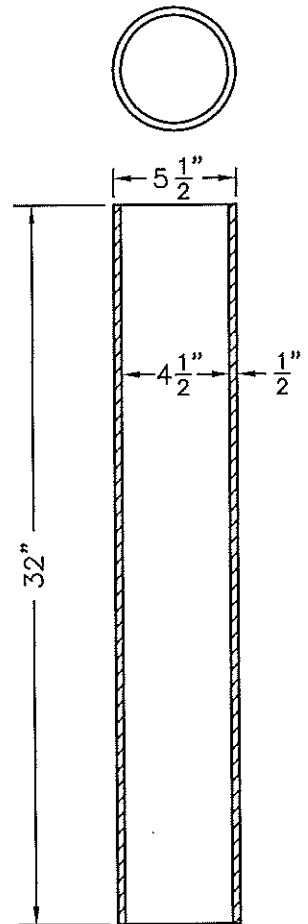
NO MORE THAN ONE VALVE STEM SLEEVE PERMITTED PER VALVE SETTING.



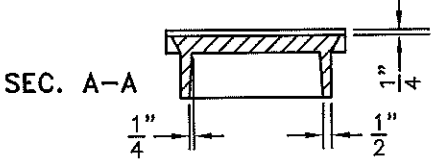
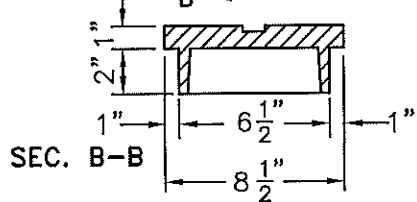
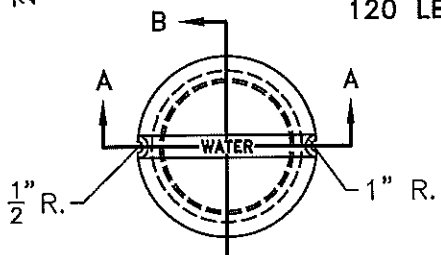
VALVE STEM SLEEVE
14 LBS.



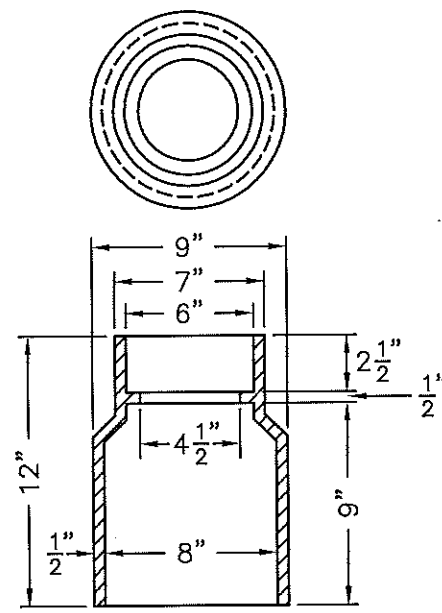
VALVE BOX
120 LBS.



VALVE STEM
65 LBS.
(or 5" C.I. Pipe-ASA022)



VALVE BOX LID
17 LBS.



VALVE BOX BASE
41 LBS.

L-6316a.Dwg Revision Date: 1/2/13

CITY OF COLUMBUS
DEPARTMENT OF PUBLIC UTILITIES
DIVISION OF WATER

APPROVED:
R.C. Westerfall
ADMINISTRATOR

5-14-13
DATE

STANDARD DETAIL
COLUMBUS STANDARD
HEAVY DUTY VALVE BOX

