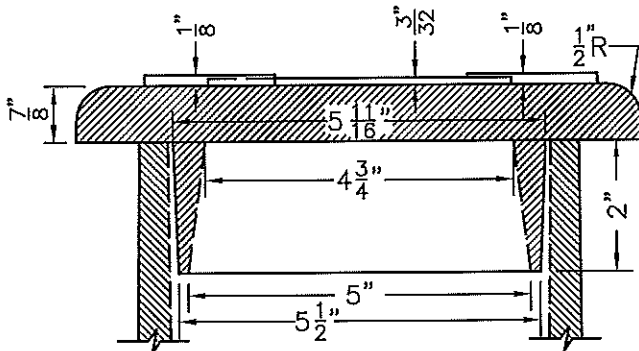
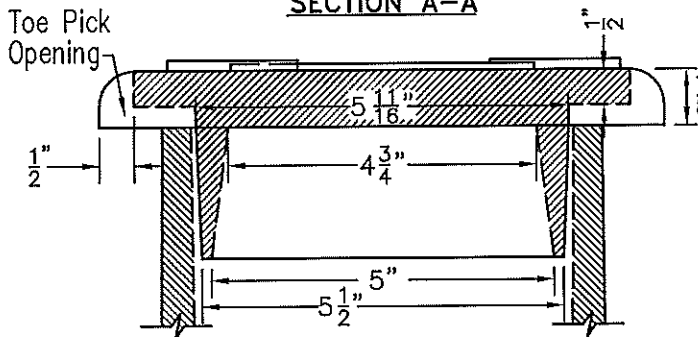


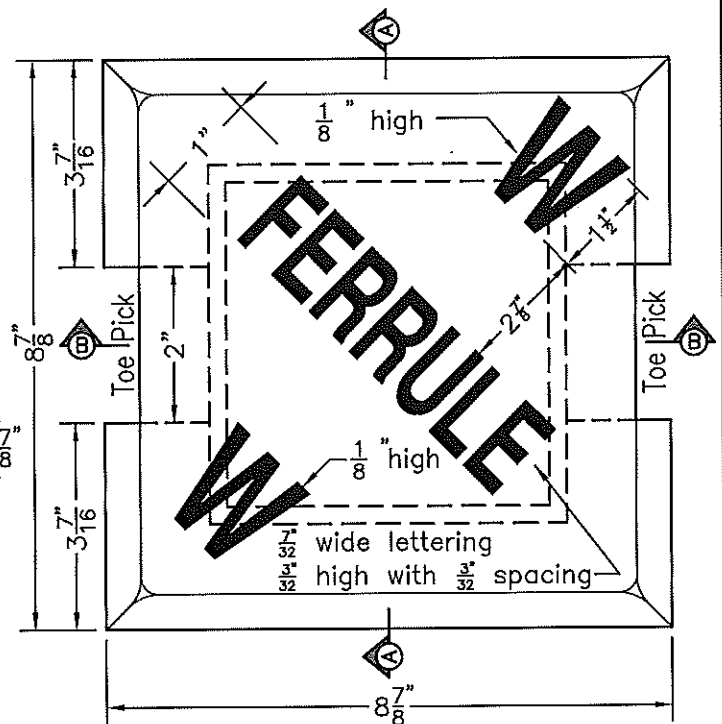
FERRULE VALVE BOX - 54 LBS.



SECTION A-A



SECTION B-B



FERRULE VALVE BOX COVER - 22 LBS.

CITY OF COLUMBUS
DEPARTMENT OF PUBLIC UTILITIES
DIVISION OF WATER

APPROVED:

RC Westfield
ADMINISTRATOR

5-15-13
DATE

STANDARD DETAIL
C.I. FERRULE BOX
AND COVER

