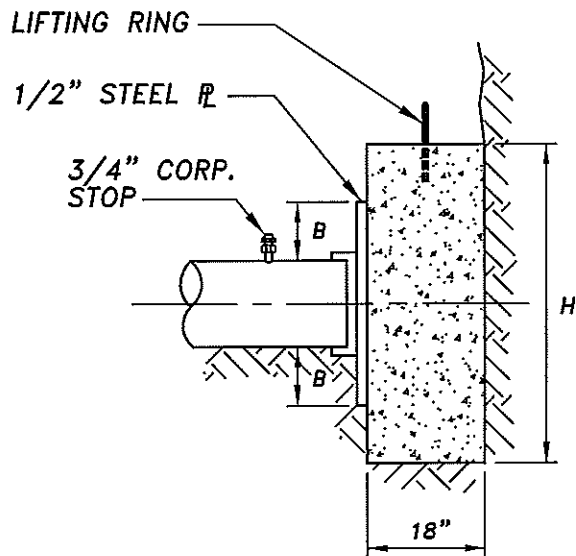
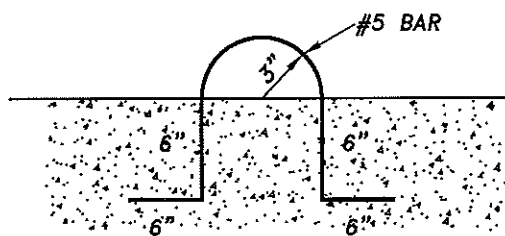


PLAN VIEW



SECTION A-A

PIPE DIAMETER (D)	H	B	L	VOLUME CU-FT
3"	5"	1"	10'	1.43
4"	6"	1"	10'	1.76
6"	8"	1"	10'	2.52
8"	12"	1"	10'	4.00
12"	23"	3"	18'	8.64
16"	37"	3"	18'	15.39



LIFT RING DETAIL

NOTES:

1. BACKER DESIGNED FOR 3000 PSF SOIL BEARING.
2. END OF PIPE CAPPED OR PLUGGED.
3. GREASE STEEL PLATE WHERE IN CONTACT WITH CONCRETE BACKER.
4. PLACE CONCRETE AGAINST UNDISTURBED SOIL.
5. THOROUGHLY COMPACT BACKFILL BETWEEN VALVE AND END OF PIPE.
6. FOR WATER LINES 20" AND GREATER, A THRUST RESTRAINT SYSTEM FOR DEAD END PIPE MUST BE DESIGNED BASED UPON EXISTING SITE CONDITIONS AND PROJECT REQUIREMENTS. DESIGN DRAWINGS AND CALCULATIONS SHALL BE PREPARED BY A PROFESSIONAL ENGINEER AND BE SUBMITTED TO DOW FOR REVIEW.

L-7001.Dwg Revision Date: 1/11/13

CITY OF COLUMBUS DEPARTMENT OF PUBLIC UTILITIES DIVISION OF WATER	STANDARD DETAIL THRUST BLOCK DETAIL END OF PIPE	
APPROVED:  ADMINISTRATOR	5-16-13 DATE	