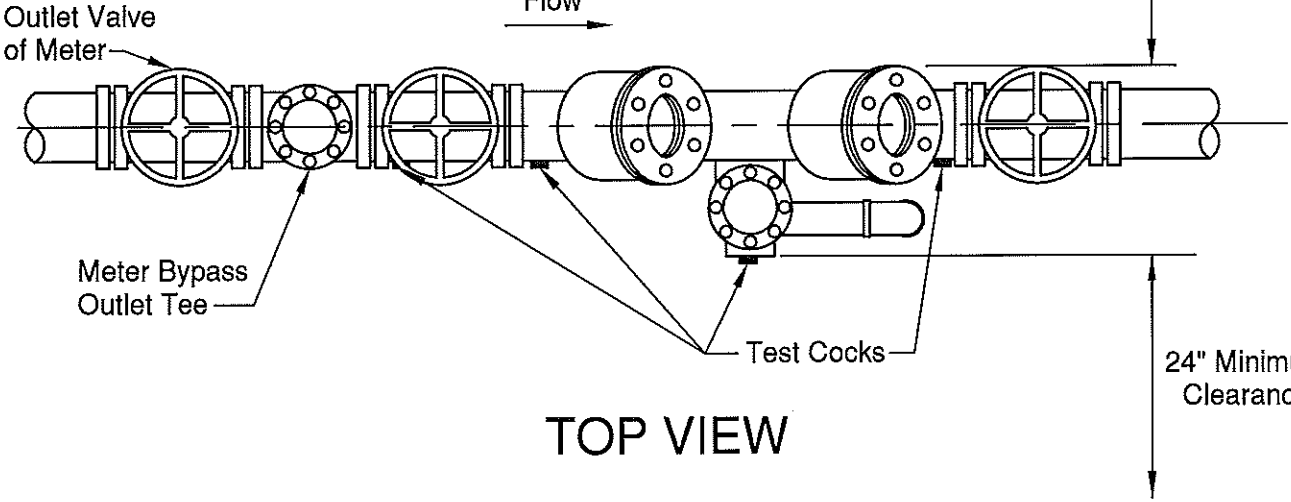
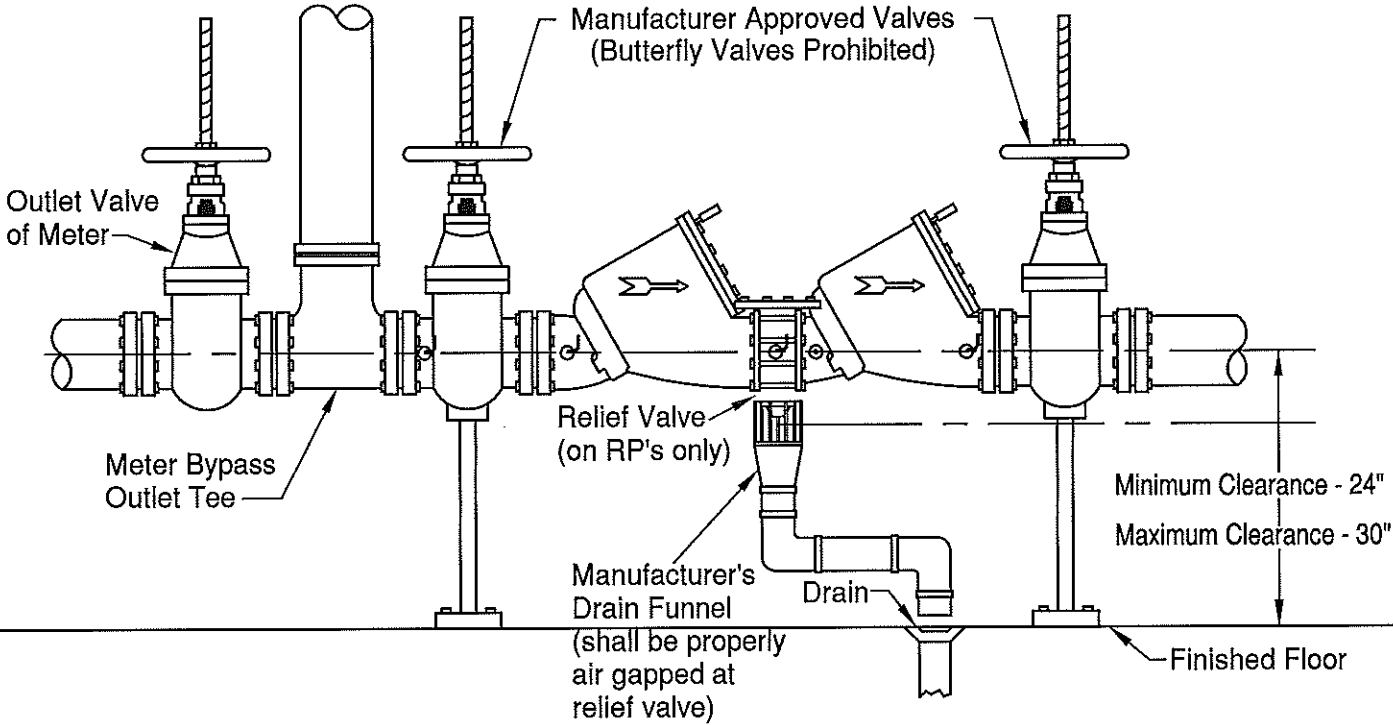


Installation shall follow "L-9002B".



TOP VIEW



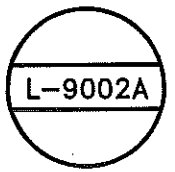
SIDE VIEW

CITY OF COLUMBUS
DEPARTMENT OF PUBLIC UTILITIES
DIVISION OF WATER

APPROVED:
R.C. Westerfield 5-16-13
ADMINISTRATOR DATE

STANDARD DETAIL
BACKFLOW PREVENTER
SETTING

(FOR DOUBLE CHECK & REDUCED PRESSURE ASSEMBLIES)



L-9002A.Dwg. Revision Date: 4/24/13