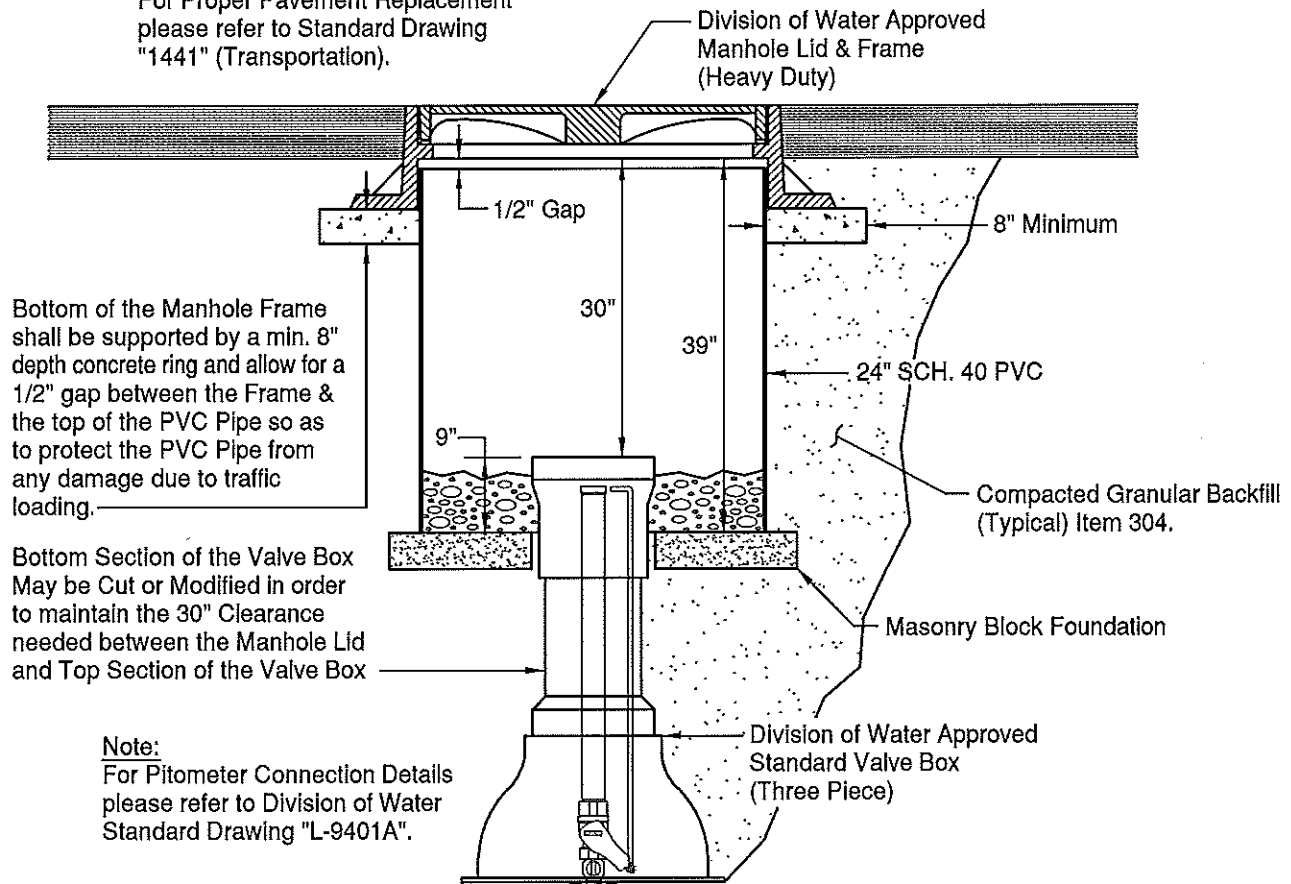


Note:
For Proper Pavement Replacement
please refer to Standard Drawing
"1441" (Transportation).

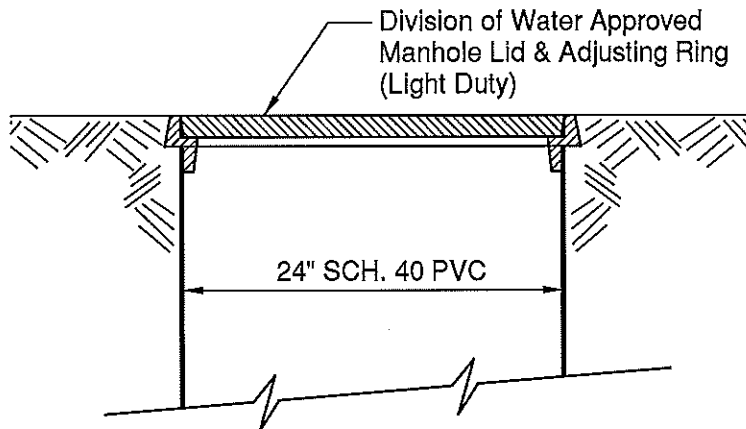


Bottom of the Manhole Frame shall be supported by a min. 8" depth concrete ring and allow for a 1/2" gap between the Frame & the top of the PVC Pipe so as to protect the PVC Pipe from any damage due to traffic loading.

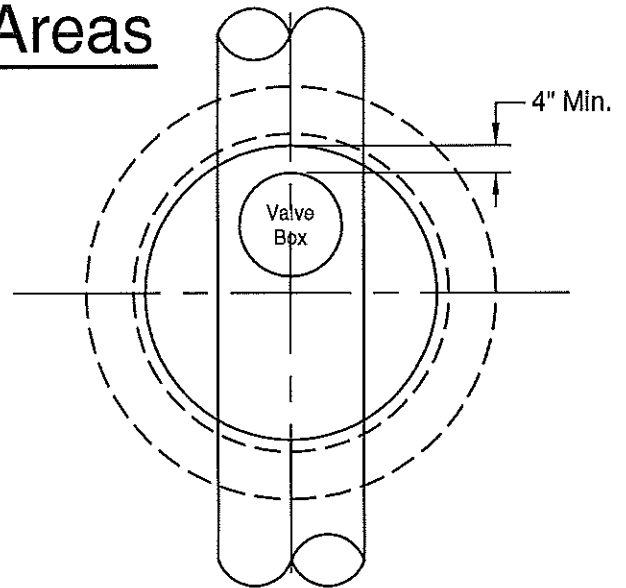
Bottom Section of the Valve Box May be Cut or Modified in order to maintain the 30" Clearance needed between the Manhole Lid and Top Section of the Valve Box

Note:
For Pitometer Connection Details
please refer to Division of Water
Standard Drawing "L-9401A".

In Traveled Areas



Outside Traveled Areas



Plan View

CITY OF COLUMBUS
DEPARTMENT OF PUBLIC UTILITIES
DIVISION OF WATER

APPROVED:
R.C. Westerfield 5-16-13
ADMINISTRATOR DATE

STANDARD DETAIL
MANHOLE SET-UP FOR
PITOMETER CONNECTIONS

