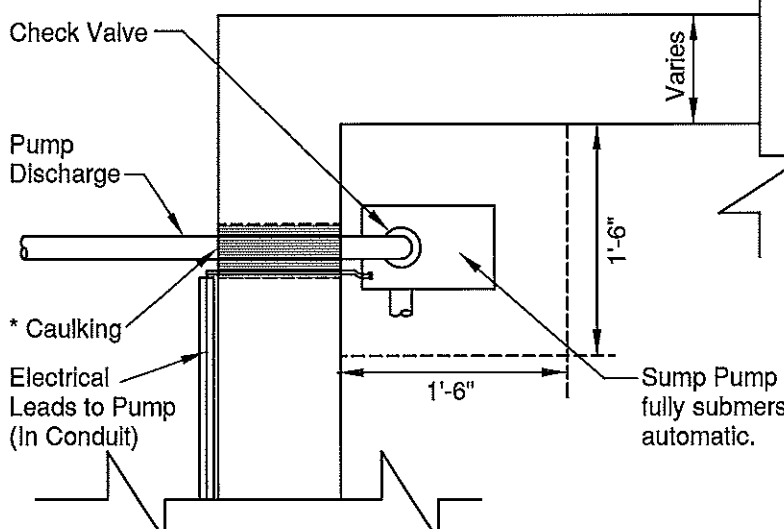


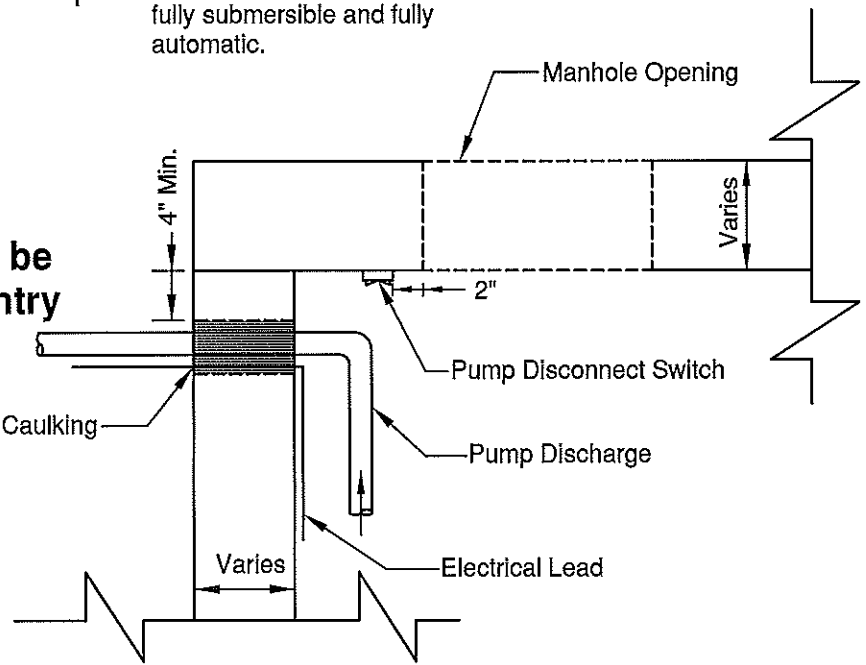
NOTE:
Sump Pump shall be set in a position clear of Manhole steps.



NOTE:
Piping or Electrical Leads shall not be placed in the Manhole Opening.

NOTE:
The length and direction of Pump Discharge Pipe shall be as required to prevent re-entry of discharge into the Pit.

* Opening shall be sealed after installation of piping and Electrical Leads.



NOTE:
Use of a Sump Pump Requires Prior Expressed Approval from the Division of Water Distribution Engineering Office.

L-9402.Dwg Revision Date: 3/4/13

CITY OF COLUMBUS DEPARTMENT OF PUBLIC UTILITIES DIVISION OF WATER	
APPROVED: <i>R.C. Westerfield</i> ADMINISTRATOR	5-16-13 DATE

STANDARD DETAIL
TYPICAL SUMP PUMP
SETTING

L-9402