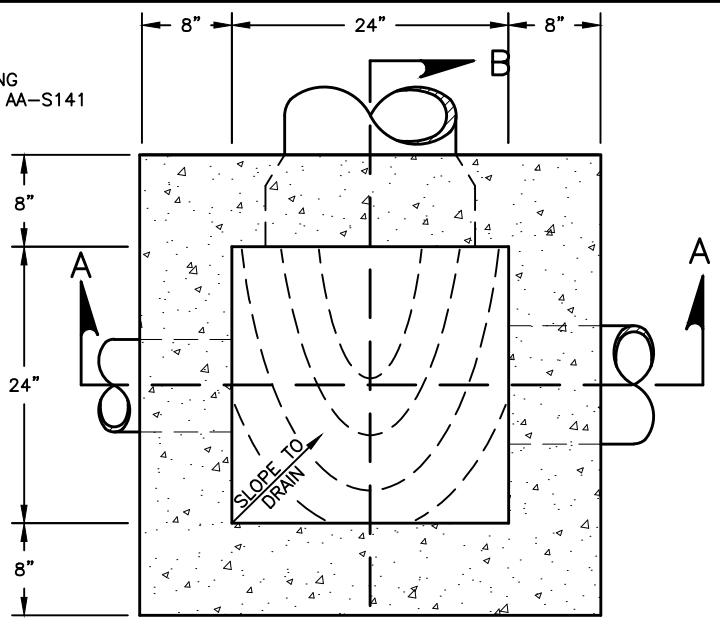
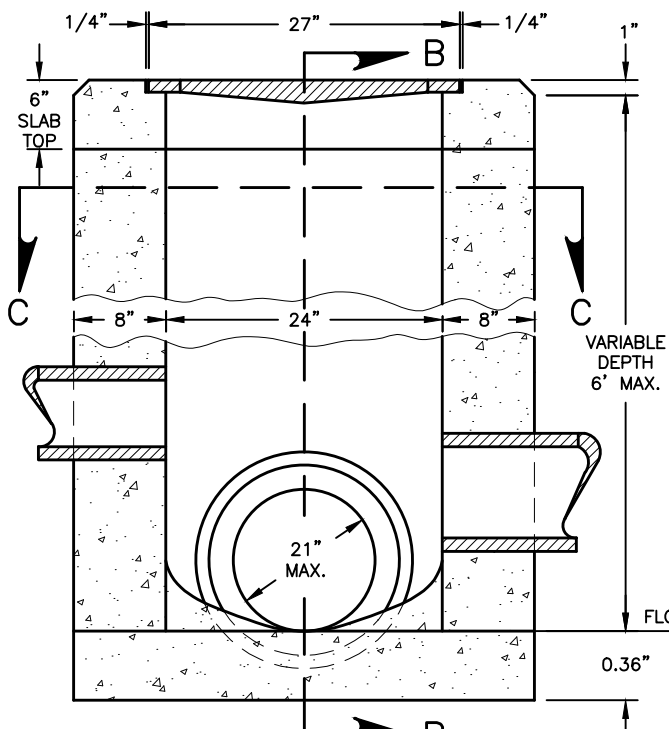


FRAME AND GRATING
PER AA-S139 OR AA-S141

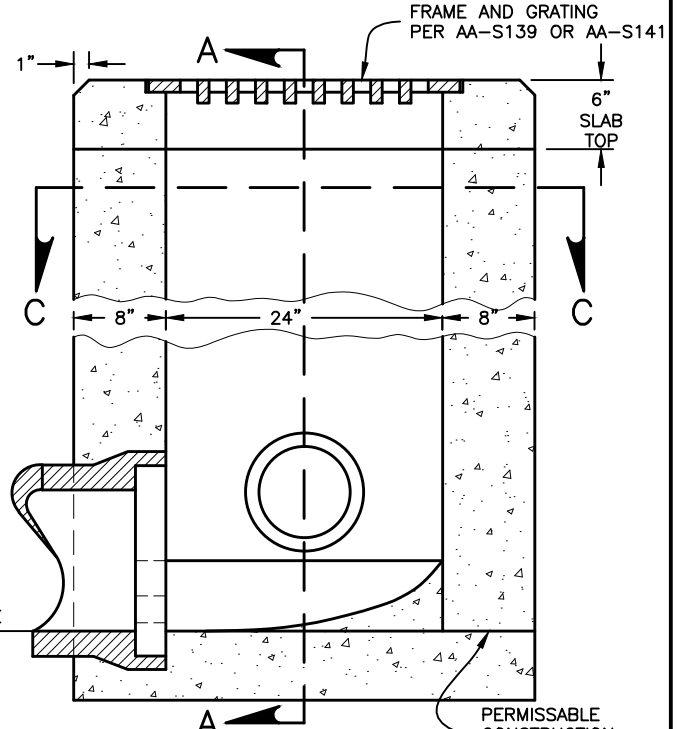


GRATE-PLAN VIEW

SECTION C-C



SECTION A-A



SECTION B-B

NOTES:

1. **WALLS:** CAST-IN-PLACE UNITS SHALL HAVE A NOMINAL THICKNESS OF 8" AND MIN. THICKNESS OF 6". PRECAST UNITS SHALL BE IN ACCORDANCE WITH ASTM C913, SHALL HAVE A MIN. WALL THICKNESS OF 6" AND SHALL BE REINFORCED SUFFICIENTLY TO PERMIT SHIPPING AND HANDLING WITHOUT DAMAGE.
2. **CONCRETE:** CAST-IN-PLACE CONC. IS TO BE CLASS "C". PRECAST CONC. SHALL MEET REQUIREMENTS OF CMS 706.13 AND BE MARKED WITH CATCH BASIN NUMBER.
3. **PRECAST BASE:** IF A PRECAST BASE IS USED IT SHALL BE PLACED DEEP ENOUGH SO THAT THE TOP 6" CAN BE ADJUSTED TO PROVIDE THE GRATE ELEVATION SPECIFIED IN PLANS OR TO ALLOW POSITIVE DRAINAGE.
4. **MINIMUM DEPTH:** MINIMUM DEPTH OF AA-S133A SHALL BE THE OUTSIDE DIA. (O.D.) OF THE OUTLET PIPE PLUS 4".

CITY OF COLUMBUS, OHIO
DEPARTMENT OF PUBLIC UTILITIES
DIVISION OF SEWERAGE & DRAINAGE

STANDARD CATCH BASIN
(21" DIAMETER AND
SMALLER PIPE)

STANDARD DRAWING
AA-S133A

REVISED 8/8/14

SSS MANAGER

John J. Newson

PAGE

1
1