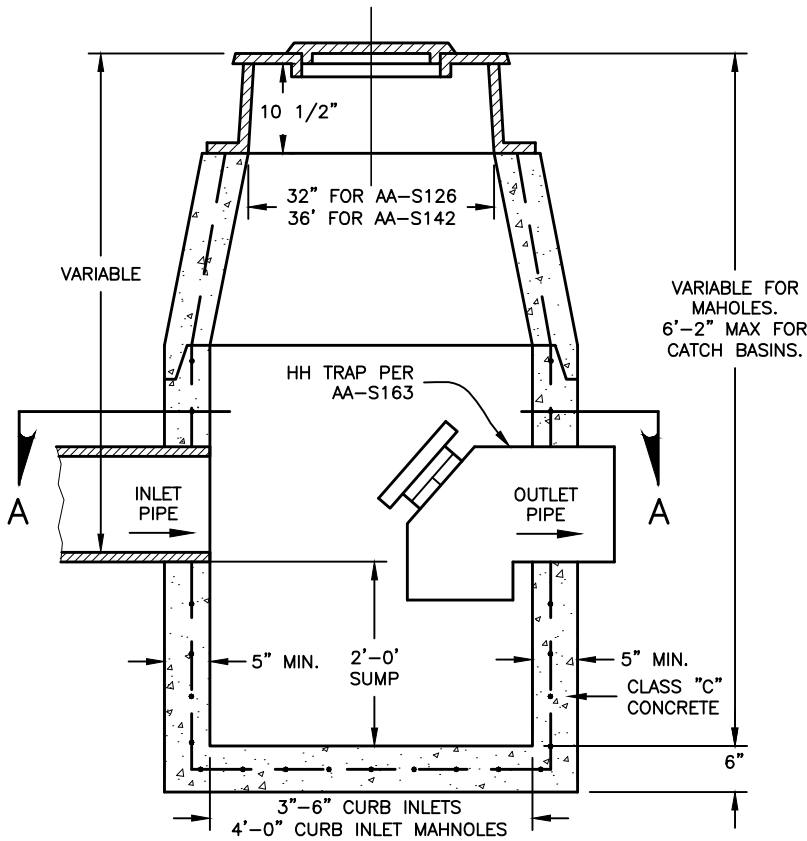


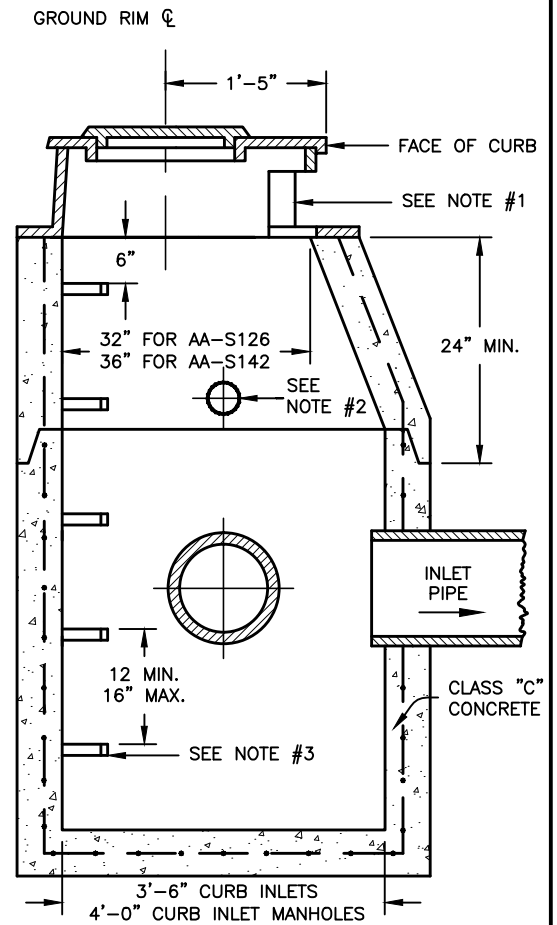
SECTION PLAN A-A

NOTES:

1. CURB INLET CASTING PER STANDARD DRAWING AA-S126, OR AA-S142.
2. PLACE STANDARD 4" CURB DRAIN STUBS 30" BELOW THE TOP OF THE CURB OR AS DIRECTED.
3. INSTALL STANDARD STEPS PER AA-S119.
4. MANHOLE SHALL BE IN ACCORDANCE WITH ASTM C478.
5. PRECAST WALLS SHALL HAVE A 5" MIN. THICKNESS AND BE SUFFICIENTLY REINFORCED TO PERMIT SHIPPING AND HANDLING WITHOUT DAMAGE.



SECTION PLAN B-B



SECTION PLAN C-C

CITY OF COLUMBUS, OHIO
 DEPARTMENT OF PUBLIC UTILITIES
 DIVISION OF SEWERAGE & DRAINAGE

John J. Newson

SSES MANAGER

CURB INLET
 & CURB INLET MANHOLE
 WITH H-H TRAP
 (COMBINED SEWERS)

STANDARD DRAWING
 AA-S122

REVISED 7/9/12

PAGE

1 / 1