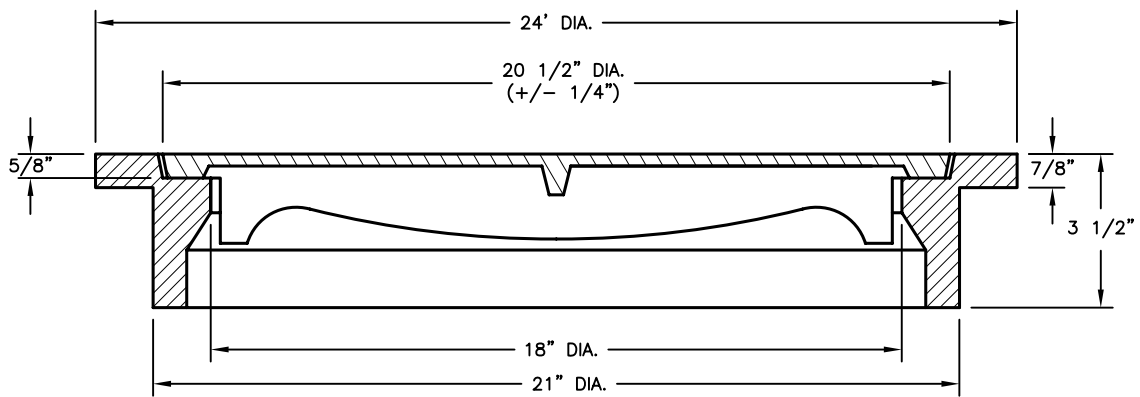




PLAN



SECTION A-A

PRE-APPROVED CASTINGS:

EJ NO. - 3015
NEENAH NO. - 6012

NOTES:

1. SHALL MEET REQUIREMENTS OF 604.02.
2. APPROXIMATE WEIGHTS: FRAME = 61LBS.
LID = 37LBS.

CITY OF COLUMBUS, OHIO
DEPARTMENT OF PUBLIC UTILITIES
DIVISION OF SEWERAGE & DRAINAGE

John J. Newson

SSES MANAGER

FRAME AND COVER
FOR 48" CATCH BASIN &
42" & 60" CURB INLETS

STANDARD DRAWING
AA-S127

REVISED 12/6/13

PAGE

1

1