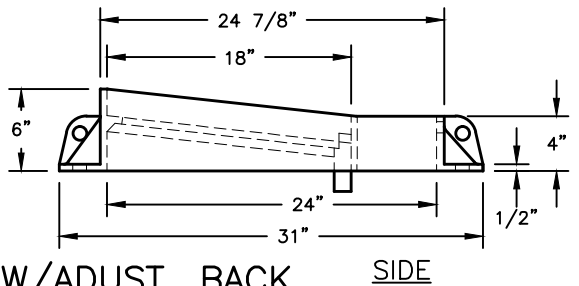
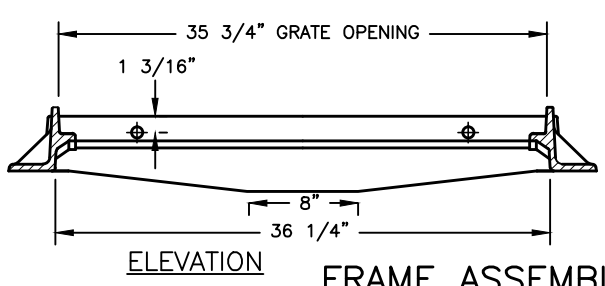
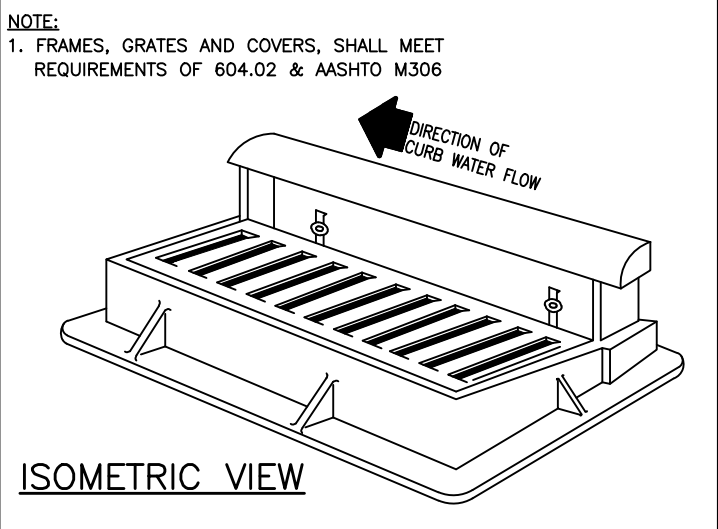
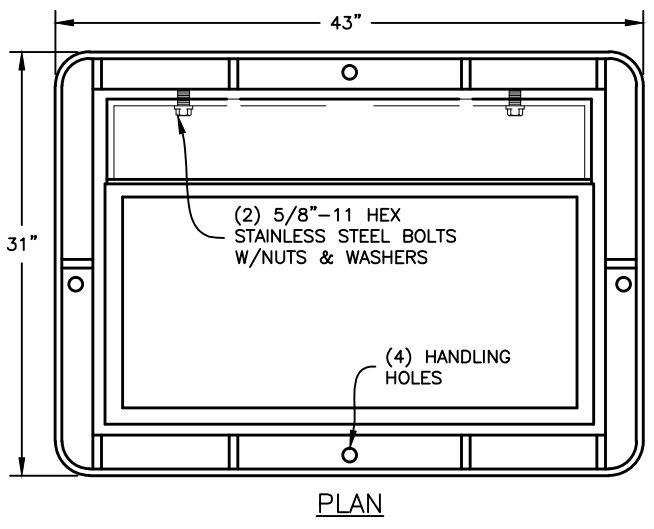


**STANDARD CATCH BASIN
 ADJUSTABLE BACK**

NOTE:
 APPROX. WEIGHT = 79LBS.
 1. CURB ADJUSTMENT 6" TO 11".
 2. FOR GRANITE OR OTHER SQUARE CURB SECTIONS A SQUARE BACK CASTING WITH AN ENVIRONMENTAL NOTICE OR MOUNT PLATE SHALL BE USED.



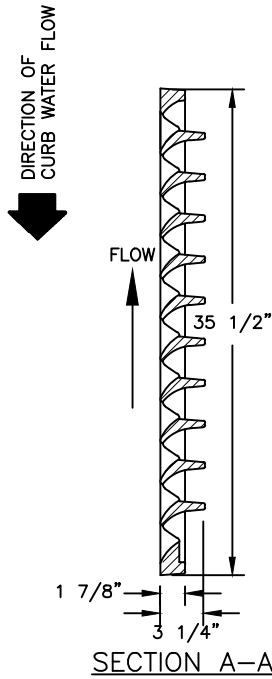
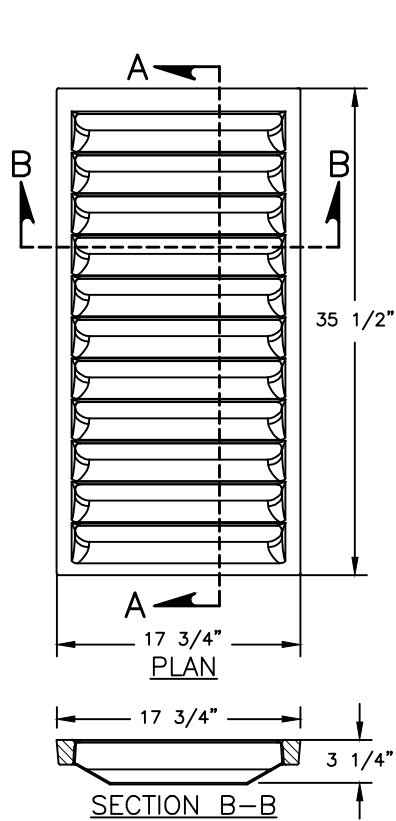
FRAME ASSEMBLY W/ADJUST. BACK
 APPROX. WEIGHT = 198LBS. (FRAME ONLY)

CITY OF COLUMBUS, OHIO
 DEPARTMENT OF PUBLIC UTILITIES
 DIVISION OF SEWERAGE & DRAINAGE

CAST IRON FRAME
 AND GRATE FOR CURB
 & GUTTER INLET
 (HEAVY DUTY)

STANDARD DRAWING
 AA-S128
 REVISED 8/8/14
 PAGE 1/2

SSS MANAGER *John J. Newson*



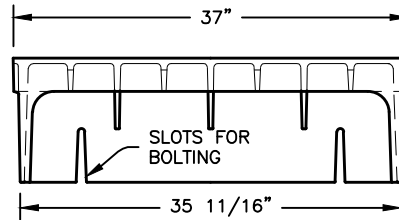
PRE-APPROVED CASTINGS:

EJ NO. - 7031, 7032 WITH Z1 FRAME, M4 GRATE & T6 BACK

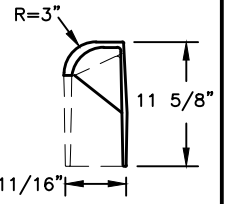
NEENAH NO. - 3295-2 WITH TYPE V GRATE OR
(R-32900022 TYPE "N" SQUARE BACK)



TOP



ELEVATION



SECTION

**STANDARD CATCH BASIN
ADJUSTABLE BACK**

APPROX. WEIGHT = 79LBS.

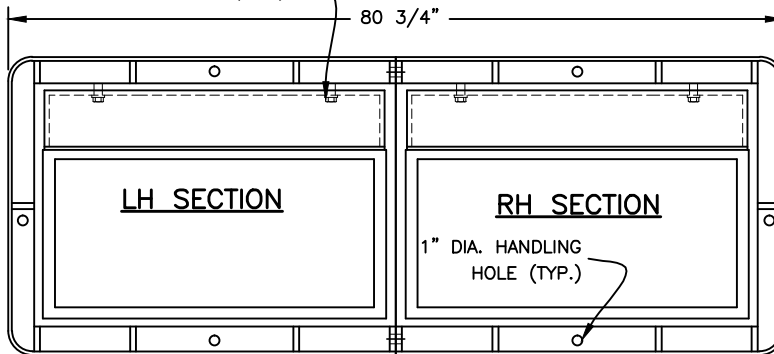
NOTE:

1. CURB ADJUSTMENT 6" TO 11".
2. FOR GRANITE OR OTHER SQUARE CURB SECTIONS A SQUARE BACK CASTING WITH AN ENVIRONMENTAL NOTICE OR MOUNT PLATE SHALL BE USED.

CURB GRATING

APPROX. WEIGHT = 138LBS.

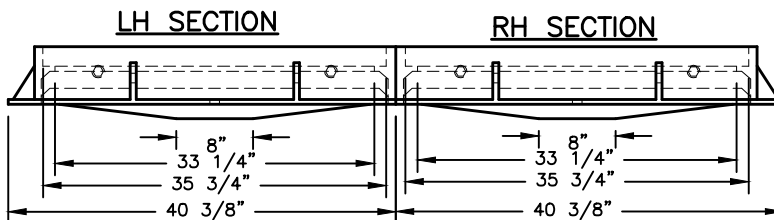
5/8"-HEX STAINLESS STEEL
WITH NUTS & WASHERS (TYP.)



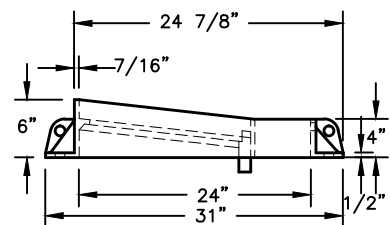
PLAN

NOTES:

1. FRAMES, GRATES & COVERS, SHALL MEET REQUIREMENTS OF 604.02 & AASHTO M306.
2. SEE SHEETS AA-S125A, B, AND C FOR MULTIPLE CATCH BASIN CONFIGURATIONS.
3. LEFT, RIGHT, & CENTER FRAME SECTIONS PROVIDED BY MANUFACTURER.



**ELEVATION
DOUBLE SECTION**



SIDE

CITY OF COLUMBUS, OHIO
DEPARTMENT OF PUBLIC UTILITIES
DIVISION OF SEWERAGE & DRAINAGE

John J. Newson

SSS MANAGER

CAST IRON FRAME
AND GRATE FOR CURB
& GUTTER INLET
(HEAVY DUTY)

STANDARD DRAWING
AA-S128

REVISED 8/8/14

PAGE

2

2